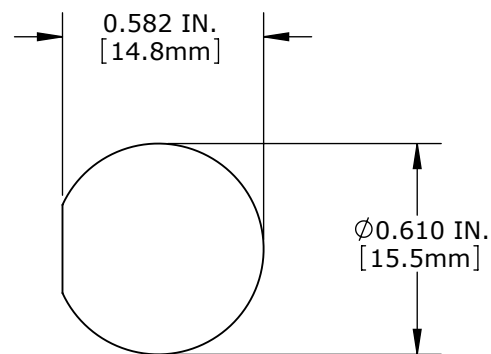
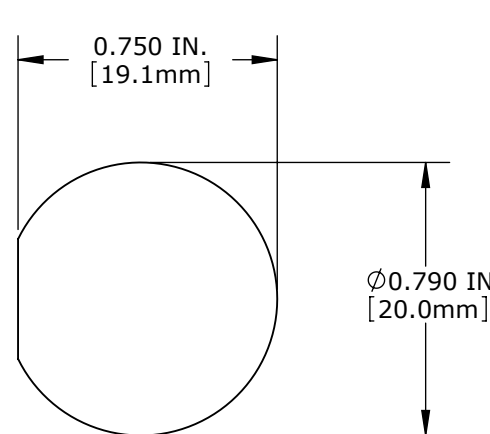


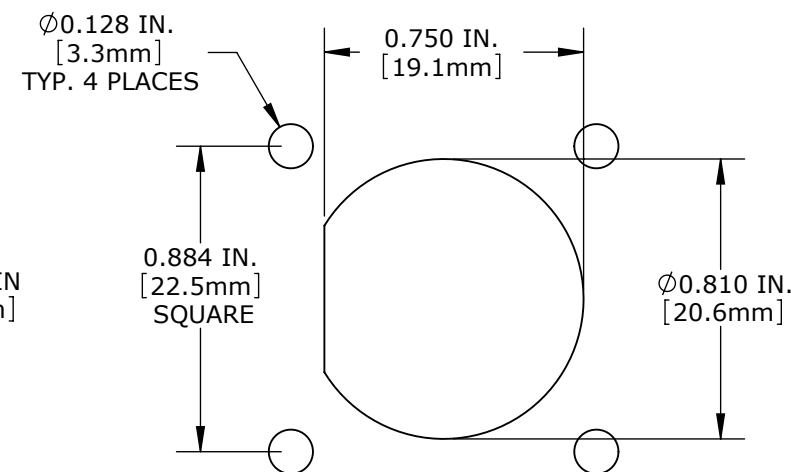
**MICRO-CON-X**



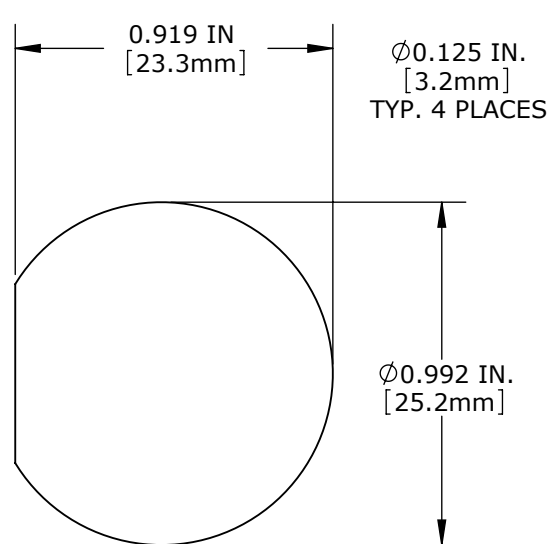
**MINI-CON-X**



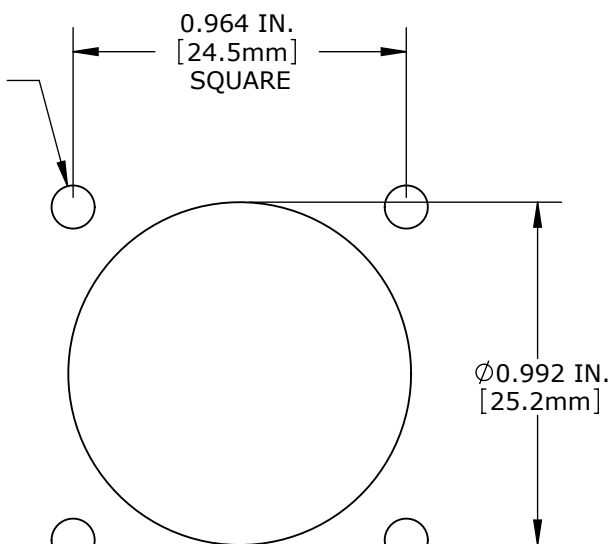
**MULTI-CON-X**



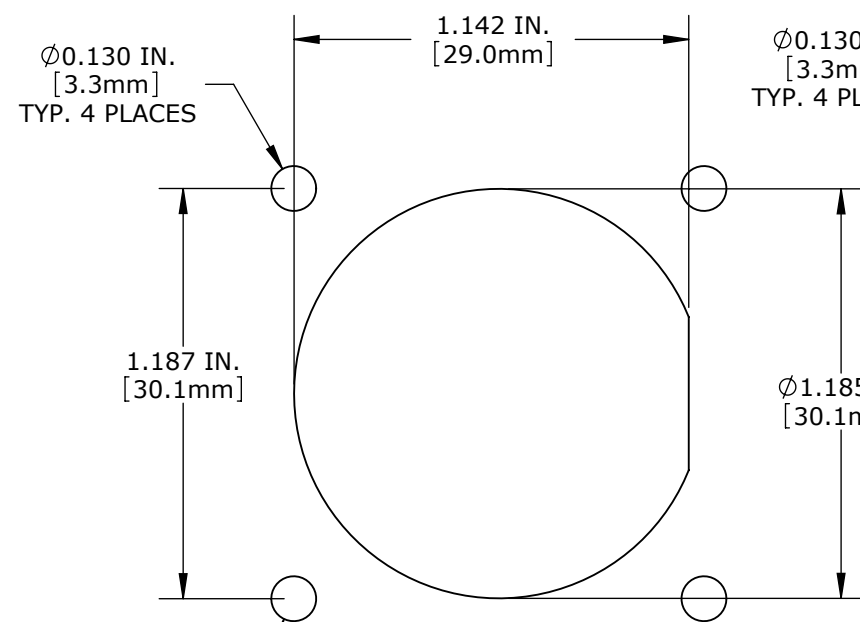
**SQUARE FLANGE**



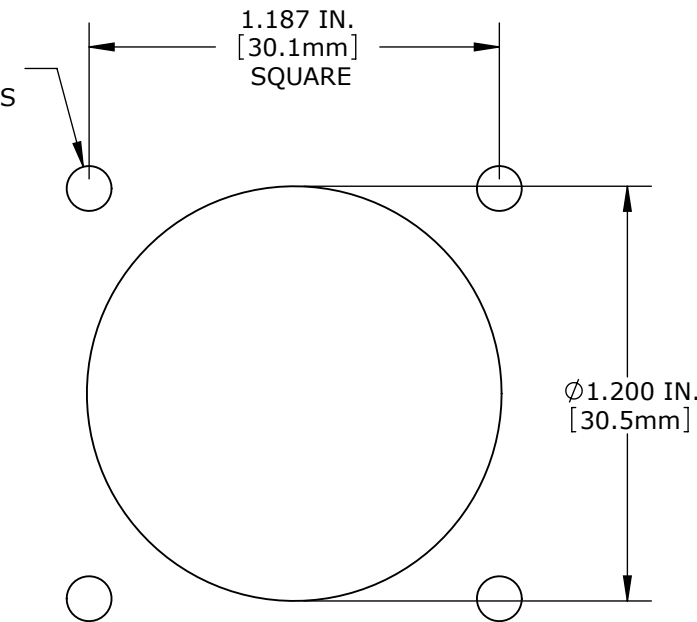
**MAXI-CON-X**



**SQUARE FLANGE**



**QUICK CONNECT**



**THREADED**

**MEGA-CON-X**

**RECOMMENDED  
PANEL CUTOUT**

TOLERANCES ±0.003 [±0.1mm]

DIMENSIONS IN BRACKET [ ] ARE METRIC.

**CUSTOMER APPROVAL**

THIS DOCUMENT CONTAINS CONFIDENTIAL INFORMATION PROPRIETARY TO CONXALL CORPORATION. ANY REPRODUCTION, DISCLOSURE, OR USE OF THIS DOCUMENT / INFORMATION IS EXPRESSLY PROHIBITED UNLESS AUTHORIZED IN WRITING BY CONXALL CORPORATION.

APPROVED BY: \_\_\_\_\_

DATE: \_\_\_\_\_

A	AN	09-29-10	DRAWING CREATED PER DOR 10-2768KL	
REV.	INIT.	DATE	DESCRIPTION	
	AN	09-29-10	ORIG. DRAWN BY: AN DATE: 09-29-10 CHECKED BY: APPROVED BY: TITLE: PANEL CUTOUTS MICRO-CON-X, MINI-CON-X, MULTI-CON-X MAXI-CON-X & MEGA-CON-X CUSTOMER: CXA	
ALL INFORMATION ILLUSTRATED IS THE PROPERTY OF "CONXALL CORPORATION". UNAUTHORIZED DUPLICATION OR DISTRIBUTION OF THIS DOCUMENT IS PROHIBITED.			601 E. WILDWOOD VILLA PARK, IL 60181	
ALL UNITS ARE IN FEET, INCHES, FRACTION OF INCHES AND DECIMALS.				
SCALE	SIZE	SHEET	PART NUMBER: PNL CUTOUT_CONX	
NTS	B	1 OF 1	REV A	
FILE:	DIRECTORY:	- CRITICAL CHARACTERISTIC FLAG PER SPEC. XXXX		
PNL CUTOUT_CONX	SLW			