

# ERGONOMIC PENDANT SWITCH WITH CABLE

NEW PRODUCT BULLETIN 618

## FEATURES & BENEFITS

- Ergonomic design with large button and positive tactile feedback
- Less than 2 lbs of actuating force required allows for easy operation, even for physically challenged users
- Sturdy thermoplastic housing with yellow elastomer button and strain relief
- Integrated 6' cable with stripped and tinned leads (also available with high-quality overmolded plug, call factory for details)
- Double-redundant circuit offers high reliability for critical application and can also be used as two independent switching circuits
- Rated for a minimum of 100,000 Cycles

## APPLICATIONS

- Nurse call switches or infusion pumps
- Traffic control override
- Instruments and electronic controls
- Simulation or academic controllers



**Switchcraft**®



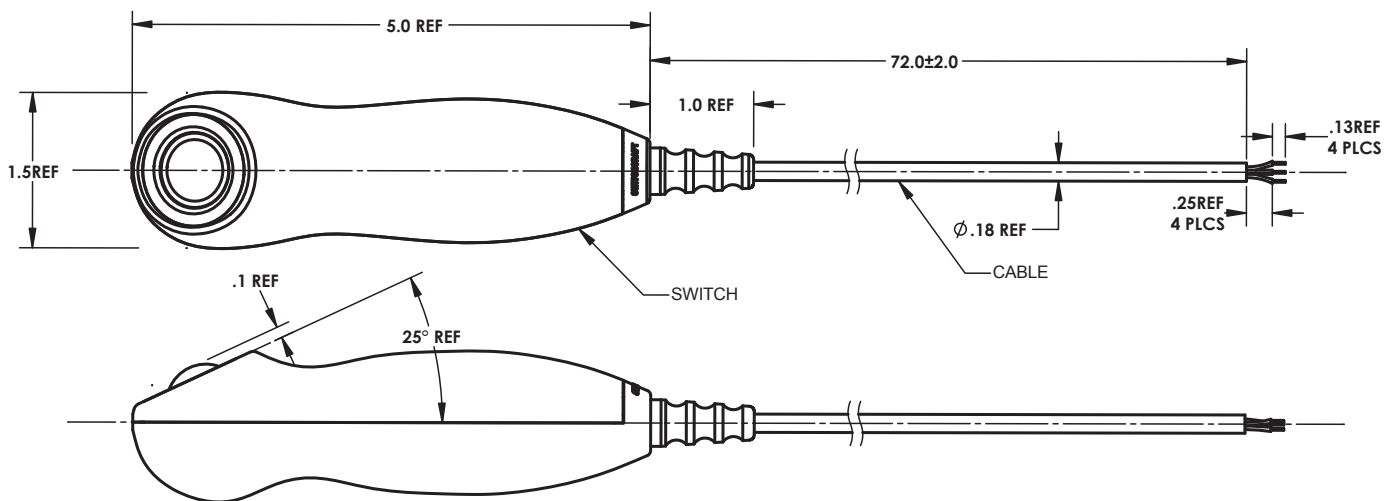
# ERGONOMIC PENDANT SWITCH WITH CABLE

## NEW PRODUCT BULLETIN 618

### PART NUMBERS

E921KA Pendant Cable Assembly, A Circuit (Normally Open)

E921KC Pendant Cable Assembly, C Circuit (Transfer)



### SPECIFICATIONS

#### SWITCH:

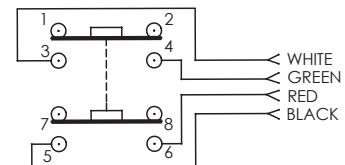
- Double pole, double throw
- Nominal key travel 0.10 inches
- Gold contact finish
- Maximum switching current: 250mA
- Maximum voltage: 120V
- Maximum power: 9 Watts AC, 5 Watts DC
- Maximum carrying current: 500mA
- Maximum contact resistance: 80mohm
- Dielectric withstanding voltage: 1,000 V AC
- Operating life: 100,000 cycles
- Operating temperature: -25°C to +75°C
- Actuating force: Less than 2 lbs

#### MATERIALS:

- Switch housing: Gray thermoplastic
- Actuating button: Yellow elastomer
- Contacts: Copper alloy, gold plated
- Strain relief: Yellow elastomer

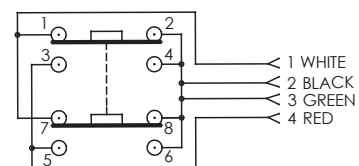
#### CABLE:

- 4 conductor
- 26 AWG Stranded
- Gray PVC Jacket
- 4.5mm OD



### WIRING DIAGRAM

E921KA



### WIRING DIAGRAM

E921KC

All dimensions are for reference only.

