

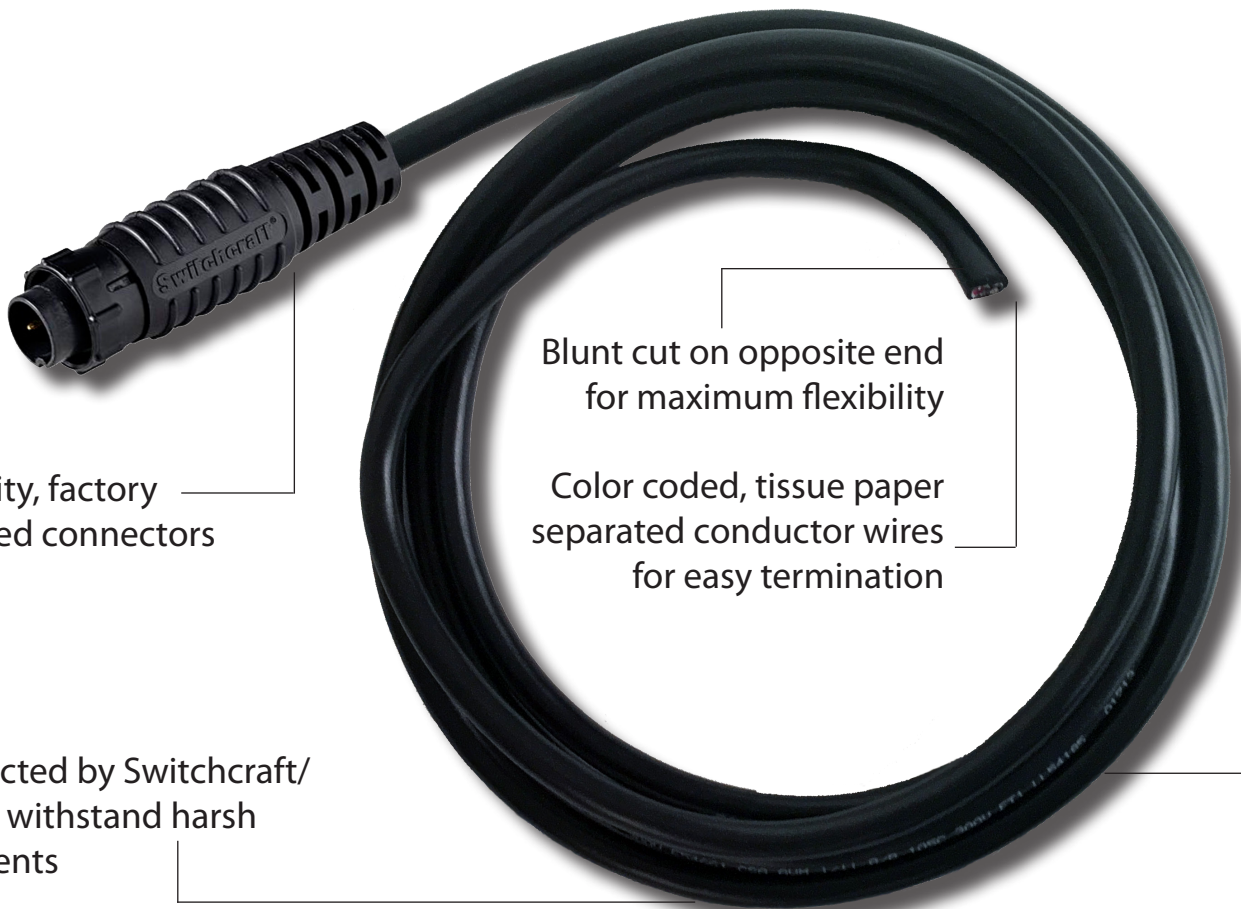
OFF-THE-SHELF
**2-METER
MOLDED CABLES**

MINI-CON-X[®] &
EN3[®] SERIES
CONNECTORS



Switchcraft[®]
CONXALL[®]

HARSH ENVIRONMENT CONNECTIVITY SOLUTIONS



High quality, factory overmolded connectors

Blunt cut on opposite end for maximum flexibility

Color coded, tissue paper separated conductor wires for easy termination

Cable selected by Switchcraft/Conxall to withstand harsh environments

Standard 2-Meter (79") Lengths

FEATURES

- High quality molded cables now available as a standard, off-the-shelf item
- Single ended cable with blunt cut
- Straight or right angle connector options
- 2, 3, 4, 5, 6, or 8 conductor versions available
- 16 AWG or 20 AWG options
- Made in the USA
- Molded 360° Flex Relief
- Call factory for custom lengths and other configurable options
- See drawings for detailed specifications

CABLE SPECIFICATIONS

- Rated for 300 V
- -30° C TO +105° C temperature rating
- Jacket Material: 30 mils PVC, black
- Conductor Insulation: 15 mils PVC
- UV & water resistant
- UL Recognized, CSA Certified, and RoHS Compliant

DETAILS AND AVAILABLE PART NUMBERS



EN3®



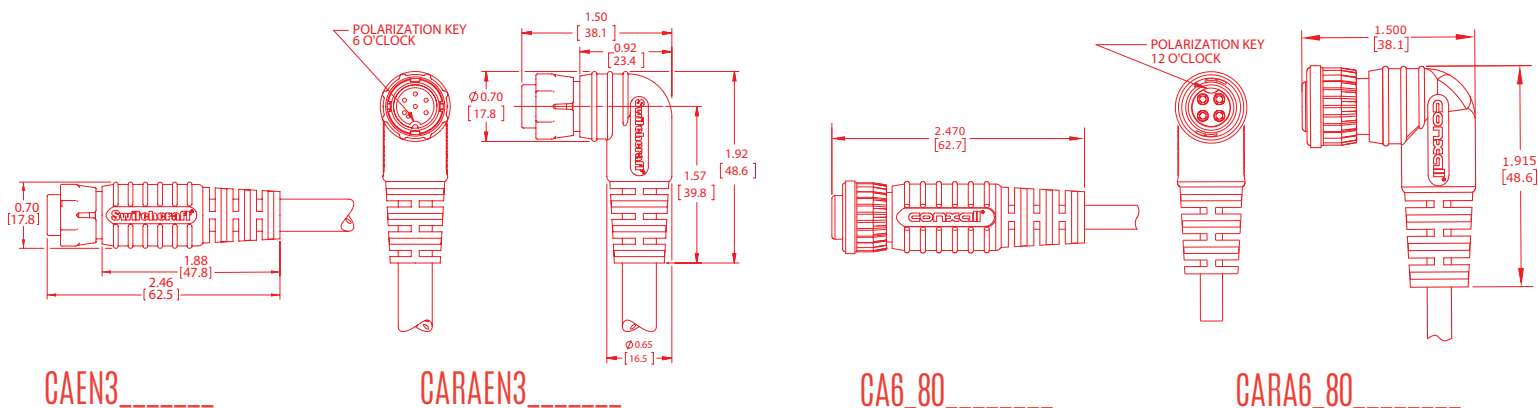
Mini-Con-X®

Seal Rating	IP68, integrated O-ring	IP67, separate O-ring
Voltage Rating	250V, AC/DC	600V, AC/DC
Life Rating	600 Insertion/Withdrawal Cycles	300 Insertion/Withdrawal Cycles
UV Resistance	UL F1 Rated Materials	Not Rated (Custom UV rated cables available, call factory)

Configuration	EN3® Part Number	Mini-Con-X® Part Number
Straight, 2-pos, Male, #20	CAEN3C2M07990	CA62802P07990
Straight, 2-pos, Female, #20	CAEN3C2F07990	CA62802S07990
Straight, 2-pos, Male, #16	CAEN3C2M1607990	CA63802P07990
Straight, 2-pos, Female, #16	CAEN3C2F1607990	CA63802S07990
Straight, 3-pos, Male, #20	CAEN3C3M07990	CA62803P07990
Straight, 3-pos, Female, #20	CAEN3C3F07990	CA62803S07990
Straight, 3-pos, Male, #16	CAEN3C3M1607990	CA63803P07990
Straight, 3-pos, Female, #16	CAEN3C3F1607990	CA63803S07990
Straight, 4-pos, Male, #20	CAEN3C4M07990	CA62804P07990
Straight, 4-pos, Female, #20	CAEN3C4F07990	CA62804S07990
Straight, 4-pos, Male, #16	Not Available	CA63804P07990
Straight, 4-pos, Female, #16	Not Available	CA63804S07990
Straight, 5-pos, Male, #20	CAEN3C5M07990	CA62805P07990
Straight, 5-pos, Female, #20	CAEN3C5F07990	CA62805S07990
Straight, 5-pos, Female, #16	Not Available	CA63805S07990
Straight, 6-pos, Male, #20	CAEN3C6M07990	CA62806P07990
Straight, 6-pos, Female, #20	CAEN3C6F07990	CA62806S07990
Straight, 8-pos, Female, #20	CAEN3C8F07990	CA62808S07990
Right Angle, 2-pos, Male, #20	CARAEN3C2M07990	CARA62802P07990
Right Angle, 2-pos, Female, #20	CARAEN3C2F07990	CARA62802S07990
Right Angle, 2-pos, Male, #16	CARAEN3C2M1607990	CARA63802P07990
Right Angle, 2-pos, Female, #16	CARAEN3C2F1607990	CARA63802S07990
Right Angle, 3-pos, Male, #20	CARAEN3C3M07990	CARA62803P07990
Right Angle, 3-pos, Female, #20	CARAEN3C3F07990	CARA62803S07990
Right Angle, 3-pos, Male, #16	CARAEN3C3M1607990	CARA63803P07990
Right Angle, 3-pos, Female, #16	CARAEN3C3F1607990	CARA63803S07990
Right Angle, 4-pos, Male, #20	CARAEN3C4M07990	CARA62804P07990
Right Angle, 4-pos, Female, #20	CARAEN3C4F07990	CARA62804S07990
Right Angle, 4-pos, Male, #16	Not Available	CARA63804P07990
Right Angle, 4-pos, Female, #16	Not Available	CARA63804S07990
Right Angle, 5-pos, Male, #20	CARAEN3C5M07990	CARA62805P07990
Right Angle, 5-pos, Female, #20	CARAEN3C5F07990	CARA62805S07990
Right Angle, 5-pos, Female, #16	Not Available	CARA63805S07990
Right Angle, 6-pos, Male, #20	CARAEN3C6M07990	CARA62806P07990
Right Angle, 6-pos, Female, #20	CARAEN3C6F07990	CARA62806S07990
Right Angle, 8-pos, Female, #20	CARAEN3C8F07990	CARA62808S07990



CONNECTOR DIMENSIONS (Ref Only)



Mating Parts

Cable Part Number	Mating Cable-to-Cable*	Mating Panel Mount*	Cable Part Number	Mating Cable-to-Cable*	Mating Panel Mount*
CAEN3C2M07990	EN3L2FX	EN3P2FX	CA62802P07990	8282-2SG-3DC	7282-2SG-300
CAEN3C2F07990	EN3L2MX	EN3P2MX	CA62802S07990	8282-2PG-3DC	7282-2PG-300
CAEN3C2M1607990	EN3L2F16X	EN3P2F16X	CA63802P07990	8382-2SG-3DC	7382-2SG-300
CAEN3C2F1607990	EN3L2M16X	EN3P2M16X	CA63802S07990	8382-2PG-3DC	7382-2PG-300
CAEN3C3M07990	EN3L3FX	EN3P3FX	CA62803P07990	8282-3SG-3DC	7282-3SG-300
CAEN3C3F07990	EN3L3MX	EN3P3MX	CA62803S07990	8282-3PG-3DC	7282-3PG-300
CAEN3C3M1607990	EN3L3F16X	EN3P3F16X	CA63803P07990	8382-3SG-3DC	7382-3SG-300
CAEN3C3F1607990	EN3L3M16X	EN3P3M16X	CA63803S07990	8382-3PG-3DC	7382-3PG-300
CAEN3C4M07990	EN3L4FX	EN3P4FX	CA62804P07990	8282-4SG-3DC	7282-4SG-300
CAEN3C4F07990	EN3L4MX	EN3P4MX	CA62804S07990	8282-4PG-3DC	7282-4PG-300
Not Available	Not Available	Not Available	CA63804P07990	8382-4SG-3DC	7382-4SG-300
Not Available	Not Available	Not Available	CA63804S07990	8382-4PG-3DC	7382-4PG-300
CAEN3C5M07990	EN3L5FX	EN3P5FX	CA62805P07990	8282-5SG-3DC	7282-5SG-300
CAEN3C5F07990	EN3L5MX	EN3P5MX	CA62805S07990	8282-5PG-3DC	7282-5PG-300
Not Available	Not Available	Not Available	CA63805P07990	8382-5SG-3DC	7382-5SG-300
CAEN3C6M07990	EN3L6FX	EN3P6FX	CA62806P07990	8282-6SG-3DC	7282-6SG-300
CAEN3C6F07990	EN3L6MX	EN3P6MX	CA62806S07990	8282-6PG-3DC	7282-6PG-300
CAEN3C8F07990	EN3L8MX	EN3P8MX	CA62808S07990	8282-8PG-3DC	7282-8PG-300
CARAEN3C2M07990	EN3L2FX	EN3P2FX	CARA62802P07990	8282-2SG-3DC	7282-2SG-300
CARAEN3C2F07990	EN3L2MX	EN3P2MX	CARA62802S07990	8282-2PG-3DC	7282-2PG-300
CARAEN3C2M1607990	EN3L2F16X	EN3P2F16X	CARA63802P07990	8382-2SG-3DC	7382-2SG-300
CARAEN3C2F1607990	EN3L2M16X	EN3P2M16X	CARA63802S07990	8382-2PG-3DC	7382-2PG-300
CARAEN3C3M07990	EN3L3FX	EN3P3FX	CARA62803P07990	8282-3SG-3DC	7282-3SG-300
CARAEN3C3F07990	EN3L3MX	EN3P3MX	CARA62803S07990	8282-3PG-3DC	7282-3PG-300
CAEN3C3M1607990	EN3L3F16X	EN3P3F16X	CA63803P07990	8382-3SG-3DC	7382-3SG-300
CAEN3C3F1607990	EN3L3M16X	EN3P3M16X	CA63803S07990	8382-3PG-3DC	7382-3PG-300
CARAEN3C4M07990	EN3L4FX	EN3P4FX	CARA62804P07990	8282-4SG-3DC	7282-4SG-300
CARAEN3C4F07990	EN3L4MX	EN3P4MX	CARA62804S07990	8282-4PG-3DC	7282-4PG-300
Not Available	Not Available	Not Available	CARA63804P07990	8382-4SG-3DC	7382-4SG-300
Not Available	Not Available	Not Available	CARA63804S07990	8382-4PG-3DC	7382-4PG-300
CARAEN3C5M07990	EN3L5FX	EN3P5FX	CARA62805P07990	8282-5SG-3DC	7282-5SG-300
CARAEN3C5F07990	EN3L5MX	EN3P5MX	CARA62805S07990	8282-5PG-3DC	7282-5PG-300
Not Available	Not Available	Not Available	CARA63805S07990	8382-5PG-3DC	7382-5PG-300
CARAEN3C6M07990	EN3L6FX	EN3P6FX	CARA62806P07990	8282-6SG-3DC	7282-6SG-300
CARAEN3C6F07990	EN3L6MX	EN3P6MX	CARA62806S07990	8282-6PG-3DC	7282-6PG-300
CARAEN3C8F07990	EN3L8MX	EN3P8MX	CARA62808S07990	8282-8PG-3DC	7282-8PG-300

*Additional configurations, backshell & grommet sizes, and mounting styles available. Visit Switchcraft.com for full product listing.