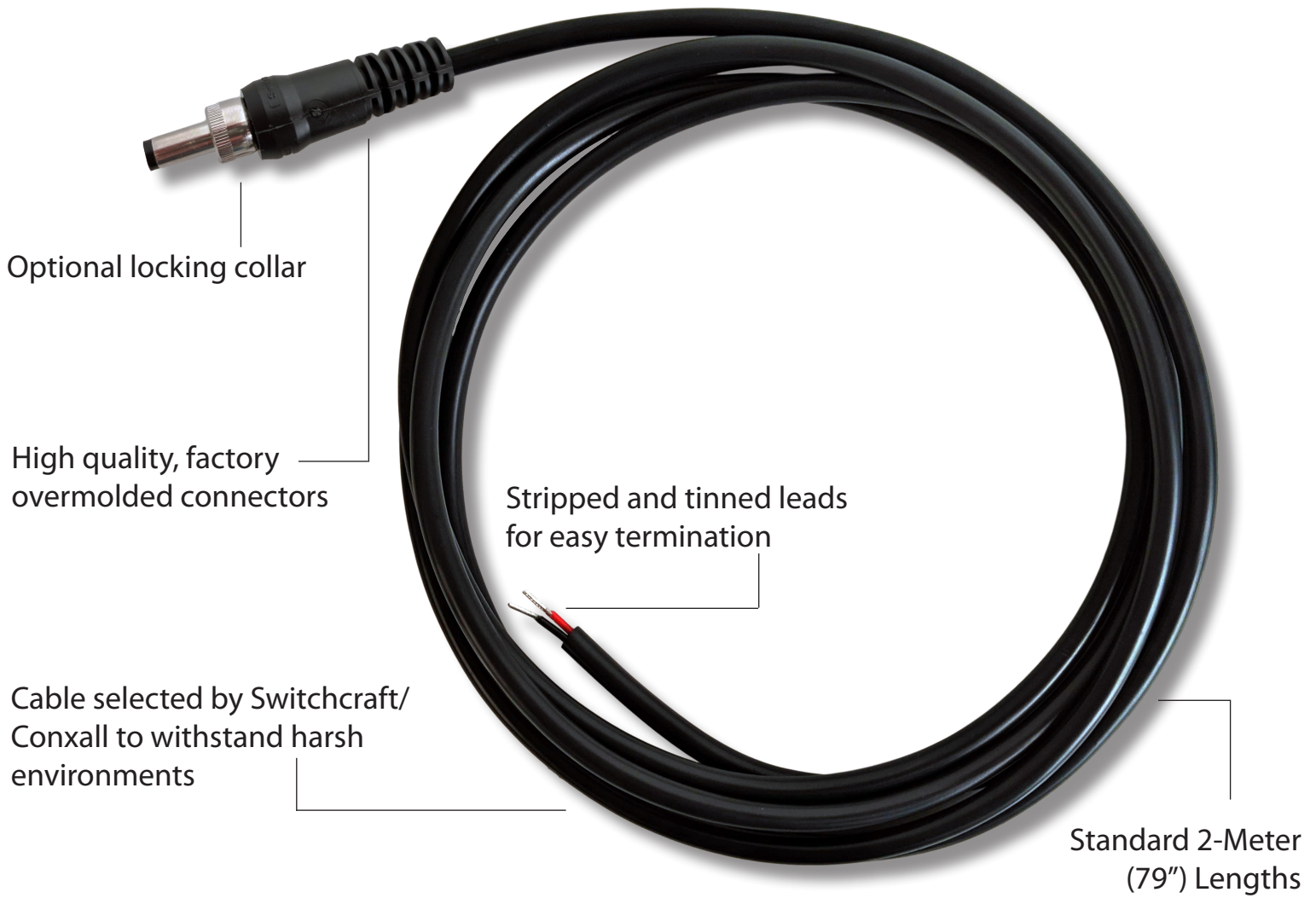


OFF-THE-SHELF
**DC POWER
PLUG**
MOLDED CABLES



Switchcraft[®]
CONXALL[®]

HARSH ENVIRONMENT CONNECTIVITY SOLUTIONS



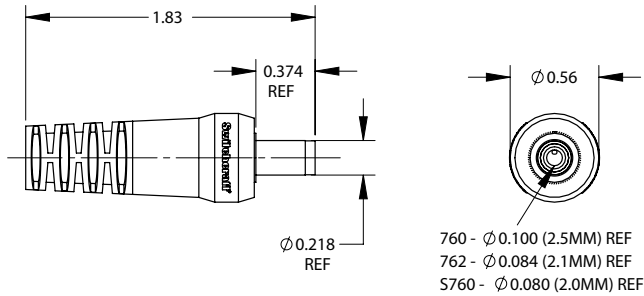
FEATURES

- High quality molded cables now available as a standard, off-the-shelf item
- Single ended cable with stripped and tinned leads
- Straight or right angle connector options
- Made in the USA
- Molded 360° Flex Relief
- Call factory for custom lengths and other configurable options
- See drawings on Switchcraft.com for detailed specifications

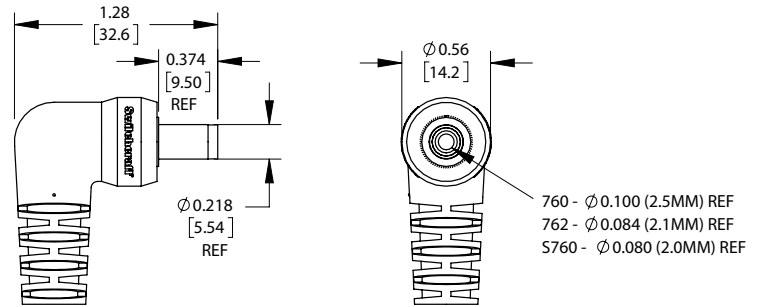
CABLE SPECIFICATIONS

- Rated for 300 V
- 20 AWG Wire
- 19 x 0.0073 Tinned Copper Stranding
- 0.011" Polypropylene Insulation
- -30° C TO +80° C Temperature Rating
- Jacket Material: PVC, black
- Color coded and tissue paper separated conductor wires

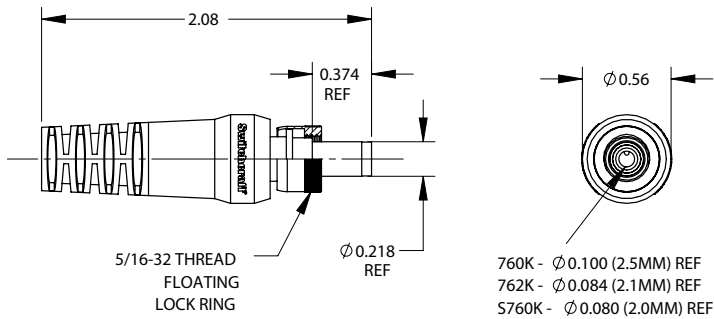
CONNECTOR DIMENSIONS (REF ONLY)



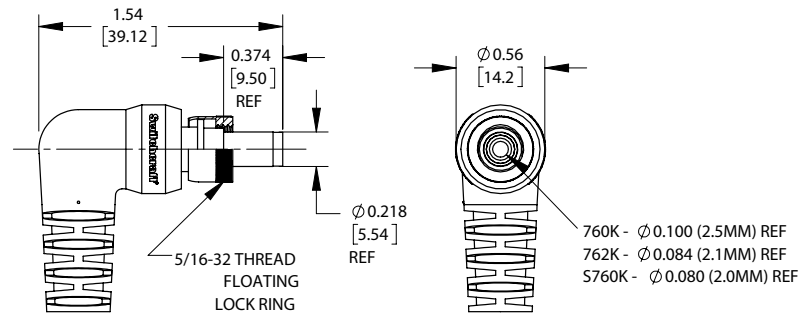
760, 762, AND S760 SERIES
NON-LOCKING POWER PLUGS



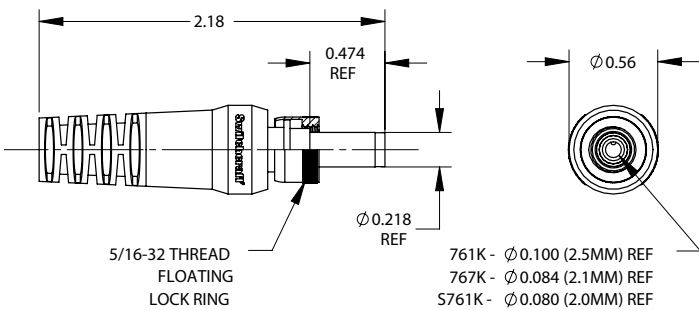
760, 762, AND S760 SERIES
NON-LOCKING POWER PLUGS



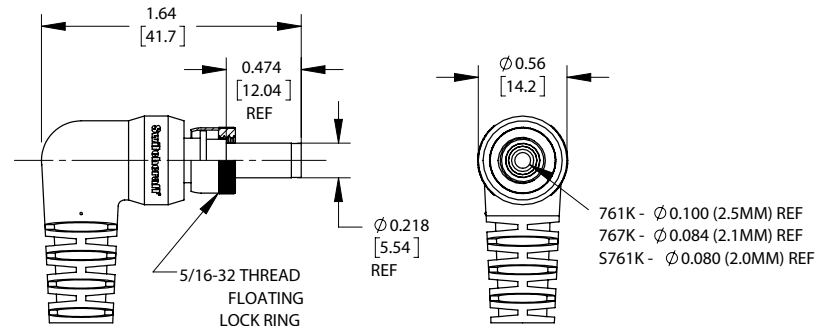
760K, 762K, AND S760K SERIES
LOCKING POWER PLUG



760K, 762K, AND S760K SERIES
LOCKING POWER PLUG



761K, 767K, AND S761K SERIES
LOCKING POWER PLUGS



761K, 767K, AND S761K SERIES
LOCKING POWER PLUGS

AVAILABLE PART NUMBERS

Part Number	Style	Pin I.D. in [mm]	Insulator Color	Length in [mm]	Locking	Mating Jacks
CA76007984	Straight	0.100 [2.5]	Black	0.374 [9.5]	Non-Lock	712A series, RAPC712X series
CA76207984	Straight	0.084 [2.1]	Red	0.374 [9.5]	Non-Lock	721A series, RAPC721X series
CAS76007984	Straight	0.080 [2.0]	White	0.374 [9.5]	Non-Lock	722A series, RAPC722X series
CA760K07984	Straight	0.100 [2.5]	Black	0.374 [9.5]	Locking	712A series
CA762K07984	Straight	0.084 [2.1]	Red	0.374 [9.5]	Locking	721A series
CAS760K07984	Straight	0.080 [2.0]	Black	0.374 [9.5]	Locking	722A series
CA761K07984	Straight	0.100 [2.5]	Black	0.474 [12]	Locking	L712A series
CA767K07984	Straight	0.084 [2.1]	Red	0.474 [12]	Locking	L721A series
CAS761K07984	Straight	0.080 [2.0]	Black	0.474 [12]	Locking	L722A series
CARA76007984	Right Angle	0.100 [2.5]	Black	0.374 [9.5]	Non-Lock	712A series, RAPC712X series
CARA76207984	Right Angle	0.084 [2.1]	Red	0.374 [9.5]	Non-Lock	721A series, RAPC721X series
CARAS76007984	Right Angle	0.080 [2.0]	White	0.374 [9.5]	Non-Lock	722A series, RAPC722X series
CARA760K07984	Right Angle	0.100 [2.5]	Black	0.374 [9.5]	Locking	712A series
CARA762K07984	Right Angle	0.084 [2.1]	Red	0.374 [9.5]	Locking	721A series
CARAS760K07984	Right Angle	0.080 [2.0]	Black	0.374 [9.5]	Locking	722A series
CARA761K07984	Right Angle	0.100 [2.5]	Black	0.474 [12]	Locking	L712A series
CARA767K07984	Right Angle	0.084 [2.1]	Red	0.474 [12]	Locking	L721A series
CARAS761K07984	Right Angle	0.080 [2.0]	Black	0.474 [12]	Locking	L722A series

SPECIFICATIONS

ELECTRICAL:

Voltage Rating:	24V DC resistive
Current Rating:	5A (Carry)
Insulation Resistance:	1,000 MΩ min.
Contact Resistance:	0.01Ω max. (initial) 0.02Ω max. (after humidity/ durability) 0.10Ω max. (after salt spray)
Dielectric Withstanding:	500 VAC max.

MATERIAL:

Conductors:	Brass, Nickel Plated
Terminals:	Brass, Tin Plated
Lock Ring:	Copper Alloy, Nickel Plated
Insulator:	Thermoplastic