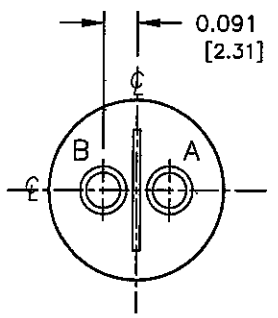
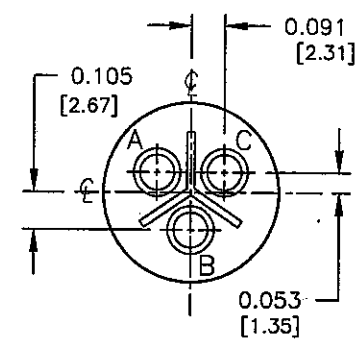


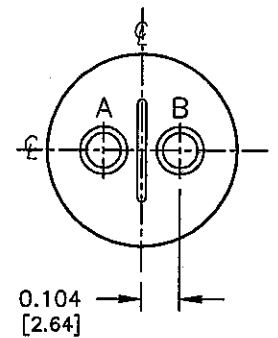
MFG. ENG. *John* 2/17/05



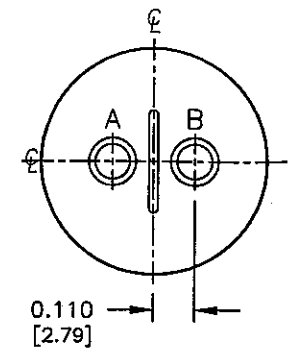
SIZE: 10SL-4  
2-#16 CONTACTS



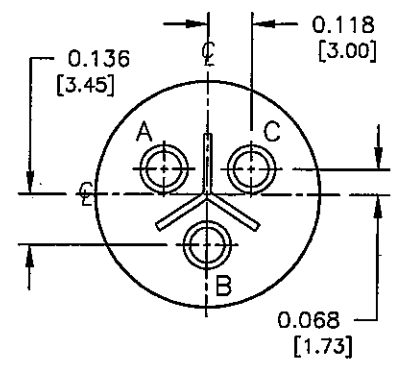
SIZE: 10SL-3  
3-#16 CONTACTS



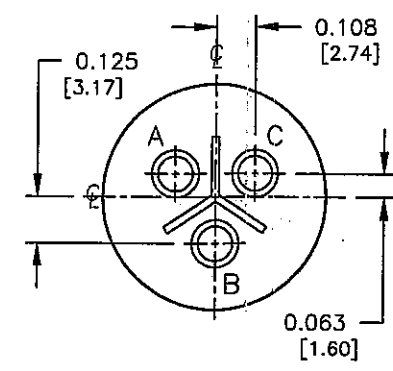
SIZE: 12S-3  
2-#16 CONTACTS



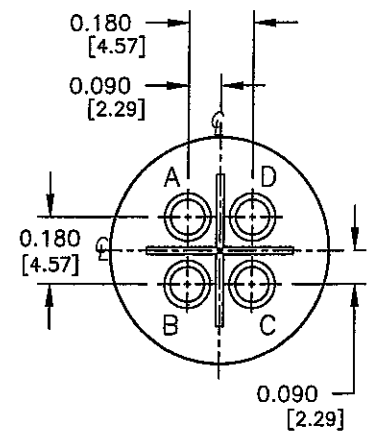
SIZE: 14S-9  
2-#16 CONTACTS



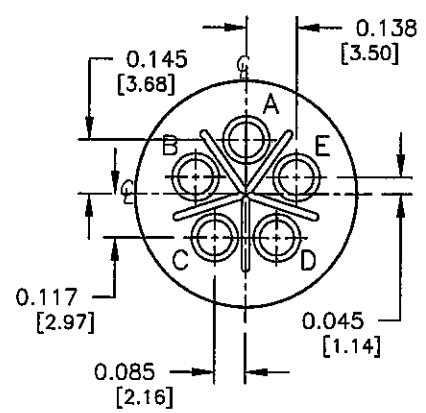
SIZE: 14S-1  
3-#16 CONTACTS



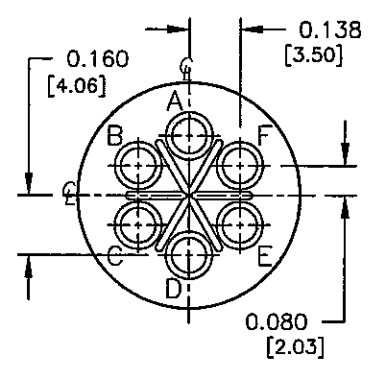
SIZE: 14S-7  
3-#16 CONTACTS



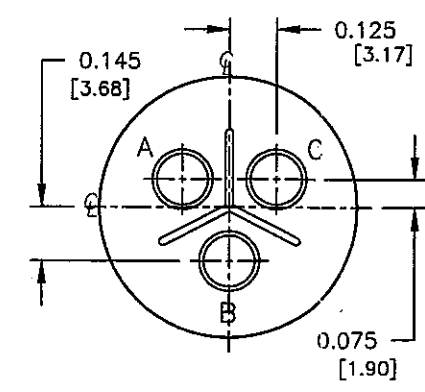
SIZE: 14S-2  
4-#16 CONTACTS



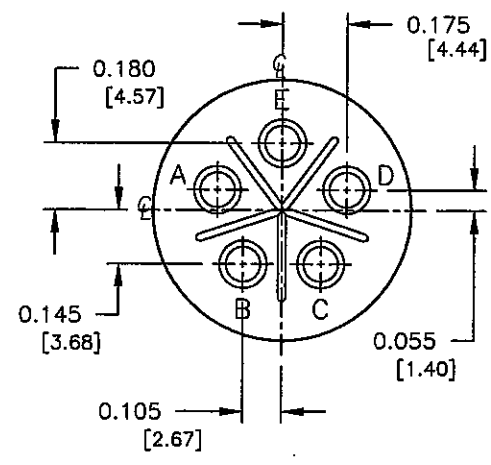
SIZE: 14S-5  
5-#16 CONTACTS



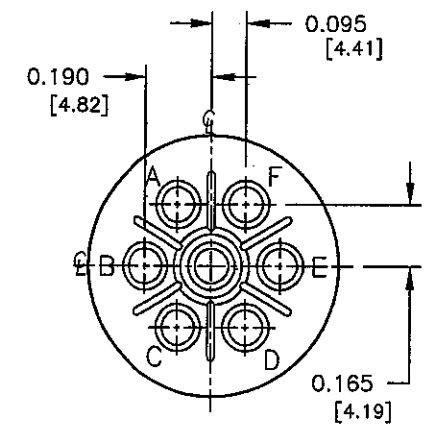
SIZE: 14S-6  
6-#16 CONTACTS



SIZE: 16-10  
3-#12 CONTACTS



SIZE: 16S-8  
5-#16 CONTACTS



SIZE: 16S-1  
7-#16 CONTACTS

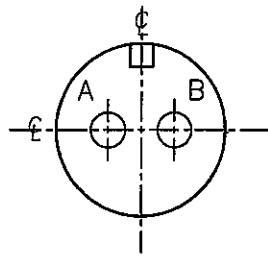
WIRE VIEWS  
(FOR PIN CONTACTS)

COPY

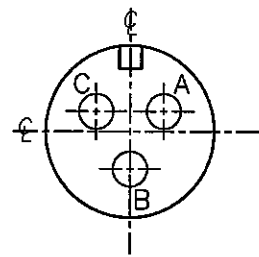
PART NUMBER: HPMQSTD

A	RCS	11-12-03	CREATED DRAWING PER ECR #2672
REV.	INIT.	DATE	DESCRIPTION
			ORIG. DRAWN BY: DATE: RCS 11-12-03
ALL INFORMATION ILLUSTRATED IS THE PROPERTY OF CONNELL CORPORATION. UNAUTHORIZED DUPLICATION OR DISTRIBUTION OF THIS DOCUMENT IS PROHIBITED.			
ALL UNITS ARE IN FEET, INCHES, FRACTION OF INCHES AND DECIMALS.			
UNLESS OTHERWISE SPECIFIED TOLERANCES: 3 PLACE DECIMALS ±.005 ANGLES ±1° FRACTIONS ±1/16			601 E. WILLOWOOD VILLA PARK, IL 60181
APPROVED BY: <i>John</i> 2/17/05			TITLE: HOLE PATTERNS MIL-E-QUAL SIZES: 10SL, 12S, 14S, 16 & 16S
FILE: HPMQSTD			CUSTOMER:
DIRECTORY: HPMQSTD			PART NUMBER: HPMQSTD
DETAILS			REV. A

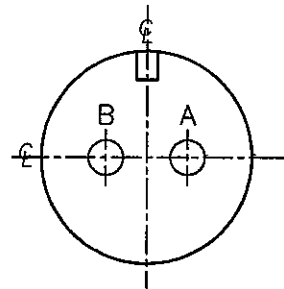
MFG. APPROVED BY: DATE:  
 ENG. *Rahn* 2/17/05



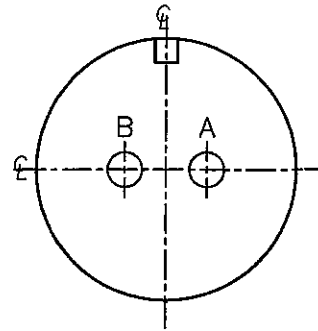
SIZE: 10SL-4  
 2-#16 CONTACTS



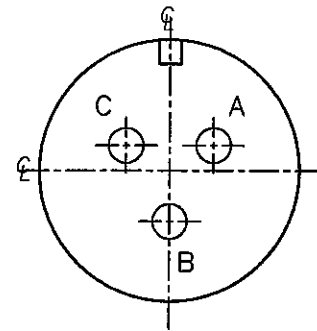
SIZE: 10SL-3  
 3-#16 CONTACTS



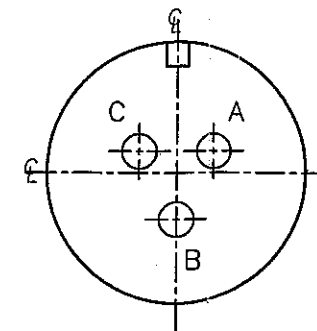
SIZE: 12S-3  
 2-#16 CONTACTS



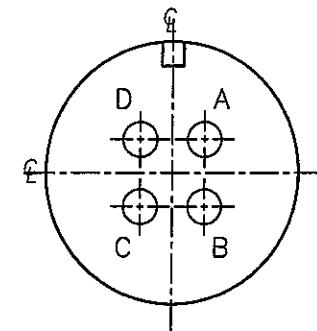
SIZE: 14S-9  
 2-#16 CONTACTS



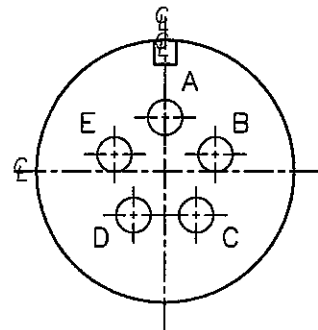
SIZE: 14S-1  
 3-#16 CONTACTS



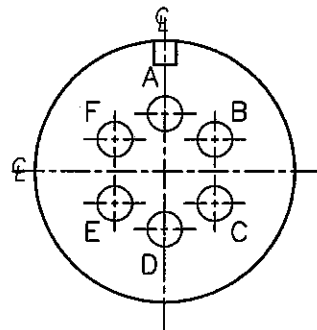
SIZE: 14S-7  
 3-#16 CONTACTS



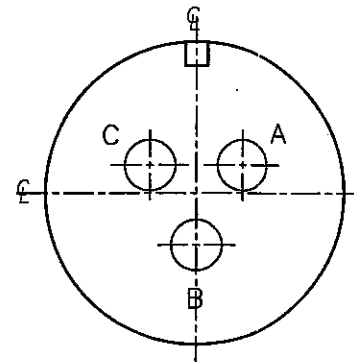
SIZE: 14S-2  
 4-#16 CONTACTS



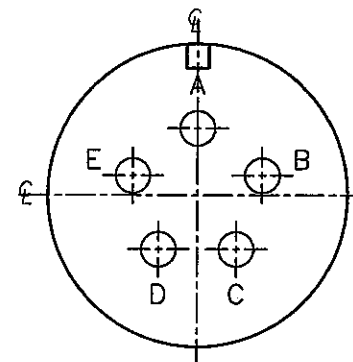
SIZE: 14S-5  
 5-#16 CONTACTS



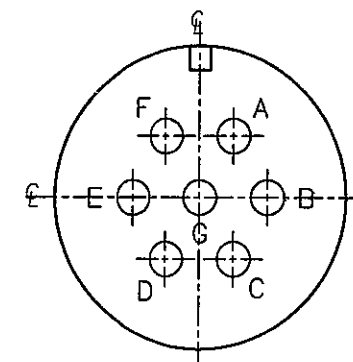
SIZE: 14S-6  
 6-#16 CONTACTS



SIZE: 16-10  
 3-#12 CONTACTS



SIZE: 16S-8  
 5-#16 CONTACTS



SIZE: 16S-1  
 7-#16 CONTACTS

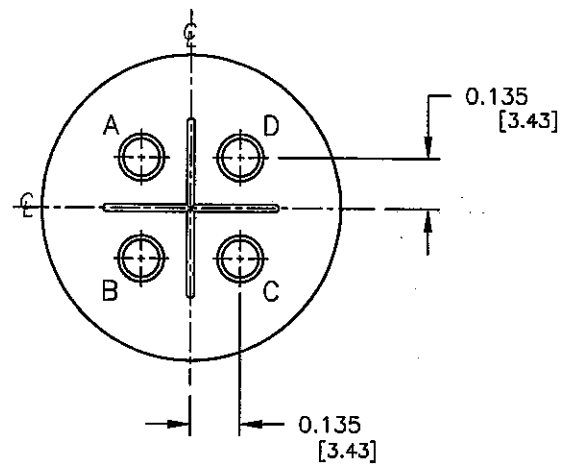
FACE VIEWS  
 (FOR PIN CONTACTS)

COPY

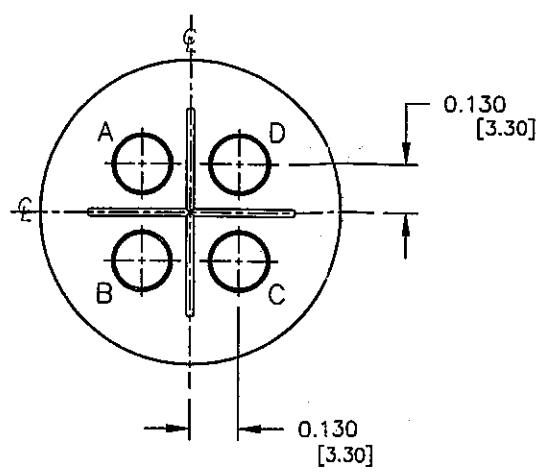
PART NUMBER: HPMQSTD

A	RCS	11-12-03	CREATED DRAWING PER ECR #2672
REV.	INIT.	DATE	DESCRIPTION
<small>ALL INFORMATION ILLUSTRATED IS THE PROPERTY OF "CONNALL CORPORATION." UNAUTHORIZED DUPLICATION OR DISTRIBUTION OF THIS DOCUMENT IS PROHIBITED.</small>			<small>ORIG. DRAWN BY: DATE:</small> RCS 11-12-03
<small>ALL UNITS ARE IN FEET, INCHES, FRACTION OF INCHES AND DECIMALS.</small>			
<small>UNLESS OTHERWISE SPECIFIED TOLERANCES:          3 PLACE DECIMALS ±.005          ANGLES ±1°          FRACTIONS ±1/16</small>			
<small>CRITICAL CHARACTERISTIC FLAG PER SPEC. XXXX</small>			<small>CHECKED BY:</small> <i>Rahn</i> 2/17/05
<small>APPROVED BY:</small> <i>Rahn</i> 2/17/05			<small>601 E. WILDWOOD VILLA PARK, IL 60181</small>
SCALE	SIZE	SHEET	TITLE
NTS	B	2 OF 8	HOLE PATTERNS
FILE:	DIRECTORY:	PART NUMBER:	MIL-E-QUAL SIZES: 10SL, 12S, 14S, 16 & 16S
HPMQSTD	HPMQSTD	HPMQSTD	

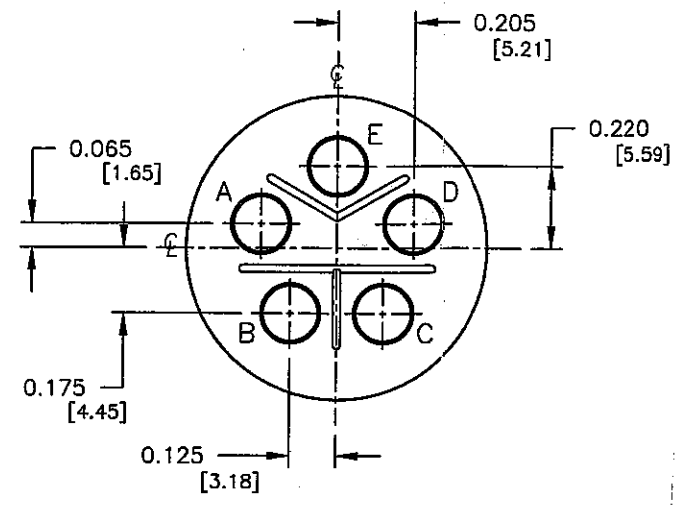
MFG. ENG. *Kahr* 2/17/05



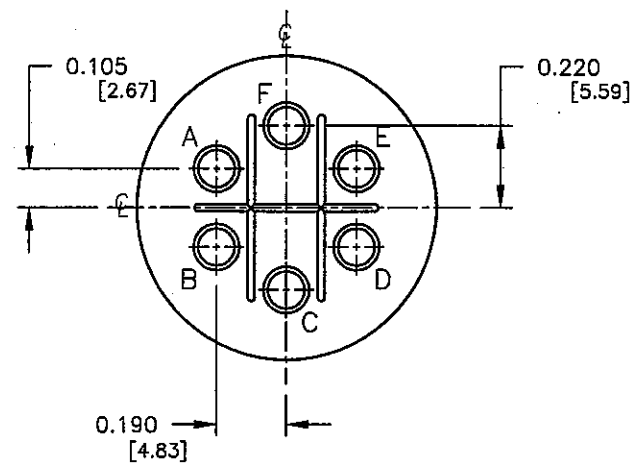
SIZE: 18-4  
4-#16 CONTACTS



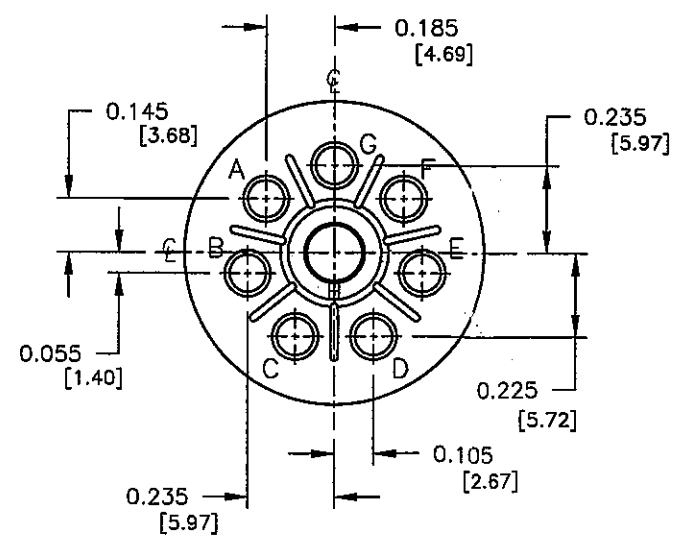
SIZE: 18-10  
4-#12 CONTACTS



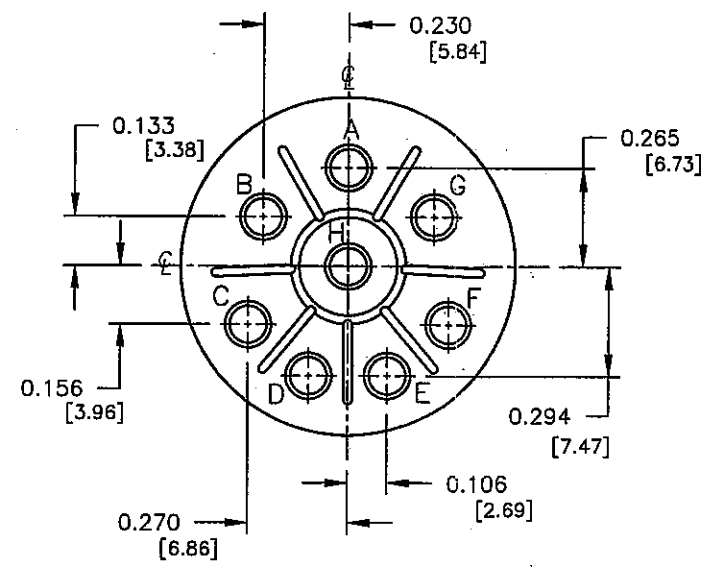
SIZE: 18-11  
5-#12 CONTACTS



SIZE: 18-12  
6-#16 CONTACTS



SIZE: 18-8  
7-#16 CONTACTS  
1-#12 CONTACTS



SIZE: 20-7  
8-#16 CONTACTS

**COPY**

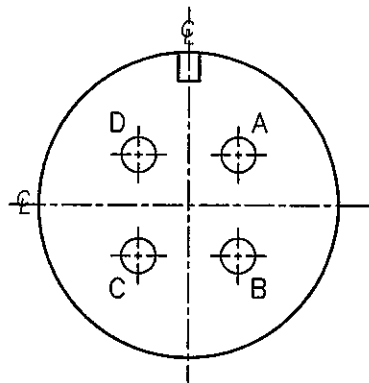
WIRE VIEWS  
(FOR PIN CONTACTS)

PART NUMBER: HPMQSTD

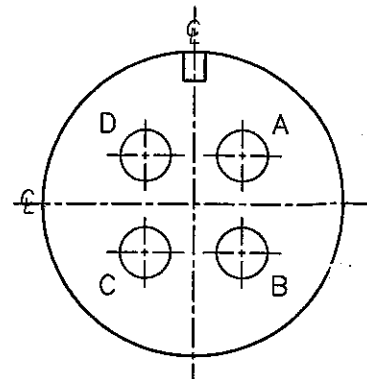
A	RCS	11-12-03	CREATED DRAWING PER ECR #2672
REV.	INIT.	DATE	DESCRIPTION
			ALL INFORMATION ILLUSTRATED IS THE PROPERTY OF CONZALL CORPORATION. UNAUTHORIZED DUPLICATION OR DISTRIBUTION OF THIS DOCUMENT IS PROHIBITED.
			ORIG. DRAWN BY: RCS DATE: 11-12-03
			CHECKED BY: <i>Kahr</i> 2/17/05
			APPROVED BY: <i>Kahr</i> 2/17/05
			ALL UNITS ARE IN FEET, INCHES, FRACTION OF INCHES AND DECIMALS.
			UNLESS OTHERWISE SPECIFIED: TOLERANCES: 3 PLACE DECIMALS ±.003 ANGLES ±1° FRACTIONS ±1/16
			▷ = CRITICAL CHARACTERISTIC FLAG PER SPEC. XXXX
SCALE	SIZE	SHEET	
NTS	B	3 OF 8	
FILE	DIRECTORY	PART NUMBER	REV.
HPMQSTD	DETAILS	HPMQSTD	A

**Conzall**  
601 E. WILDWOOD VILLA PARK, IL 60181  
TITLE: HOLE PATTERNS  
MIL-E-QUAL  
SIZES: 18 & 20  
CUSTOMER: HPMQSTD

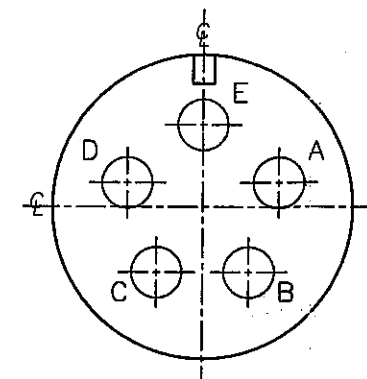
MFG. ENG. *Calvin* 2/17/05



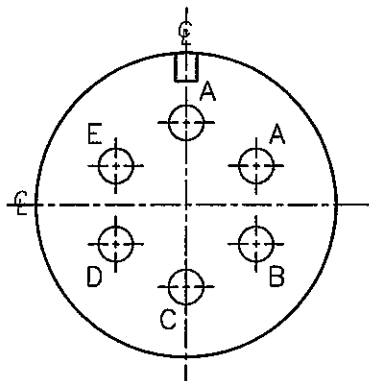
SIZE: 18-4  
4-#16 CONTACTS



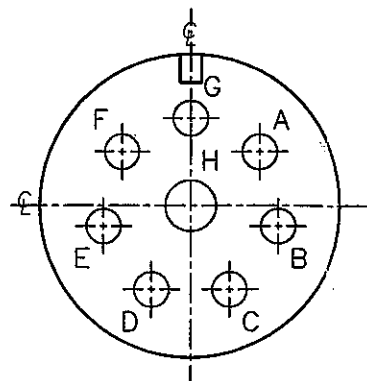
SIZE: 18-10  
4-#12 CONTACTS



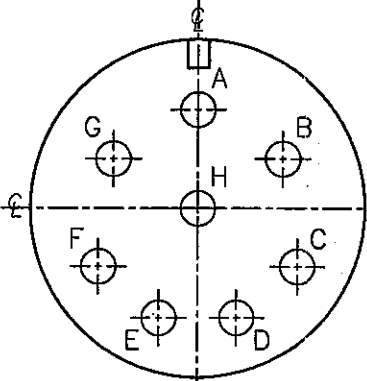
SIZE: 18-11  
5-#12 CONTACTS



SIZE: 18-12  
6-#16 CONTACTS



SIZE: 18-8  
7-#16 CONTACTS  
1-#12 CONTACTS



SIZE: 20-7  
8-#16 CONTACTS

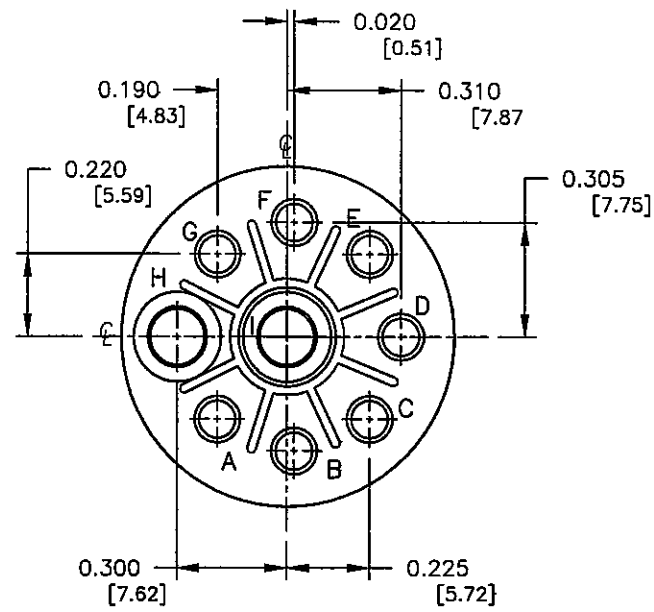
COPY

FACE VIEWS  
(FOR PIN CONTACTS)

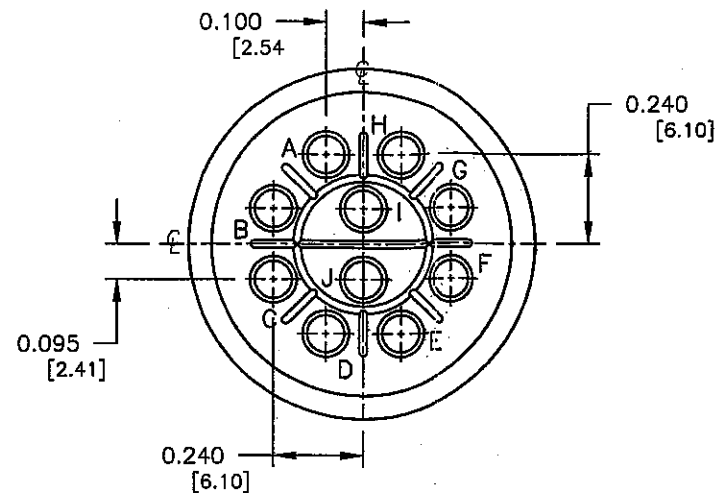
PART NUMBER: HPMQSTD

A	RCS	11-12-03	CREATED DRAWING PER ECR #2672
REV.	INIT.	DATE	DESCRIPTION
<small>ALL INFORMATION ILLUSTRATED IS THE PROPERTY OF CONZALL CORPORATION. UNAUTHORIZED DUPLICATION OR DISTRIBUTION OF THIS DOCUMENT IS PROHIBITED.</small>			<small>ORIG. DRAWN BY: DATE:</small> RCS 11-12-03
<small>ALL UNITS ARE IN FEET, INCHES, FRACTION OF INCHES AND DECIMALS.</small>			
<small>UNLESS OTHERWISE SPECIFIED TOLERANCES:</small> 3 PLACE DECIMALS ±.005 ANGLES ±1° FRACTIONS ±1/16			
<small>FILE: HPMQSTDSDH4</small>			<small>601 E. WILDWOOD VILLA PARK, IL 60181</small> TITLE: HOLE PATTERNS MIL-E-QUAL SIZES: 18 & 20 CUSTOMER:
<small>▷ = CRITICAL CHARACTERISTIC FLAG PER SPEC. XXXX</small>			SCALE: SIZE A SHEET NTS B 4 OF 8 DIRECTOR: PART NUMBER: HPMQSTD REV. A

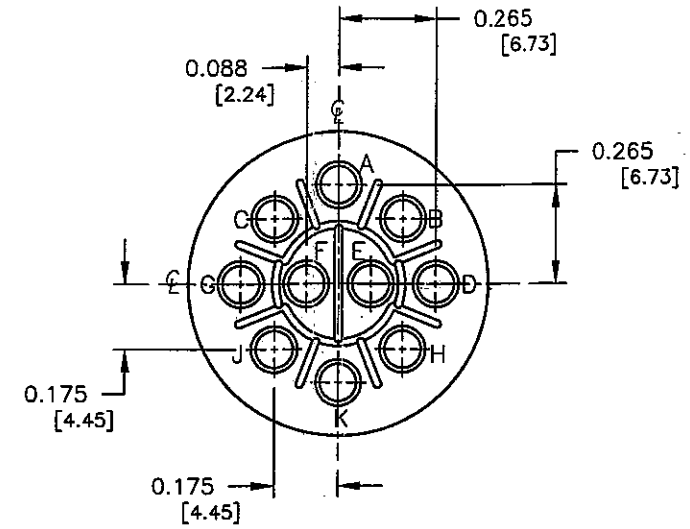
MFG. APPROVED BY: DATE:  
 ENG. *Jahn* 2/17/05



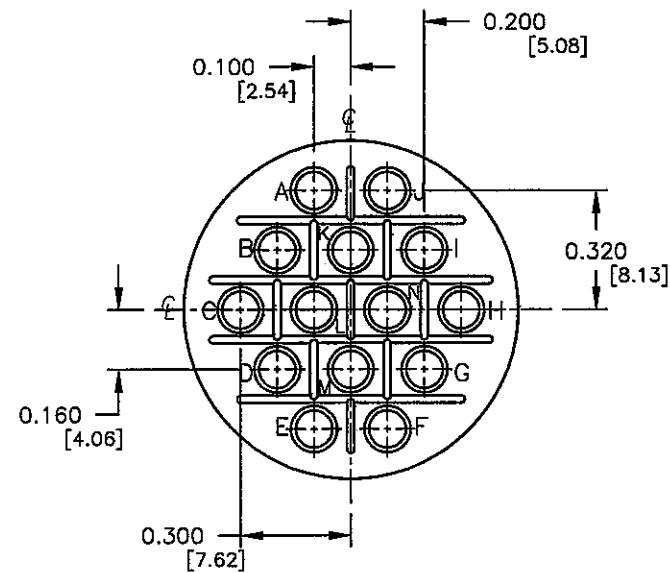
SIZE: 20-16  
 7-#16 CONTACTS  
 2-#12 CONTACTS



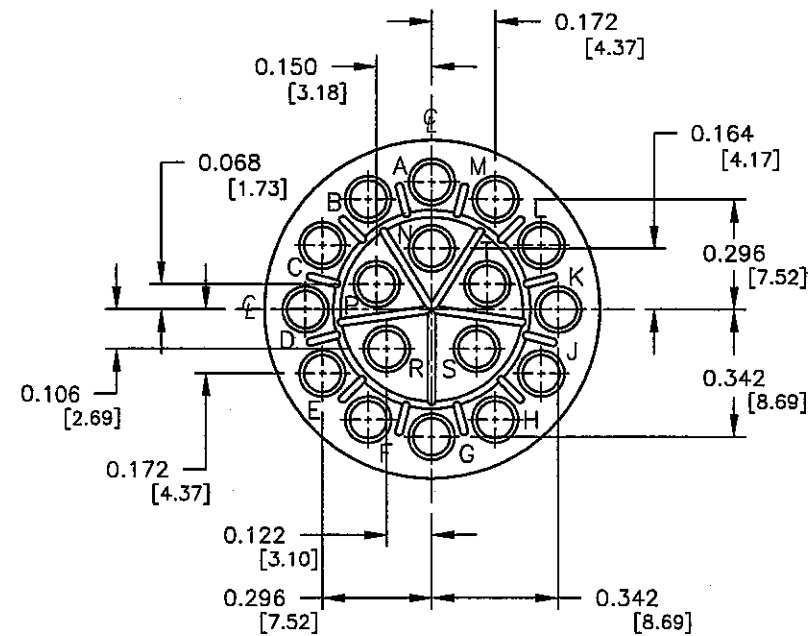
SIZE: 18-1  
 10-#16 CONTACTS



SIZE: 18-19  
 10-#16 CONTACTS



SIZE: 20-27  
 14-#16 CONTACTS



SIZE: 20-29  
 17-#16 CONTACTS

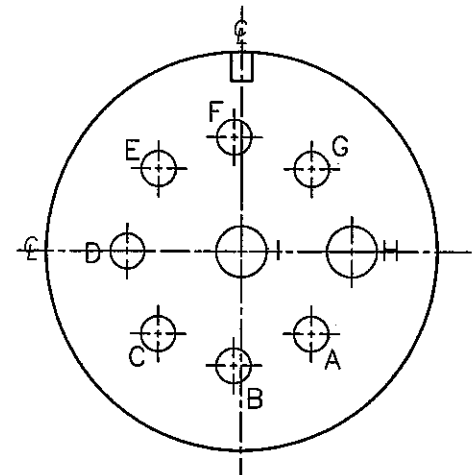
**COPY**

PART NUMBER: HPMQSTD

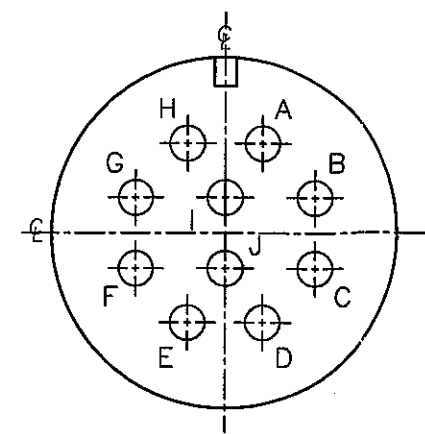
WIRE VIEWS  
 (FOR PIN CONTACTS)

A	RCS	11-12-03	CREATED DRAWING PER ECR #2672
REV.	INIT.	DATE	DESCRIPTION
<small>ALL INFORMATION ILLUSTRATED IS THE PROPERTY OF CONXAL CORPORATION. UNAUTHORIZED DUPLICATION OR DISTRIBUTION OF THIS DOCUMENT IS PROHIBITED.</small>			<small>ORIG. DRAWN BY: DATE:</small> RCS 11-12-03
<small>ALL UNITS ARE IN FEET, INCHES, FRACTION OF INCHES AND DECIMALS.</small>			<small>CHECKED BY:</small> <i>Jahn</i> 2/17/05
<small>UNLESS OTHERWISE SPECIFIED TOLERANCES:</small> 3 PLACE DECIMALS ±.005 ANGLES ±1° FRACTIONS ±1/16			<small>APPROVED BY:</small> <i>Jahn</i> 2/17/05
SCALE	SIZE	SHEET	<small>TITLE:</small> HOLE PATTERNS MIL-E-QUAL SIZES: 18 & 20
NTS	B	5 OF 8	<small>CUSTOMER:</small> 601 E. WILDWOOD VILLA PARK, IL 60181
FILE:	DIRECTORY:	PART NUMBER:	<small>REV.:</small> HPMQSTD SH5 DETAILS HPMQSTD A

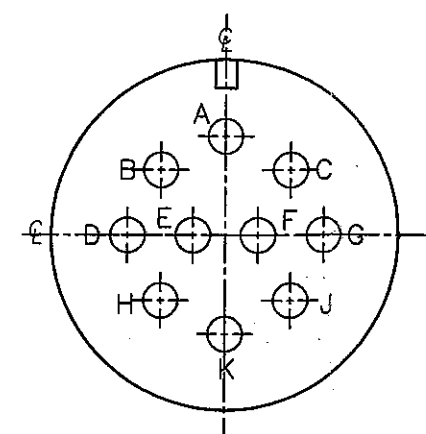
MFG. ENG. *gahr* APPROVED BY: DATE: 2/17/05



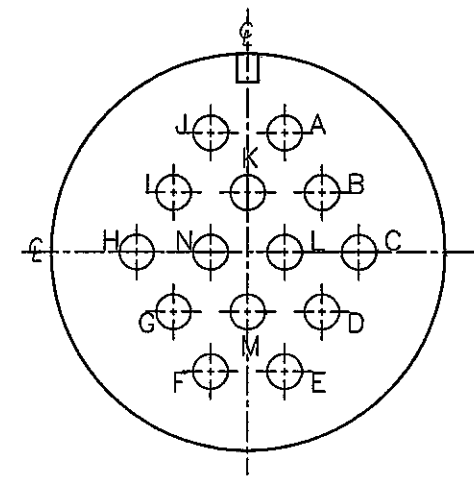
SIZE: 20-16  
7-#16 CONTACTS  
2-#12 CONTACTS



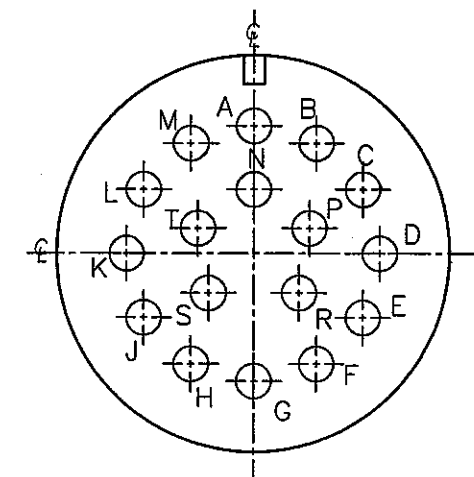
SIZE: 18-1  
10-#16 CONTACTS



SIZE: 18-19  
10-#16 CONTACTS



SIZE: 20-27  
14-#16 CONTACTS



SIZE: 20-29  
17-#16 CONTACTS

FACE VIEWS  
(FOR PIN CONTACTS)

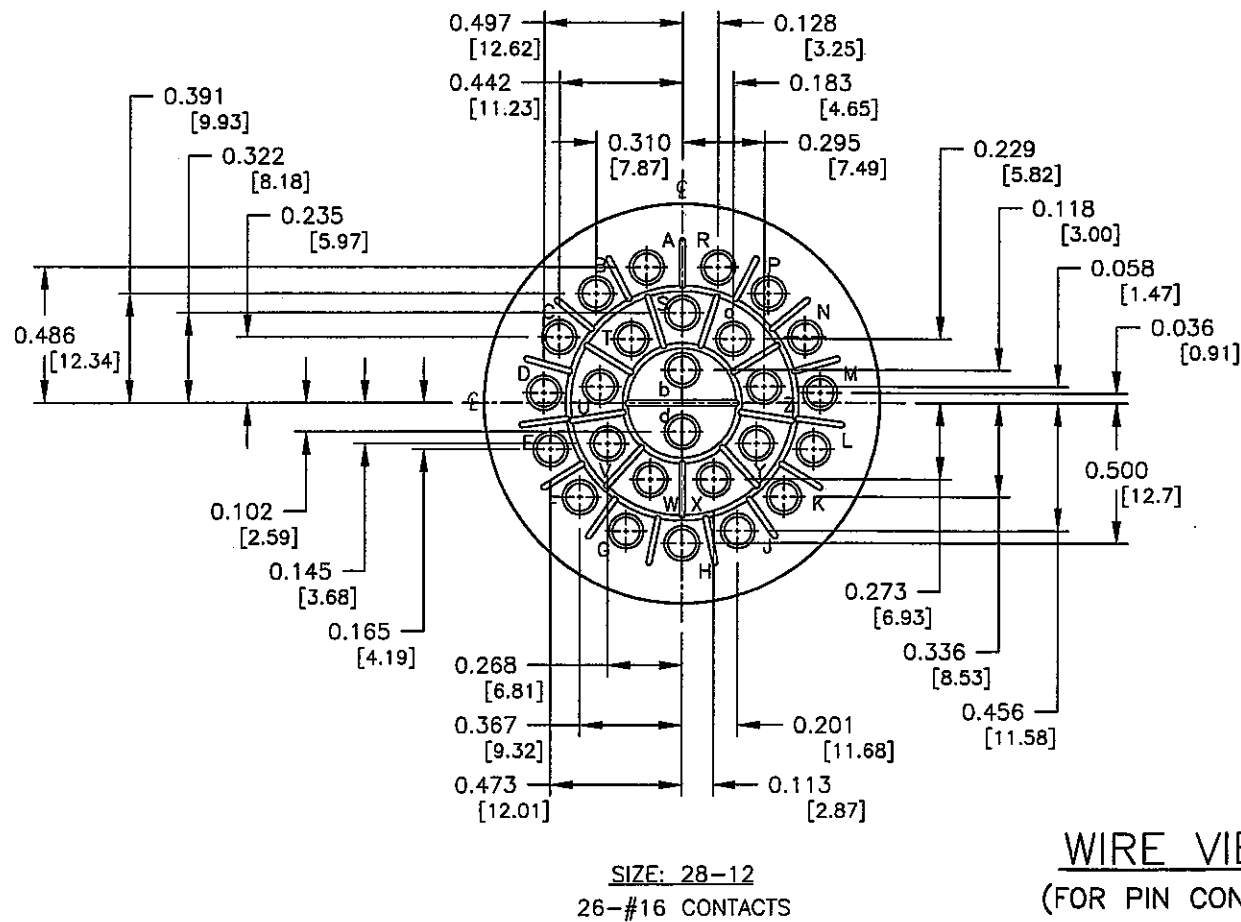
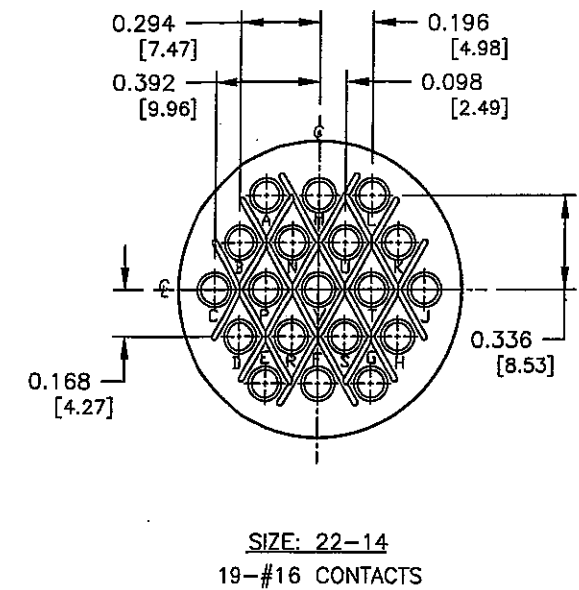
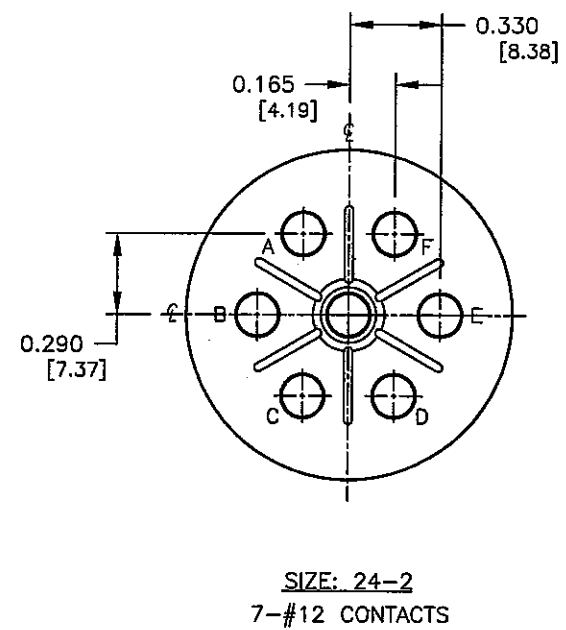
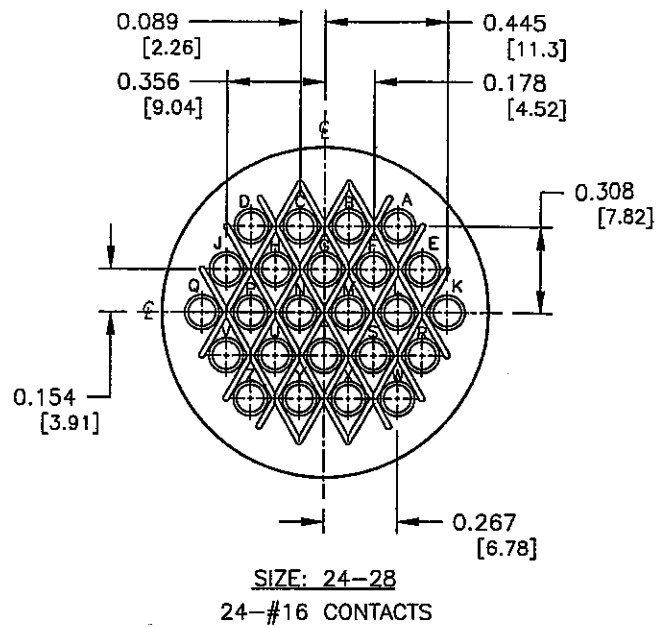
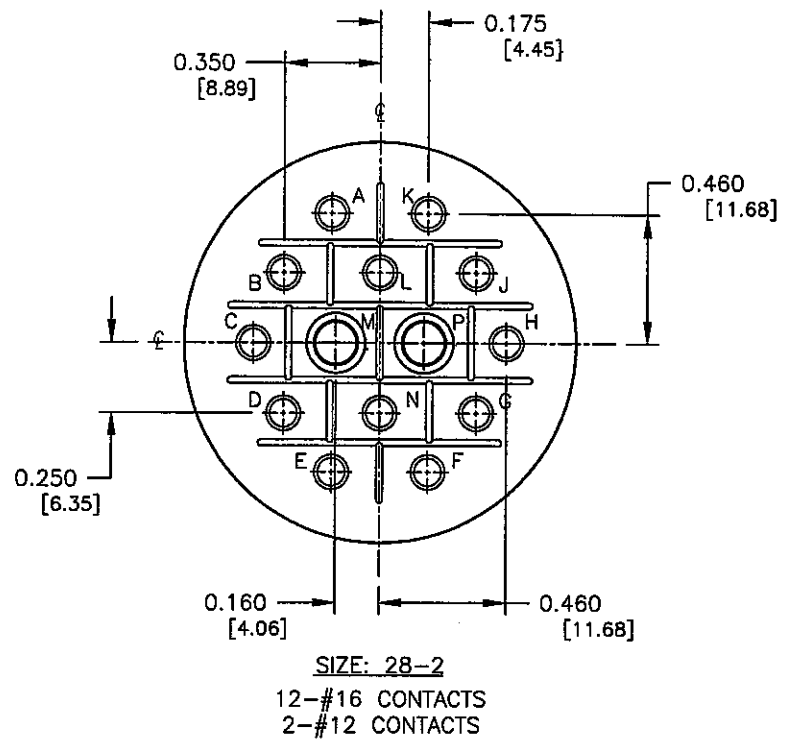
COPY

PART NUMBER: HPMQSTD

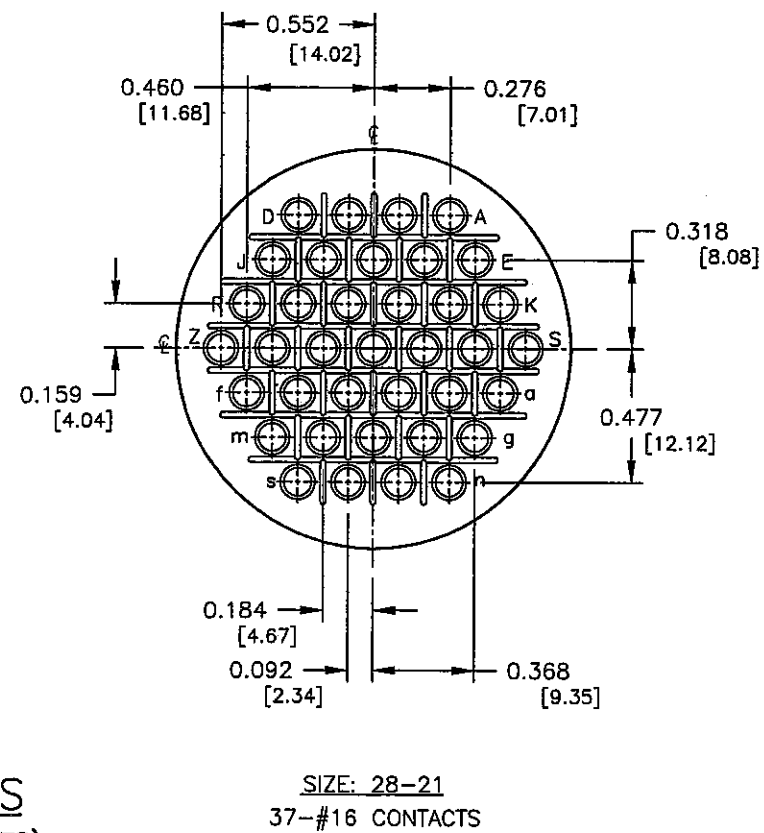
A	RCS	11-12-03	CREATED DRAWING PER ECR #2672
REV.	INIT.	DATE	DESCRIPTION
			ORIG. DRAWN BY: DATE: RCS 11-12-03
ALL INFORMATION ILLUSTRATED IS THE PROPERTY OF CONXALL CORPORATION. UNAUTHORIZED DUPLICATION OR DISTRIBUTION OF THIS DOCUMENT IS PROHIBITED.			
CHECKED BY: <i>gahr</i> 2/17/05			
APPROVED BY: <i>gahr</i> 2/17/05			601 E. WILDWOOD VILLA PARK, IL 60181
UNLESS OTHERWISE SPECIFIED TOLERANCES: 3 PLACE DECIMALS ±.005 ANGLES ±1° FRACTIONS ±1/16			TITLE: HOLE PATTERNS MIL-E-QUAL SIZES: 18 & 20
SCALE	SIZE	SHEET	CUSTOMER:
NTS	B	6 OF 8	
FILE:	DIRECTORY:	PART NUMBER:	REV.
HPMQSTD5HG	DETAILS	HPMQSTD	A

APPROVED BY: *John* DATE: 2/17/05  
 MFG. ENG.

PART NUMBER: HPMQSTD



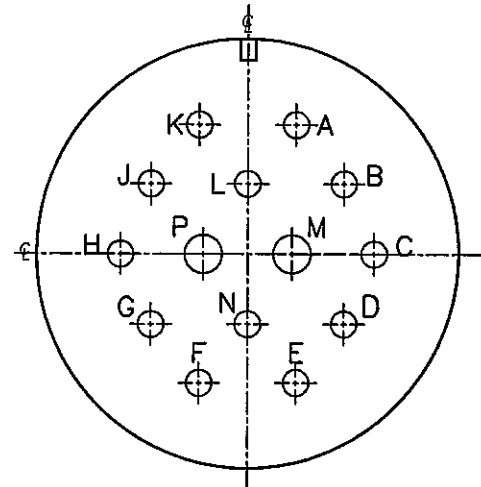
WIRE VIEWS  
 (FOR PIN CONTACTS)



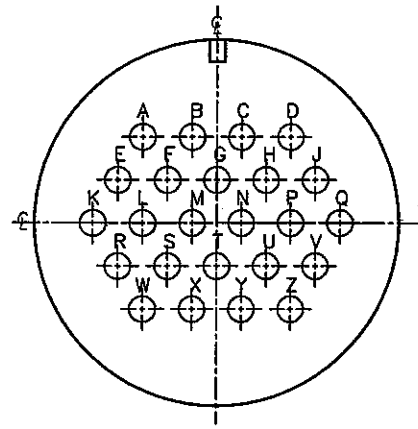
COPY

A	RCS	11-12-03	CREATED DRAWING PER ECR #2672
REV.	INIT.	DATE	DESCRIPTION
			ORIG. DRAWN BY: DATE: RCS 11-12-03
ALL INFORMATION ILLUSTRATED IS THE PROPERTY OF CONZALL CORPORATION. UNAUTHORIZED DUPLICATION OR DISTRIBUTION OF THIS DOCUMENT IS PROHIBITED.			CHECKED BY: <i>John</i> 2/17/05
ALL UNITS ARE IN FEET, INCHES, FRACTION OF INCHES AND DECIMALS.			APPROVED BY: <i>John</i> 2/17/05
UNLESS OTHERWISE SPECIFIED TOLERANCES:			601 E. WILDWOOD VILLA PARK, IL 60181
3 PLACE DECIMALS ±.005			TITLE: HOLE PATTERNS
ANGLES ±1°			MIL-E-QUAL
FRACTIONS ±1/16			SIZES: 22, 24 & 28
CRITICAL CHARACTERISTIC FLAG PER SPEC. XXXX			CUSTOMER:
FILE:	DIRECTORY:	PART NUMBER:	REV.:
HPMQSTD7	DETAILS	HPMQSTD	A

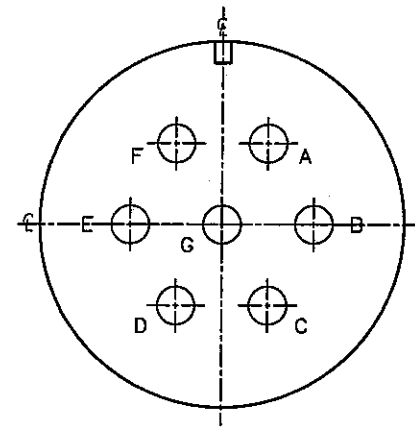
MFG. ENG. APPROVED BY: DATE: 5/14/15



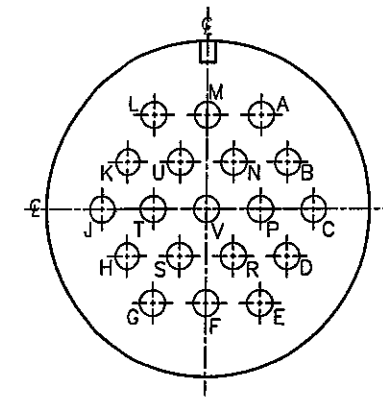
SIZE: 28-2  
12-#16 CONTACTS  
2-#12 CONTACTS



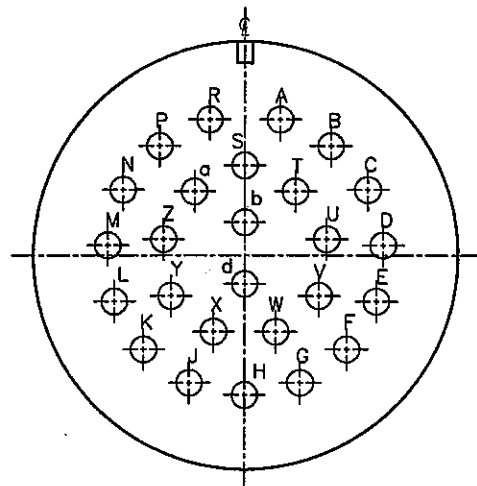
SIZE: 24-28  
24-#16 CONTACTS



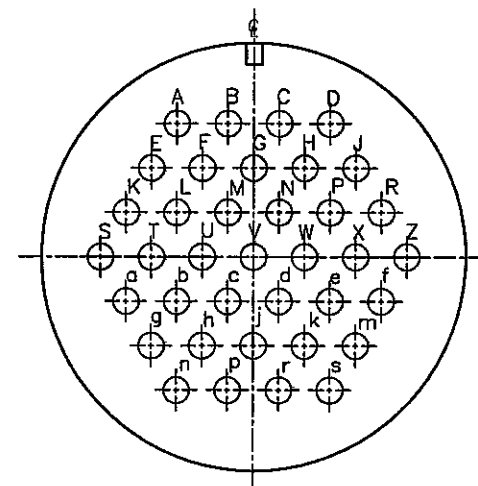
SIZE: 24-2  
7-#12 CONTACTS



SIZE: 22-14  
19-#16 CONTACTS



SIZE: 28-12  
26-#16 CONTACTS



SIZE: 28-21  
37-#16 CONTACTS

FACE VIEWS  
(FOR PIN CONTACTS)

COPY

PART NUMBER: HPMQSTD

A	RCS	11-12-03	CREATED DRAWING PER ECR #2672
REV.	INIT.	DATE	DESCRIPTION
<small>ALL INFORMATION ILLUSTRATED IS THE PROPERTY OF CONXALL CORPORATION. UNAUTHORIZED DUPLICATION OR DISTRIBUTION OF THIS DOCUMENT IS PROHIBITED.</small>			<small>ORIG. DRAWN BY: DATE:</small> RCS 11-12-03
<small>ALL UNITS ARE IN FEET, INCHES, FRACTION OF INCHES AND DECIMALS.</small>			
<small>UNLESS OTHERWISE SPECIFIED TOLERANCES: 3 PLACE DECIMALS ±.005 ANGLES ±1° FRACTIONS ±1/16</small>			
<small>APPROVED BY:</small> 		<small>CHECKED BY:</small> 	
<small>SCALE</small> NTS		<small>SHEET</small> 8 OF 8	
<small>FILE:</small> HPMQSTD		<small>DIRECTORY:</small> SHE DETAILS	
<small>△ = CRITICAL CHARACTERISTIC FLAG PER SPEC. XXXX</small>			<small>CUSTOMER:</small> 601 E. WILDWOOD VILLA PARK, IL 60181 <small>TITLE:</small> HOLE PATTERNS MIL-E-QUAL SIZES: 22, 24 & 28 <small>PART NUMBER:</small> HPMQSTD
			<small>REV.</small> A