

10-12 POSITION  
**MULTI-CON-X<sup>®</sup>**  
SEALED CONNECTORS



**Switchcraft<sup>®</sup>**  
**CONXALL<sup>®</sup>**

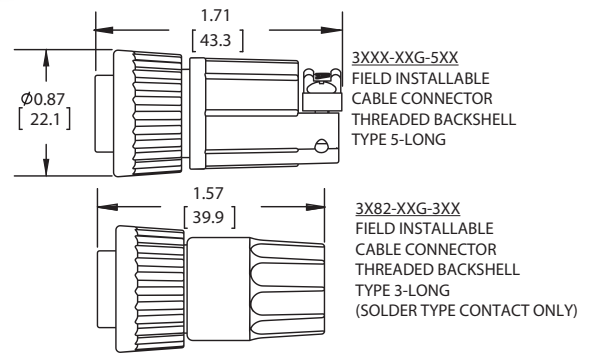
HARSH ENVIRONMENT CONNECTIVITY SOLUTIONS



## KEY FEATURES

- Connector interface sealed to IP67 when mated
- Available with up to 12 #20 contacts
- Cable End, Panel Mount, and Cable-to-Cable options are available
- Rated for 3.4 Amps, 150 VAC
- Made from UL F1 rated, UV resistant thermoplastic
- Made by Switchcraft/ Conxall in the USA
- See [Switchcraft.com](http://Switchcraft.com) for full specifications and full Multi-Con-X series part number list

## OVERALL DIMENSIONS



## PART NUMBERS

W	X	2	XX	-	XXXG	-	XXX	X
Connector Type:				Special Features				
<b>3:</b> Cable End <b>4:</b> Panel Mount <b>5:</b> Cable to Cable				<b>W:</b> Winged Coupling Ring  Cable-end and Cable-to-cable Backshell with Grommet - Cable O.D. Range: <b>3XX:</b> Grommet Grip Seal  <b>5XX:</b> Screw-Down Cable Clamp <b>24:</b> 0.24-0.27" (6.1 - 6.8 mm) <b>28:</b> 0.28-0.29" (7.1 - 7.4 mm) <b>30:</b> 0.30-0.32" (7.6 - 8.1 mm) <b>35:</b> 0.35-0.40" (8.9 - 10.2 mm)				
Contacts Style:				Panel Mount:				
<b>80:</b> Crimp <b>81:</b> Short PC Tail <b>82:</b> Solder <b>91:</b> Extended PC Tail - Medium <b>92:</b> Extended PC Tail - Long				<b>300:</b> with Hex Nut & Gasket <b>3ES:</b> 300 with Epoxy				
Positions & Contact Types:								
<b>XX PG:</b> XX Male Pins <b>XX SG:</b> XX Female Sockets								

## RECOMMENDED PANEL CUTOUT

