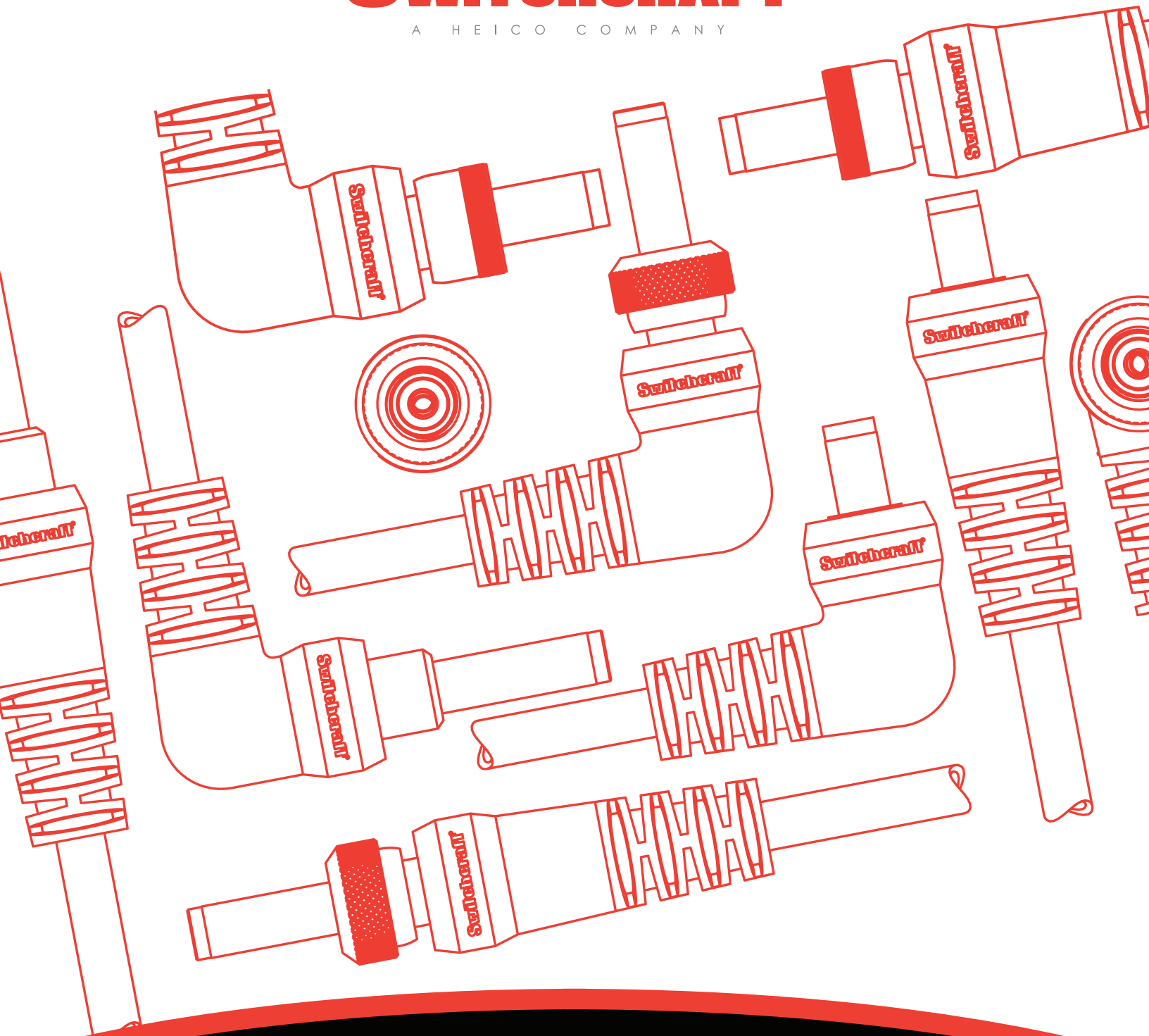


SWITCHCRAFT®

A HEICO COMPANY



OVERMOLDED POWER PLUGS

NPB | 614

OVERMOLDED POWER PLUGS

NPB | 614



POWER PLUG OVERMOLDS

Switchcraft is proud to introduce the latest overmold options for the S10, 761KS, 767KS, S761KS, 761K, S761K, 760, S760, 760K and S760K Series of power plugs. The new options have a rugged construction making these overmolded connectors perfect for harsh environments. Available in a straight cable-end overmold or right-angle cable-end overmold, these power plugs are the perfect option for mobile equipment, such as monitoring equipment or outdoor lighting. These new power plugs provide a more slim line overmold option for protection from harsh environments and excellent flex relief.

FEATURES & BENEFITS

Available in two ergonomic design styles: straight and right angle

Durable 360° flex cable strain relief

Sealed to IP68 when mated to corresponding sealed power jack

Accommodates cable O.D. up to 0.276" (7mm)

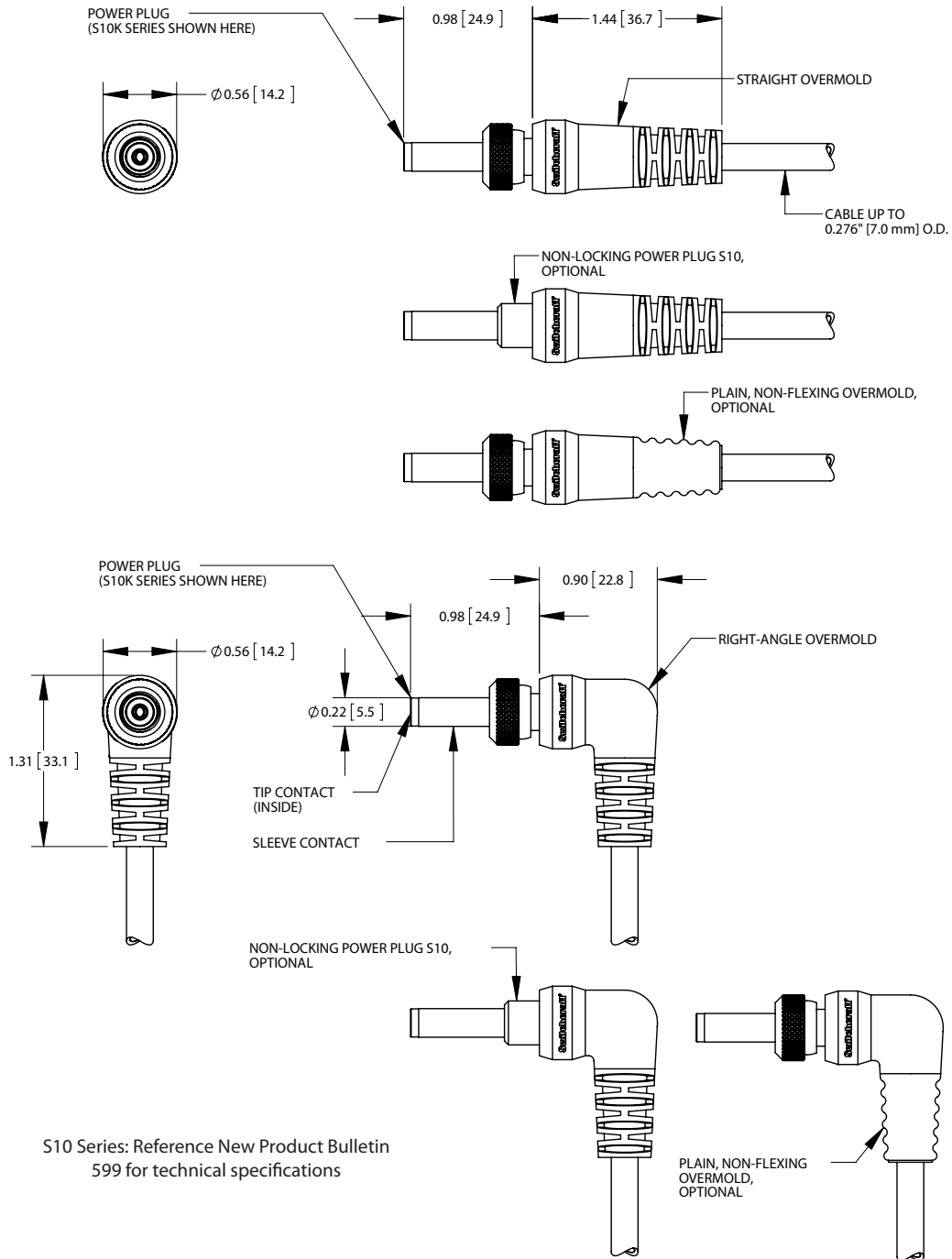
This overmold style is also available on other Switchcraft® power plugs and connectors of same diametric size

Standard Power Plugs specifications apply

RoHS compliant

OVERMOLDED POWER PLUGS

NPB | 614



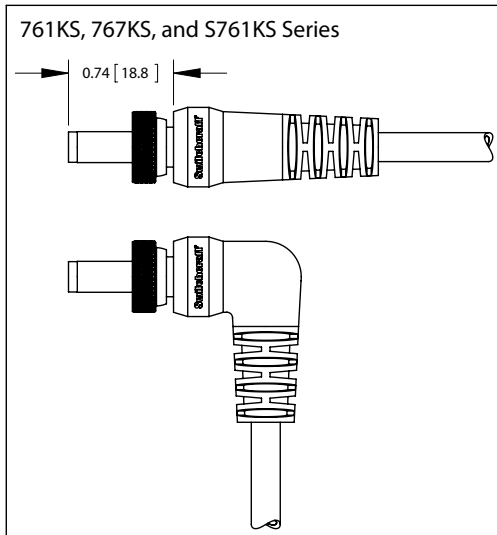
UNITS ARE LISTED IN INCHES [mm]. ALL DIMENSIONS ARE REFERENCE ONLY.

PLEASE VISIT WWW.SWITCHCRAFT.COM FOR THE MOST UP-TO-DATE PRODUCT SPECIFICATIONS.
MADE IN USA

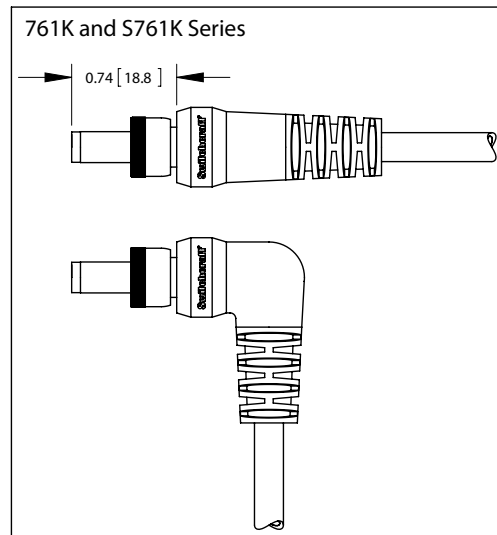
OVERMOLDED POWER PLUGS

NPB | 614

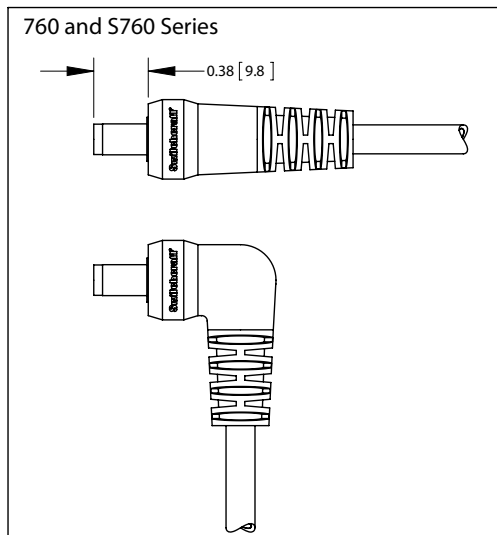
THIS OVERMOLD STYLE IS AVAILABLE ON OTHER SWITCHCRAFT® POWER PLUGS:



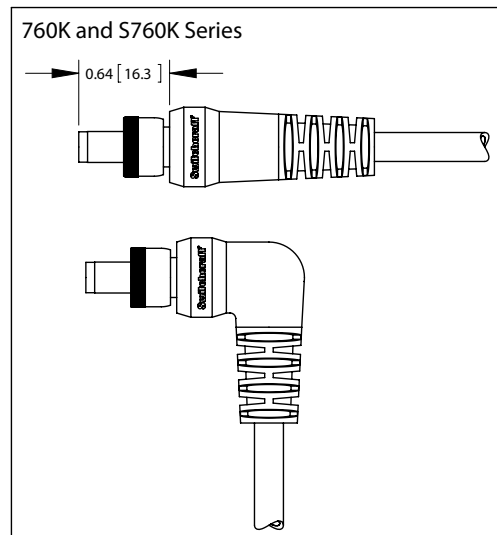
Reference New Product Bulletin 583 for technical specifications



Reference Switchcraft Engineering Design Guide (EDG 4th Ed.) for technical specifications



Reference Switchcraft Engineering Design Guide (EDG 4th Ed.) for technical specifications



UNITS ARE LISTED IN INCHES [mm]. ALL DIMENSIONS ARE REFERENCE ONLY.

PLEASE VISIT WWW.SWITCHCRAFT.COM FOR THE MOST UP-TO-DATE PRODUCT SPECIFICATIONS.
MADE IN USA