

NOTES:

1. CRIMP CONTACTS SUPPLIED UNASSEMBLED.
2. REFER TO DRAWING HPMIMIX FOR CONTACT PATTERNS.
3. DIMENSIONS ARE REFERENCE ONLY, IN INCHES [mm], WITHIN ±0.015 UNLESS OTHERWISE NOTED.

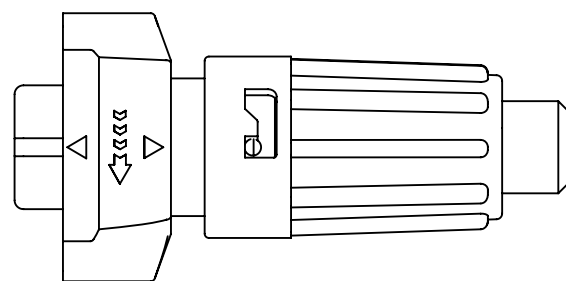
CABLE-END CONNECTOR PART NUMBERS:

W 6 A 8 X - 8 P G - P - 5XX

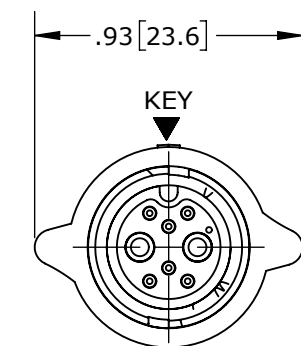
MIXED CONTACTS:
A = 2 #16 + 6 #26

CONTACTS STYLE:
0 = CRIMP
2 = SOLDER

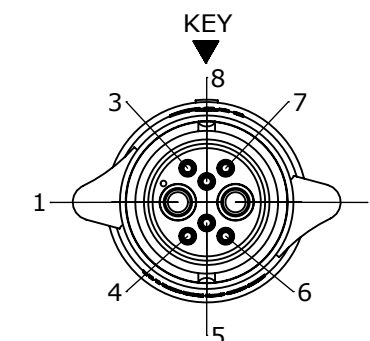
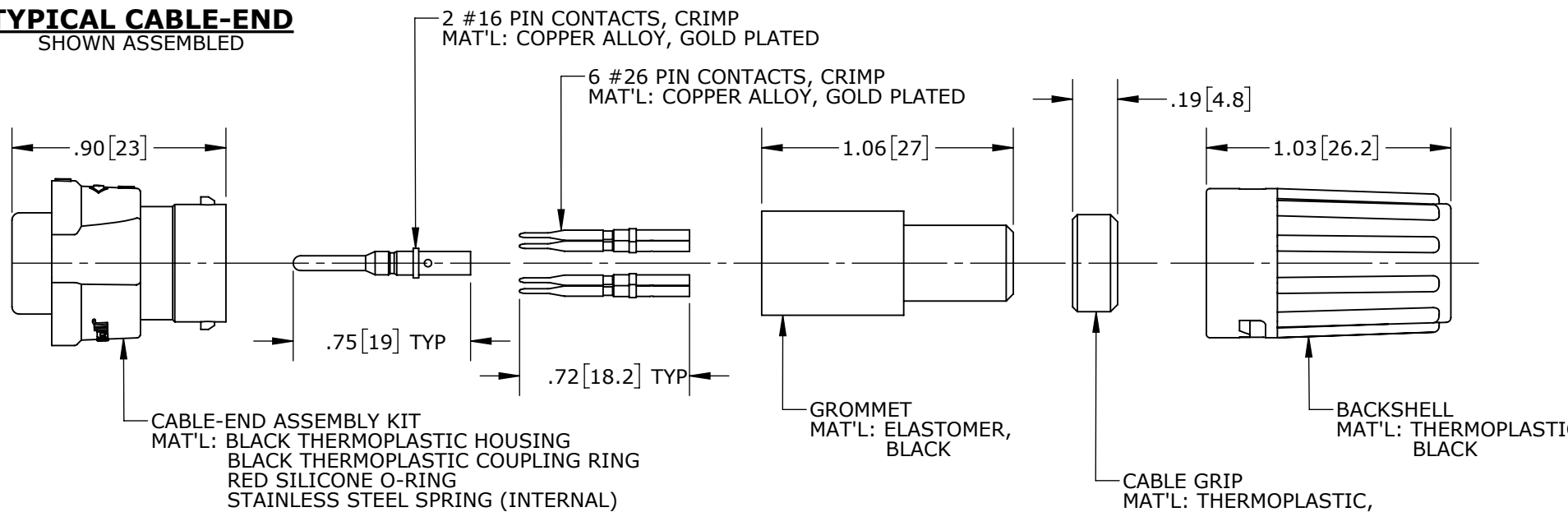
GROMMET SIZE = CABLE O.D. RANGE:
513 = 0.13 - 0.15 [3.3 - 3.8]
516 = 0.16 - 0.18 [4.1 - 4.6]
519 = 0.19 - 0.21 [4.8 - 5.3]
522 = 0.22 - 0.25 [5.6 - 6.3]
528 = 0.26 - 0.285 [6.6 - 7.2]



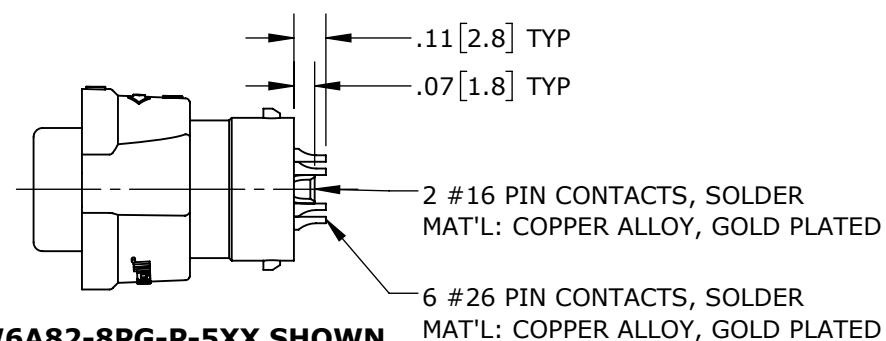
TYPICAL CABLE-END
SHOWN ASSEMBLED



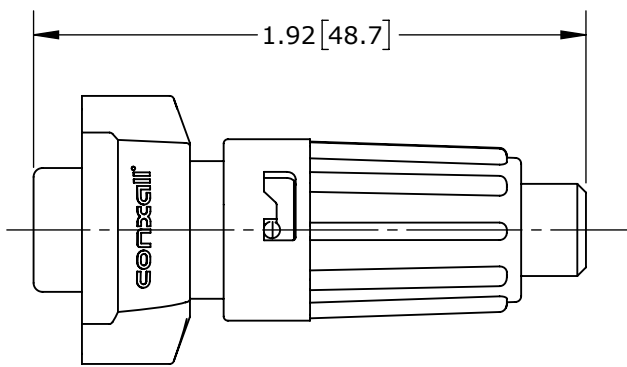
MATING FACE
W6A80-8PG-P-528 SHOWN



WIRING END
W6A80-8PG-P-528 SHOWN
WITHOUT HARDWARE



W6A82-8PG-P-5XX SHOWN
WITHOUT HARDWARE



TYPICAL CABLE-END
SHOWN ASSEMBLED

CUSTOMER APPROVAL

THIS DOCUMENT CONTAINS CONFIDENTIAL INFORMATION PROPRIETARY TO CONXALL CORPORATION. ANY REPRODUCTION, DISCLOSURE, OR USE OF THIS DOCUMENT /INFORMATION IS EXPRESSLY PROHIBITED UNLESS AUTHORIZED IN WRITING BY CONXALL CORPORATION.

APPROVED BY: _____

DATE: _____

RoHS COMPLIANT

0A	PNK	01-15-18	PDR 16014
REV.	INIT.	DATE	DESCRIPTION
	PNK	01-15-18	ORIG. DRAWN BY: DATE: PNK 01-15-18
ALL INFORMATION ILLUSTRATED IS THE PROPERTY OF CONXALL CORPORATION. UNAUTHORIZED DUPLICATION OR DISTRIBUTION OF THIS DOCUMENT IS PROHIBITED.			
<p>601 E. WILDWOOD VILLA PARK, IL 60181</p>			
TITLE: CABLE-END CONNECTOR 2 #16 + 6 #26 PIN CONTACTS INSTA-CLICK™ MINI-CON-X POWER/SIGNAL CUSTOMER: STANDARD PRODUCT			
ALL UNITS ARE IN FEET, INCHES, FRACTION OF INCHES AND DECIMALS. UNLESS OTHERWISE SPECIFIED TOLERANCES: 3 PLACE DECIMALS ±0.010 ANGLES ±1° FRACTIONS ±1/16 ▽ = CRITICAL CHARACTERISTIC FLAG PER SPEC. XXXX		APPROVED BY: _____ DATE: _____	SCALE: NTS SIZE: B SHEET: 1 OF 1 FILE: W6A8X-8PG-P-5XX_CD DIRECTORY: SLW
PART NUMBER: W6A8X-8PG-P-5XX			REV 0A