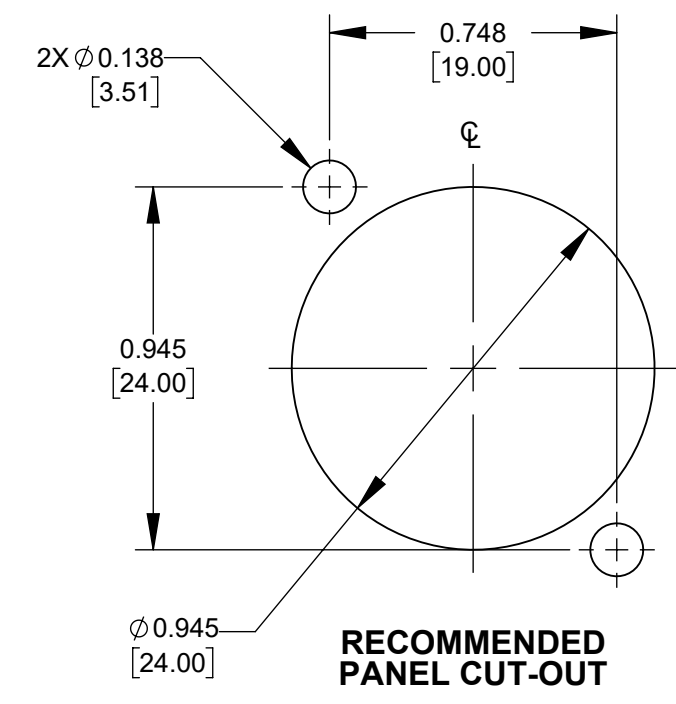


E4MSC SHOWN



PART NUMBER MATRIX

E	4	M	SC	
E SERIES CONNECTOR	4 CONTACTS	MALE	SOLDER CUPS	
				MOUNTING HOLES: BLANK - Ø 0.138 W/COUNTERSINK HOLE M3 - M3 x 0.5 THREAD 440 - #4-40 THREAD PIN CONTACT FINISH: BLANK - SILVER AU - GOLD HOUSING FINISH: BLANK - NICKEL B - BLACK

- NOTES:**
- MATERIALS:**
 HOUSING - ZINC ALLOY. SEE P/N MATRIX FOR FINISH.
 INSULATOR - BLACK THERMOPLASTIC
 GROUND TERMINAL - TIN PLATED COPPER ALLOY
 PIN CONTACT - BRASS. SEE P/N MATRIX FOR FINISH.
 - THESE PRODUCTS ARE RoHS COMPLIANT.

CUSTOMER DRAWING

UNLESS OTHERWISE SPECIFIED					THIS DRAWING DESCRIBES A DESIGN CONSIDERED PROPRIETARY IN NATURE, DEVELOPED AND MANUFACTURED BY SWITCHCRAFT INC. AND IS RELEASED ON A CONFIDENTIAL BASIS FOR IDENTIFICATION PURPOSES ONLY.				
1. ALL DIMENSIONS IN INCHES [mm]					SIZE	WIDTH	MULT	LBS/M	TEMPER
- TWO PLACE DECIMALS ±0.02 [0.5]					FINISH SPEC No.				MATERIAL SPEC No.
- THREE PLACE DECIMALS ±0.005 [0.13]					FIRST USED ON		SCALE 2:1		
REV	ECO NUMBER	DATE	BY	APVD	DATE DRAWN	BY	CHKD	APVD	
A	25171	11/04/05	PC	TJK	02/25/25	PC	02/25/25	02/25/25	
REVISIONS					NAME E SERIES CONNECTOR, 4 POS. SOLDER CUP PIN CONTACT, RoHS				
DO NOT SCALE DRAWING					PART No. E4MSC_SERIES				REV A