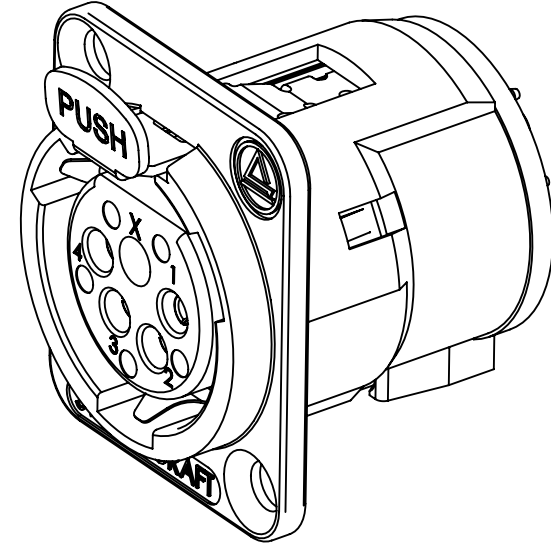
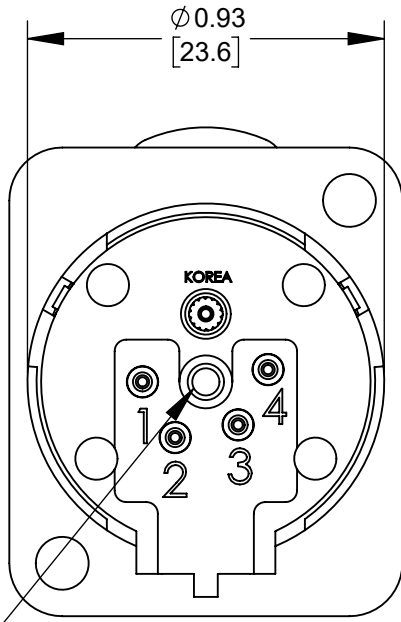
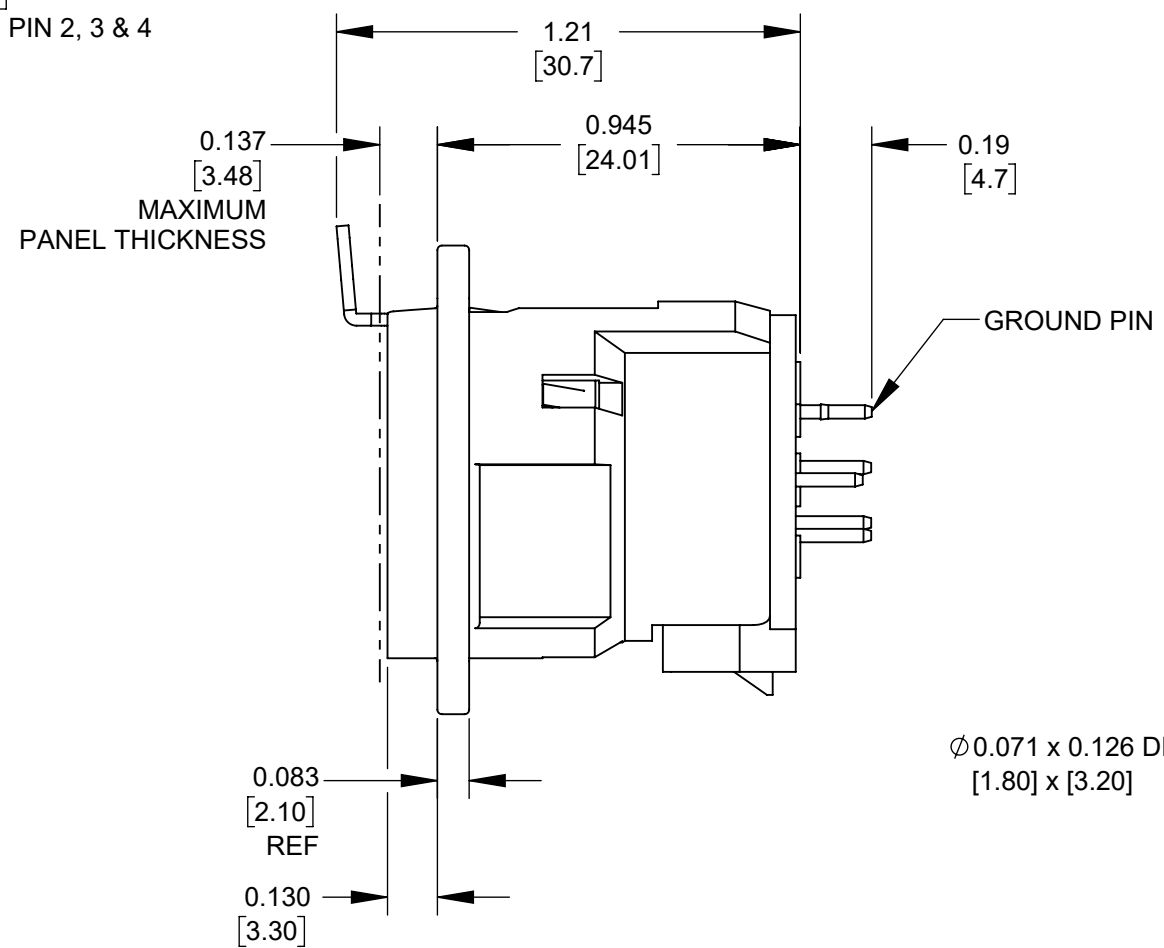
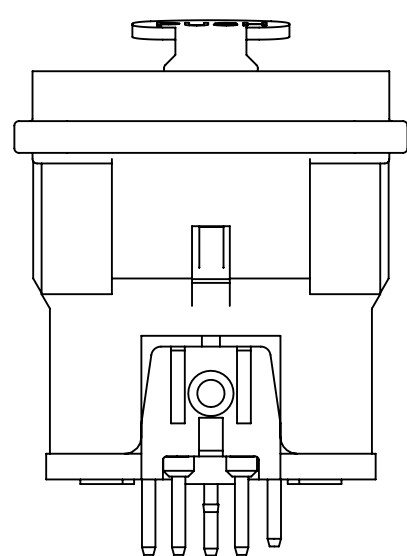


0.034 PIN 1 [0.85]
0.056 PIN 2, 3 & 4 [1.41]



E4FST SHOWN "STANDARD LOCKING" OPTION



PART NUMBER MATRIX

| | | | |
|---|---|---|----|
| E | 4 | F | ST |
|---|---|---|----|

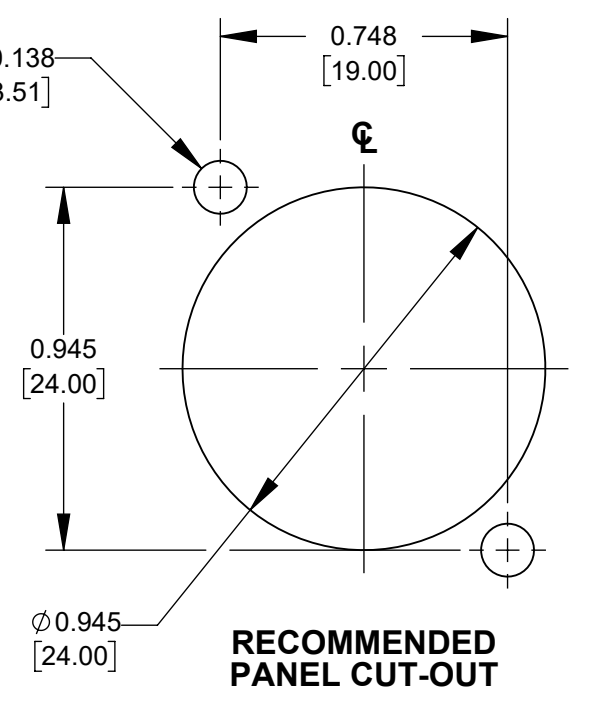
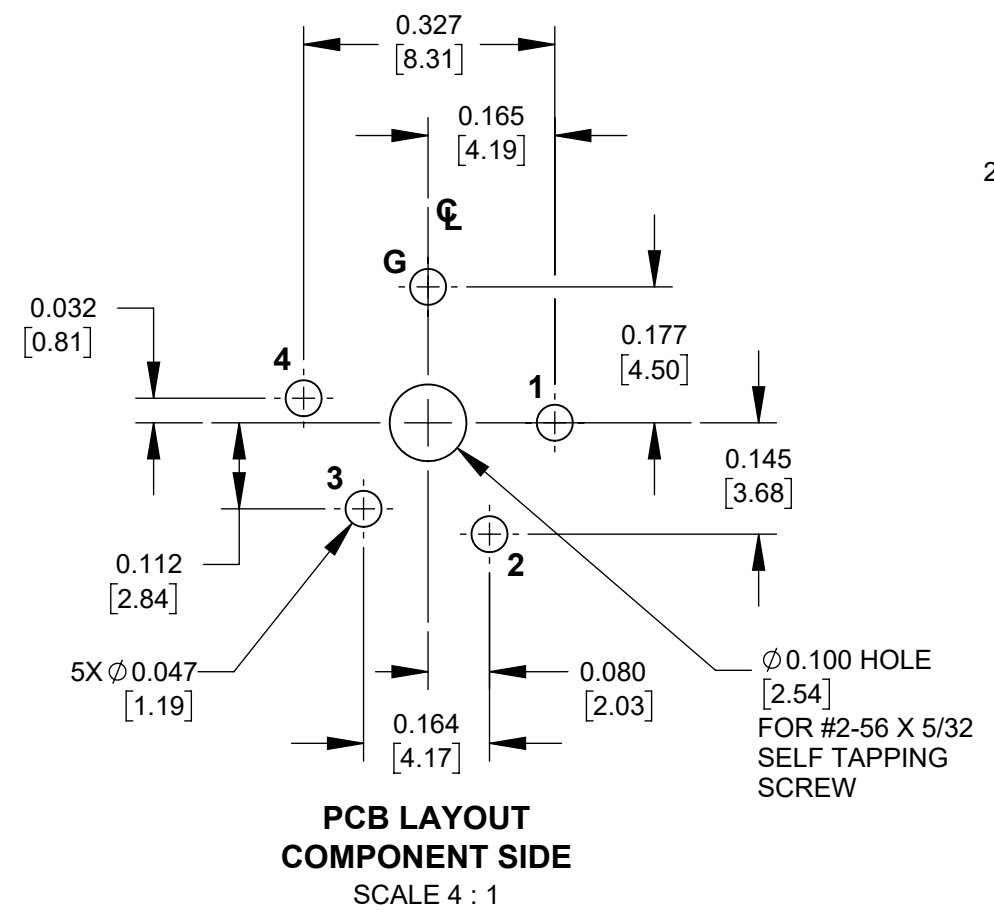
E SERIES CONNECTOR
4 CONTACTS
FEMALE
DISCONNECT OPTION:
BLANK - STANDARD LOCKING
D - FAS-DISCONNECT

MOUNTING HOLES:
BLANK - Ø 0.138 W/COUNTERSINK HOLE
M3 - M3 x 0.5 THREAD
440 - #4-40 THREAD

SOCKET CONTACT FINISH:
BLANK - SILVER
AU - GOLD

HOUSING FINISH:
BLANK - NICKEL
B - BLACK

STRAIGHT PC TERMINALS



CUSTOMER DRAWING

NOTES:
1. MATERIALS:
HOUSING - ZINC ALLOY. SEE P/N MATRIX FOR FINISH.
INSULATOR - BLACK THERMOPLASTIC
GROUND PIN - SILVER PLATED COPPER ALLOY
SOCKET CONTACT - BRASS. SEE P/N MATRIX FOR FINISH.
2. THESE PRODUCTS ARE RoHS COMPLIANT.

| REV | ECO NUMBER | DATE | BY | APVD |
|-----|------------|----------|----|------|
| A | 25171 | 11/04/05 | PC | TJK |

UNLESS OTHERWISE SPECIFIED
1. ALL DIMENSIONS IN INCHES [mm]
- TWO PLACE DECIMALS ±0.02 [0.5]
- THREE PLACE DECIMALS ±0.005 [0.13]

DO NOT SCALE DRAWING

| | | | | |
|--|-------|-------------------|-----------------------|--------|
| THIS DRAWING DESCRIBES A DESIGN CONSIDERED PROPRIETARY IN NATURE, DEVELOPED AND MANUFACTURED BY SWITCHCRAFT INC. AND IS RELEASED ON A CONFIDENTIAL BASIS FOR IDENTIFICATION PURPOSES ONLY. | | | | |
| SIZE | WIDTH | MULT | LBS/M | TEMPER |
| FINISH SPEC No. | | MATERIAL SPEC No. | | |
| FIRST USED ON | | SCALE 2:1 | | |
| DATE DRAWN | BY | CHKD | APVD | |
| 09/17/02 | KJB | 05/30/13 | 02/05/25 | |
| NAME E SERIES CONNECTOR 4 POS. PCB TERMINATION, SOCKET CONTACTS, RoHS | | | PART No. E4FST_SERIES | REV A |