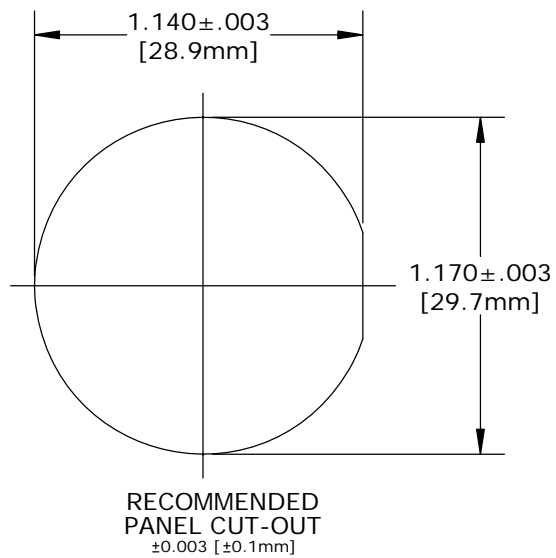
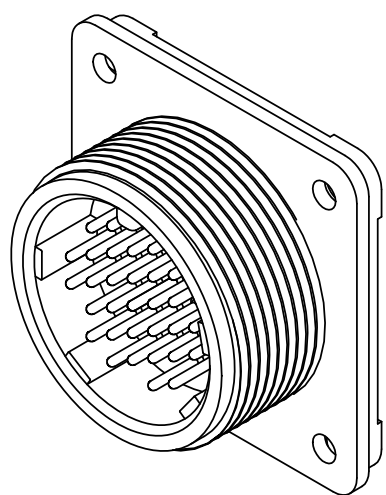
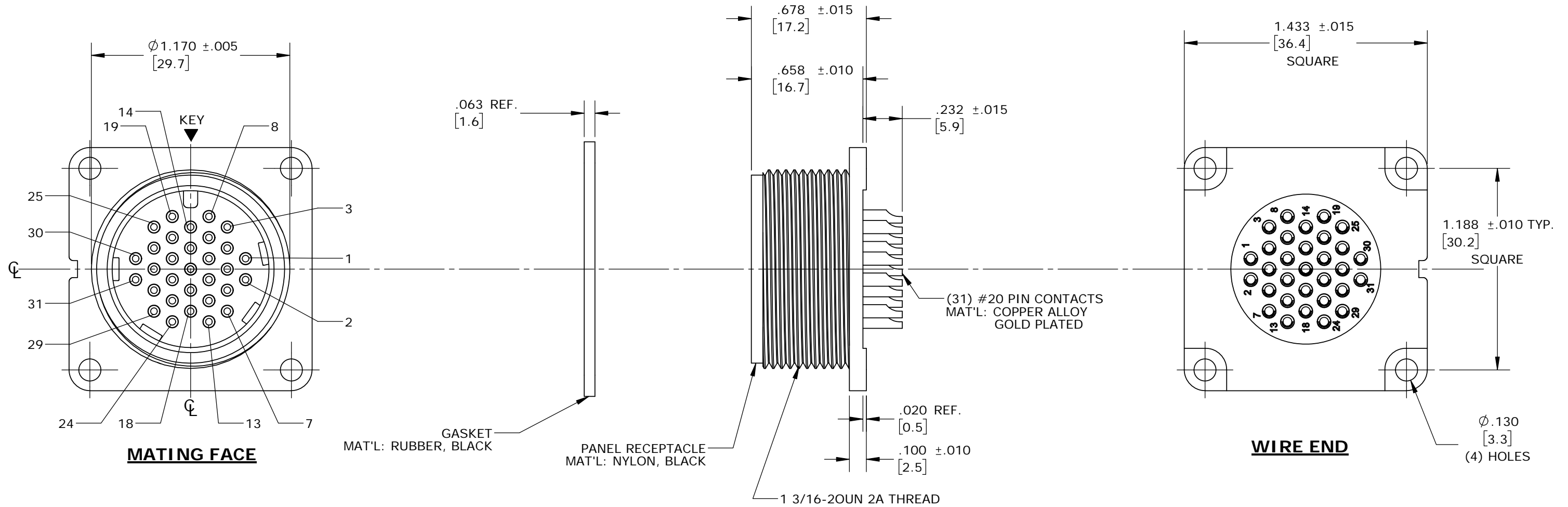


CUSTOMER PRINT

PART NUMBER: 24282-31PGT-300

NOTES:

1. ALL ASSEMBLIES TO BE PACKED IN 50 PCS PER BAG GASKETS TO BE BULKED PACKED.
2. CONTACTS TO BE INSTALLED INTO PANEL CONNECTOR.



DIMENSIONS IN BRACKETS [] ARE METRIC

CUSTOMER APPROVAL

THIS DOCUMENT CONTAINS CONFIDENTIAL INFORMATION PROPRIETARY TO CONXALL CORPORATION. ANY REPRODUCTION, DISCLOSURE, OR USE OF THIS DOCUMENT /INFORMATION IS EXPRESSLY PROHIBITED UNLESS AUTHORIZED IN WRITING BY CONXALL CORPORATION.

APPROVED BY: _____
 DATE: _____

RoHS COMPLIANT

A	SS	09-04-19	DRAWING CREATED PER DOR 19-E149SL #10	
REV.	INIT.	DATE	DESCRIPTION	
	SS	09-04-19	PANEL CONNECTOR ASSY 31 #20 PIN CONTACTS MEGA-CON-X STANDARD PRODUCT	
<small>ALL INFORMATION ILLUSTRATED IS THE PROPERTY OF "CONXALL CORPORATION". UNAUTHORIZED DUPLICATION OR DISTRIBUTION OF THIS DOCUMENT IS PROHIBITED.</small>				
<small>ALL UNITS ARE IN FEET, INCHES, FRACTION OF INCHES AND DECIMALS.</small>			601 E. WILDWOOD VILLA PARK, IL 60181	
ORIG. DRAWN BY: SS CHECKED BY: _____ APPROVED BY: _____		TITLE: PANEL CONNECTOR ASSY 31 #20 PIN CONTACTS MEGA-CON-X STANDARD PRODUCT		
SCALE	SIZE	SHEET	CUSTOMER: STANDARD PRODUCT	
NTS	B	1 OF 1		
FILE:	DIRECTORY:	PART NUMBER:	REV	
24282-31PGT-300	SLW	24282-31PGT-300	A	