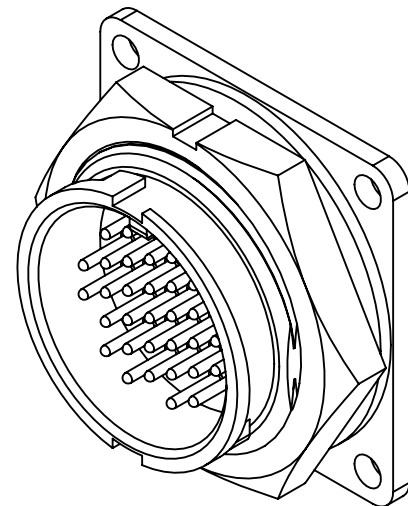
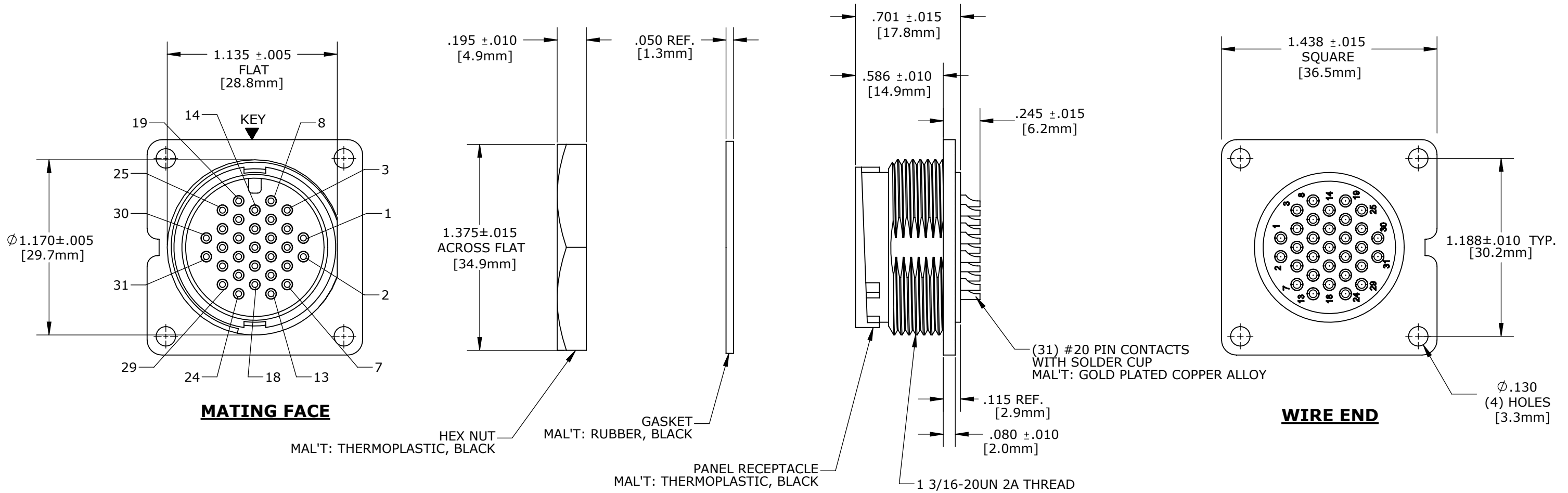


- NOTES:**
1. PARTS ARE BULK PACKED IN 50 PCS. PER BAG.
 2. CONTACT TO BE INSTALLED INTO CONNECTOR AND SOLDER CUP ARE FACING TO THE KEY.
 3. SEE DRAWING HPMGSTD FOR HOLE PATTERN

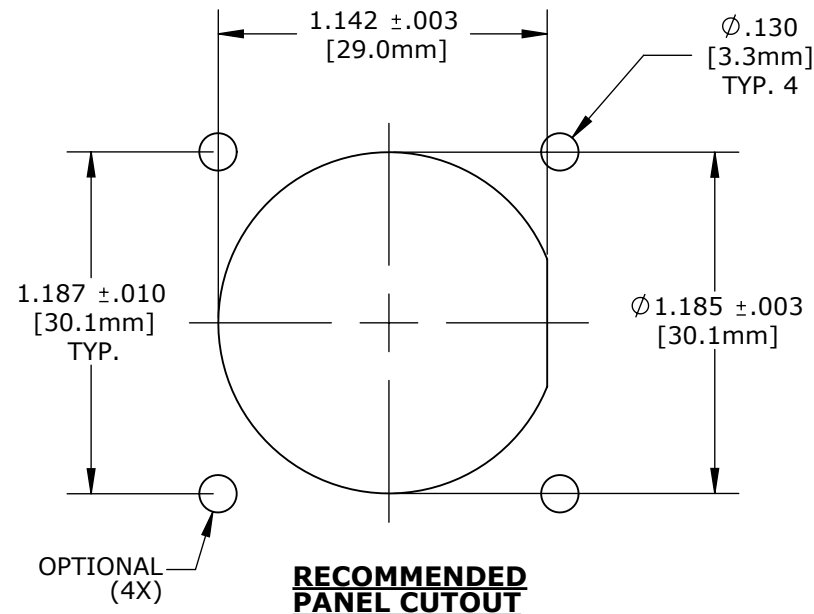


CUSTOMER APPROVAL

THIS DOCUMENT CONTAINS CONFIDENTIAL INFORMATION PROPRIETARY TO CONXALL CORPORATION. ANY REPRODUCTION, DISCLOSURE, OR USE OF THIS DOCUMENT /INFORMATION IS EXPRESSLY PROHIBITED UNLESS AUTHORIZED IN WRITING BY CONXALL CORPORATION.

APPROVED BY: _____

DATE: _____



A	AN	05-06-16	DRAWING CREATED PER DOR 15-E253SL #10	
REV.	INIT.	DATE	DESCRIPTION	
	AN	05-06-16	ORIG. DRAWN BY: AN	DATE: 05-06-16
			CHECKED BY:	
ALL INFORMATION ILLUSTRATED IS THE PROPERTY OF CONXALL CORPORATION. UNAUTHORIZED DUPLICATION OR DISTRIBUTION OF THIS DOCUMENT IS PROHIBITED.			<p>601 E. WILDWOOD VILLA PARK, IL 60181</p>	
UNLESS OTHERWISE SPECIFIED TOLERANCES: 3 PLACE DECIMALS ±.010 ANGLES ±1° FRACTIONS ±1/16				
APPROVED BY:			SCALE: NTS	SIZE: B
TITLE: PANEL CONNECTOR ASSY 31 #20 PIN CONTACTS, SOLDER MEGA-CON-X			SHEET: 1 OF 1	
CUSTOMER: STANDARD PRODUCT			FILE: 24282-31PG-300	DIRECTORY: SLW
PART NUMBER: 24282-31PG-300			REV: A	