

CUSTOMER PRINT

PART NUMBER: W18280-XPG-P-5XX

NOTES:

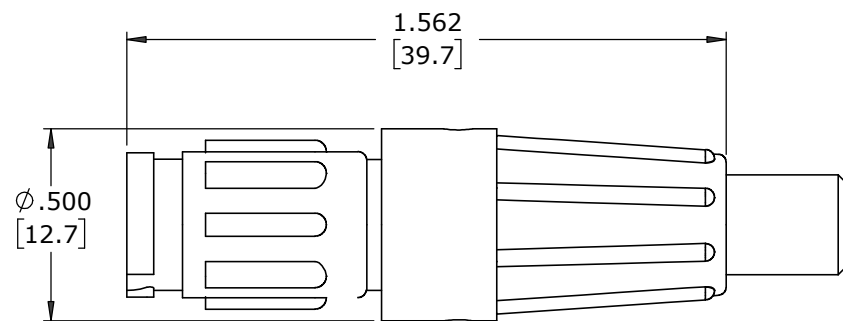
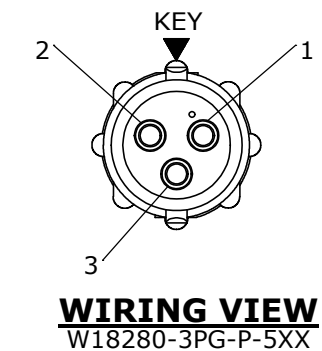
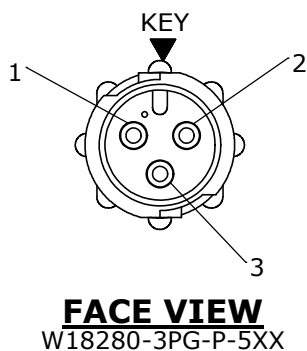
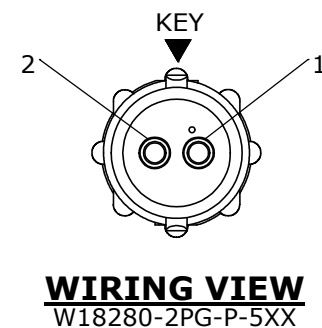
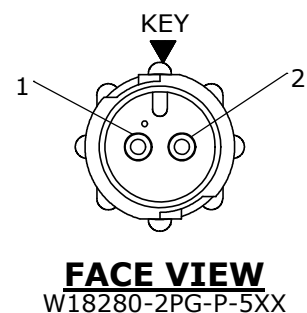
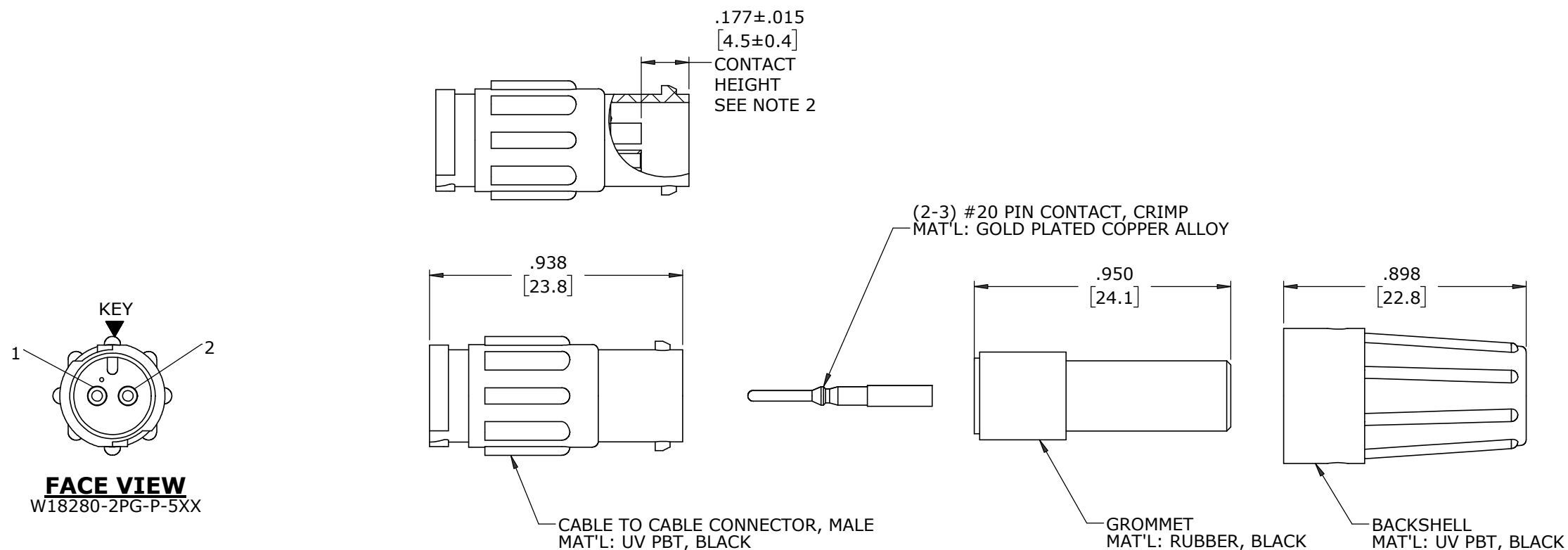
1. ALL PARTS TO BE BULK PACKED
2. CONTACTS SHIPPED UNASSEMBLED
3. ALL DIMENSIONS ARE REFERENCE EXCEPT THOSE WITH A TOLERANCE

ASS'Y P/N	FOR CABLE O.D.
W18280-XPG-P-518	.175-.185 [4.4-4.7]
W18280-XPG-P-521	.205-.215 [5.2-5.5]
W18280-XPG-P-522	.215-.225 [5.5-5.7]

ASS'Y P/N	CONTACT QTY
W18280-2PG-P-5XX	2
W18280-3PG-P-5XX	3
W18280-XPG-P-5XX	

GROMMET SIZE

NUMBER OF CONTACTS



**SHOWN ASSEMBLED**  
FOR CUSTOMER REFERENCE ONLY

DIMENSIONS IN BRACKETS [ ] IN MILLIMETERS

CUSTOMER APPROVAL

THIS DOCUMENT CONTAINS CONFIDENTIAL INFORMATION PROPRIETARY TO CONXALL CORPORATION. ANY REPRODUCTION, DISCLOSURE, OR USE OF THIS DOCUMENT /INFORMATION IS EXPRESSLY PROHIBITED UNLESS AUTHORIZED IN WRITING BY CONXALL CORPORATION.

APPROVED BY: \_\_\_\_\_  
DATE: \_\_\_\_\_

**RoHS COMPLIANT**

REV.	INIT.	DATE	DESCRIPTION
A	MA	08-18-20	RELEASED PER PDR 18004
	JGK	11/21/19	DRAWING CREATED FOR PDR #18004.

ALL INFORMATION ILLUSTRATED IS THE PROPERTY OF "CONXALL CORPORATION". UNAUTHORIZED DUPLICATION OR DISTRIBUTION OF THIS DOCUMENT IS PROHIBITED.	ORIG. DRAWN BY: JGK DATE: 8/22/19	 601 E. WILDWOOD VILLA PARK, IL 60181
ALL UNITS ARE IN FEET, INCHES, FRACTION OF INCHES AND DECIMALS. UNLESS OTHERWISE SPECIFIED TOLERANCES: 3 PLACE DECIMALS ±.005 ANGLES ±1° FRACTIONS ±1/16 - CRITICAL CHARACTERISTIC FLAG PER SPEC. XXXX	CHECKED BY: _____	
APPROVED BY: _____		TITLE: CABLE TO CABLE CONN. ASS'Y (2-3) #20 PIN CONTACTS, CRIMP INSTA-CLICK™ MICRO-CON-X STANDARD PRODUCT
SCALE: NTS	SIZE: B	SHEET: 1 OF 1
FILE: W18280-XPG-P-5XX	DIRECTORY: SLW	CUSTOMER: W18280-XPG-P-5XX