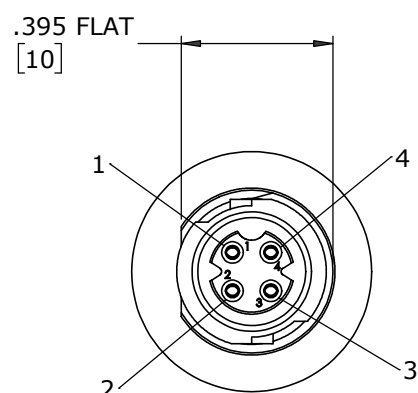


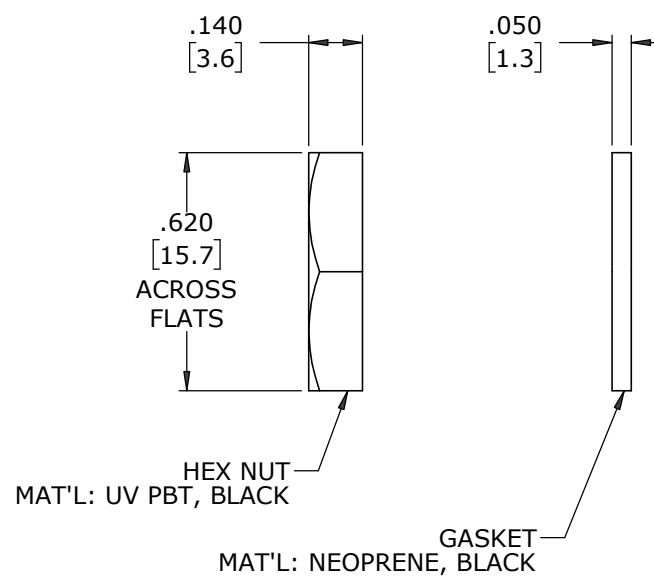
**NOTES:**

1. CONNECTORS TO BE PACKED IN PARTITION BOX, 200 PC PER BOX. HEX NUT AND GASKET TO BE BULK PACKED IN A SEPARATE BAG FROM ASSEMBLY PACKAGE.
  - a) INNER BOX LABELED WITH CXA PART NUMBER, QUANTITY, LOT # AND DATE CODE AS SHOWN
2. CONTACTS INSERTED INTO HOUSING AS SHOWN.
3. SEE DRAWING HPMCSTD FOR HOLE PATTERN.
4. ALL DIMENSIONS ARE REFERENCE EXCEPT THOSE WITH A TOLERANCE

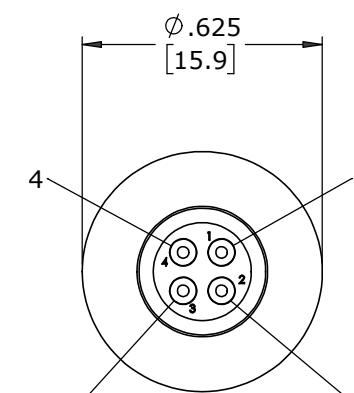
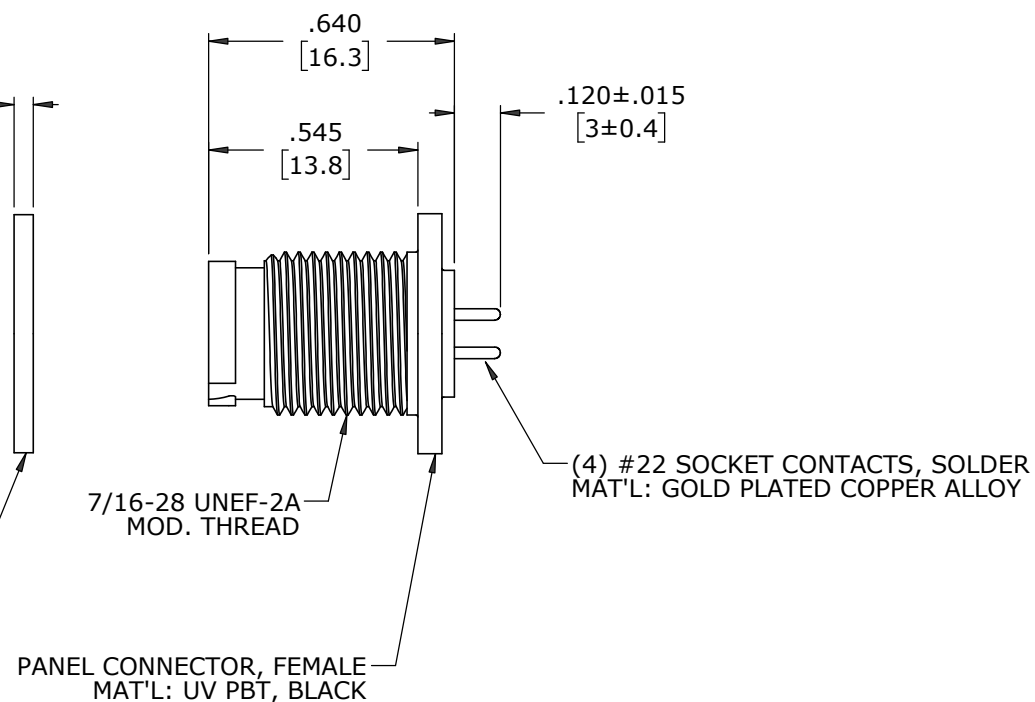
P/N: W17883-4SG-P-300  
 CONXALL  
 QTY:  
 Lot:  
 Date Code:



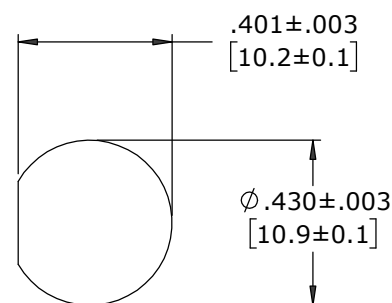
**FACE VIEW**  
 W17883-4SG-P-300



HEX NUT  
 MAT'L: UV PBT, BLACK  
 GASKET  
 MAT'L: NEOPRENE, BLACK



**WIRE VIEW**  
 W17883-4SG-P-300



**RECOMMENDED  
 PANEL CUT-OUT**

**CUSTOMER APPROVAL**

THIS DOCUMENT CONTAINS CONFIDENTIAL INFORMATION PROPRIETARY TO CONXALL CORPORATION. ANY REPRODUCTION, DISCLOSURE, OR USE OF THIS DOCUMENT /INFORMATION IS EXPRESSLY PROHIBITED UNLESS AUTHORIZED IN WRITING BY CONXALL CORPORATION.

APPROVED BY: \_\_\_\_\_  
 DATE: \_\_\_\_\_

A	MA	08-06-20	RELEASED PER PDR 18004-2
	JGK	8/13/19	DRAWING CREATED FOR PDR #18004
REV.	INIT.	DATE	DESCRIPTION
	JGK	8/13/19	ORIG. DRAWN BY: DATE: JGK 8/13/19
ALL INFORMATION ILLUSTRATED IS THE PROPERTY OF "CONXALL CORPORATION". UNAUTHORIZED DUPLICATION OR DISTRIBUTION OF THIS DOCUMENT IS PROHIBITED.			 601 E. WILDWOOD VILLA PARK, IL 60181
ALL UNITS ARE IN FEET, INCHES, FRACTION OF INCHES AND DECIMALS.			
APPROVED BY:		TITLE: PANEL MOUNT ASSEMBLY (4) #22 SOCKET CONTACTS, PC TAIL INSTA-CLICK™ MICRO-CON-X STANDARD PRODUCT	
SCALE	SIZE	SHEET	CUSTOMER:
NTS	B	1 OF 1	W17883-4SG-P-300
FILE:	DIRECTORY:	PART NUMBER:	REV
W17883-4SG-P-300	SLW	W17883-4SG-P-300	A

DIMENSIONS IN BRACKETS [ ] ARE IN MILLIMETERS UNLESS INDICATED

**RoHS COMPLIANT**

— CRITICAL CHARACTERISTIC FLAG PER SPEC. XXXX