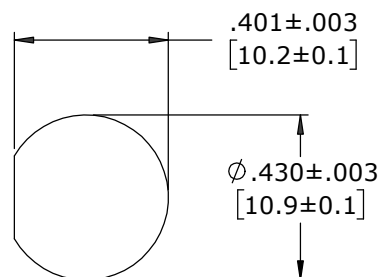
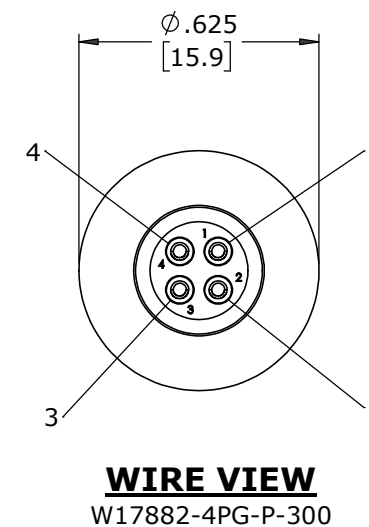
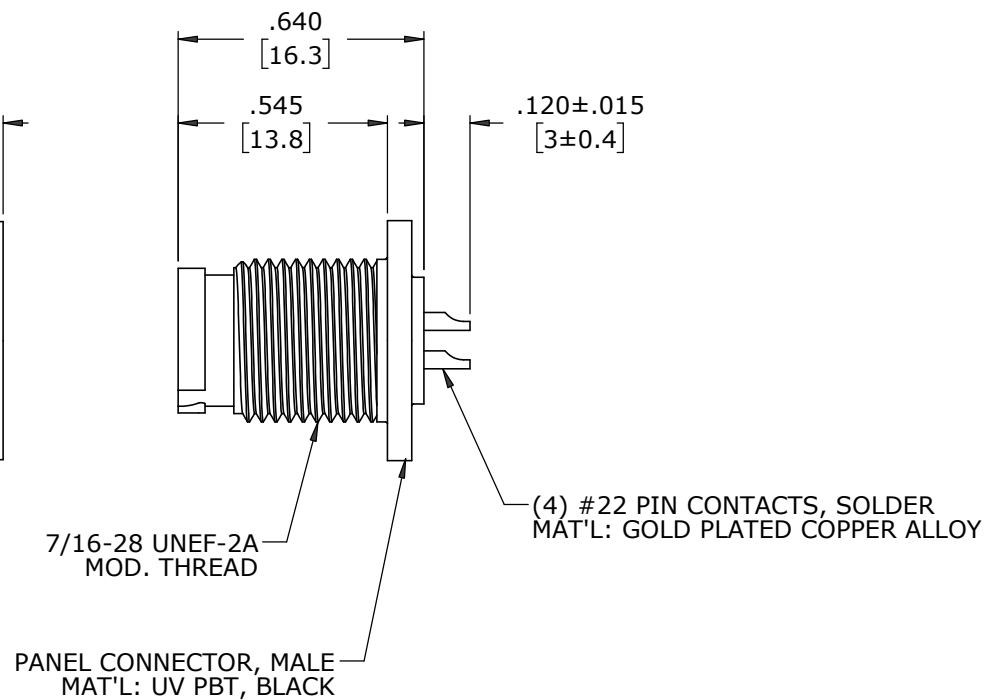
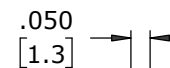
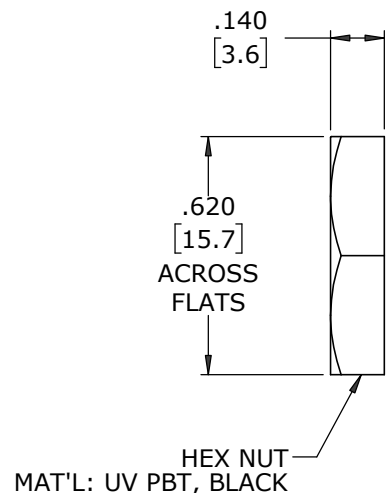
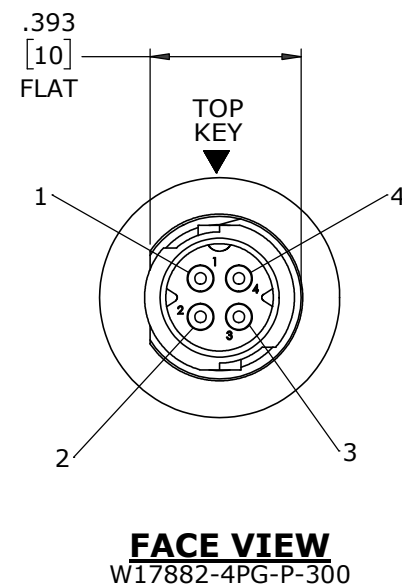


NOTES:

1. ALL PARTS TO BE BULK PACKED
2. CONTACTS ASSEMBLED INTO CONNECTOR WITH SOLDER CUPS FACING TOP KEY
3. ALL DIMENSIONS ARE REFERENCE EXCEPT THOSE WITH A TOLERANCE




DIMENSIONS IN BRACKETS [] ARE IN MILLIMETERS UNLESS INDICATED

CUSTOMER APPROVAL

THIS DOCUMENT CONTAINS CONFIDENTIAL INFORMATION PROPRIETARY TO CONXALL CORPORATION. ANY REPRODUCTION, DISCLOSURE, OR USE OF THIS DOCUMENT /INFORMATION IS EXPRESSLY PROHIBITED UNLESS AUTHORIZED IN WRITING BY CONXALL CORPORATION.

APPROVED BY: _____
DATE: _____

RoHS COMPLIANT

A	MA	08-06-20	RELEASED PER PDR 18004-2
	JGK	8/13/19	DRAWING CREATED PFOR PDR #18004
REV.	INIT.	DATE	DESCRIPTION
	JGK	8/13/19	ORIG. DRAWN BY: DATE: JGK 8/13/19
ALL INFORMATION ILLUSTRATED IS THE PROPERTY OF "CONXALL CORPORATION". UNAUTHORIZED DUPLICATION OR DISTRIBUTION OF THIS DOCUMENT IS PROHIBITED.			 601 E. WILDWOOD VILLA PARK, IL 60181
ALL UNITS ARE IN FEET, INCHES, FRACTION OF INCHES AND DECIMALS.			
APPROVED BY:		TITLE: PANEL MOUNT ASSEMBLY (4) #22 PIN CONTACTS, SOLDER INSTA-CLICK™ MICRO-CON-X STANDARD PRODUCT	
SCALE	SIZE	SHEET	CUSTOMER:
NTS	B	1 OF 1	W17882-4PG-P-300
FILE:	DIRECTORY:	PART NUMBER:	REV
W17882-4PG-P-300	SLW	W17882-4PG-P-300	A