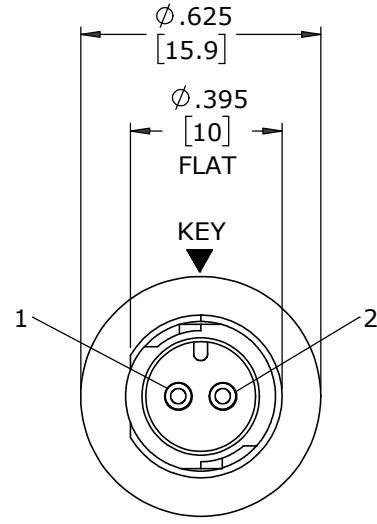


ASS'Y P/N	NO. OF CONTACTS
W17292-2PG-P-300	2
W17292-3PG-P-300	3

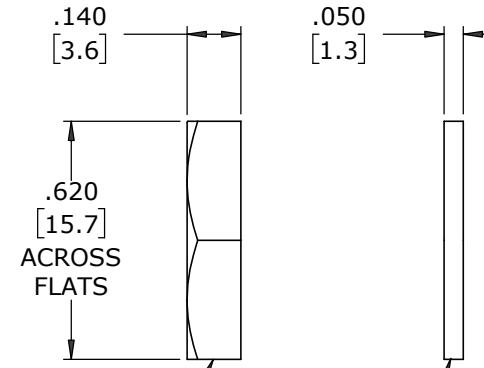
NOTES:

- PANEL CONNECTORS TO BE PACKED IN PARTITION BOX, 200 PC PER BOX
HEX NUT AND GASKET TO BE BULK PACKED IN A SEPARATE BAG
FROM PANEL ASSEMBLY PACKAGE.
a) INNER BOX LABELED WITH CXA PART NUMBER, QUANTITY, LOT #
AND DATE CODE AS SHOWN
- CONTACTS ARE INSERTED INTO PANEL CONNECTOR.
- SEE DRAWING HPMCSTD FOR HOLE PATTERN
- ALL DIMENSIONS ARE FOR REFERENCE ONLY UNLESS OTHERWISE SPECIFIED.

P/N: W17292-XPG-P-300
CONXALL
QTY:
Lot:
Date Code:



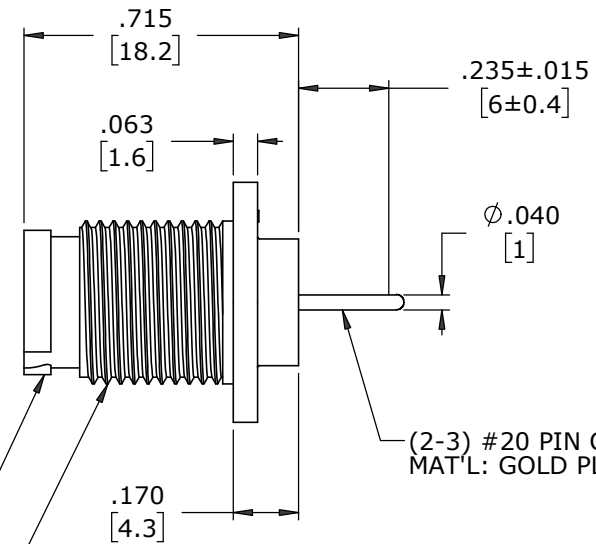
FACE VIEW
W17292-2PG-P-300



HEX NUT
MAT'L: UV PBT, BLACK

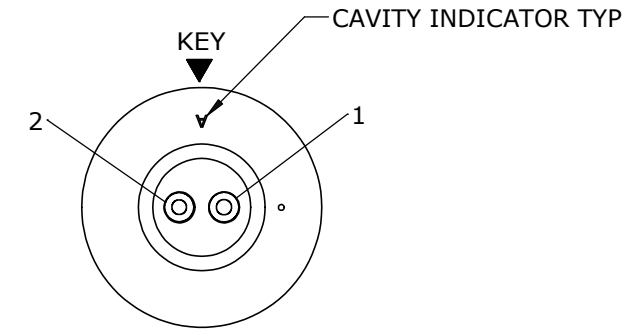
GASKET
MAT'L: NEOPRENE, BLACK

PANEL CONNECTOR, MALE
MAT'L: UV PBT, BLACK

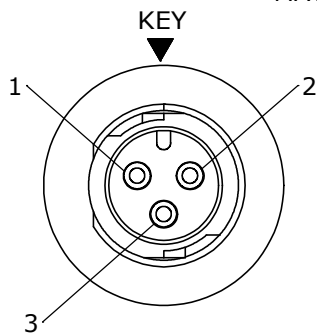


(2-3) #20 PIN CONTACTS
MAT'L: GOLD PLATED COPPER ALLOY

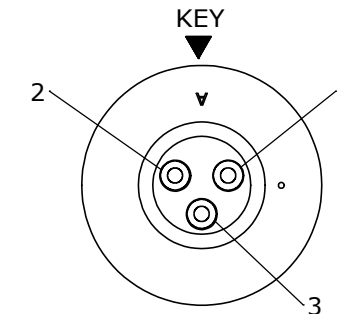
7/16-28UNEF-2A
MODIFIED THREAD



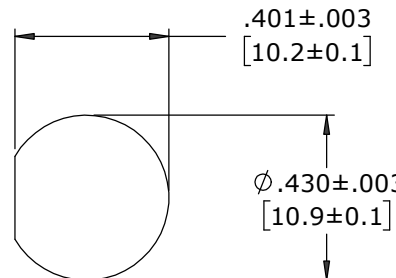
WIRE VIEW
W17292-2PG-P-300



FACE VIEW
W17292-3PG-P-300



WIRE VIEW
W17292-3PG-P-300



**RECOMMENDED
PANEL CUT-OUT**

CUSTOMER APPROVAL

THIS DOCUMENT CONTAINS CONFIDENTIAL INFORMATION PROPRIETARY TO CONXALL CORPORATION. ANY REPRODUCTION, DISCLOSURE, OR USE OF THIS DOCUMENT /INFORMATION IS EXPRESSLY PROHIBITED UNLESS AUTHORIZED IN WRITING BY CONXALL CORPORATION.

APPROVED BY: _____
DATE: _____

A	MA	07-28-20	DRAWING CREATED PER PDR 18004-2	
REV.	INIT.	DATE	DESCRIPTION	
	MA	07-28-20	ORIG. DRAWN BY: DATE: 07-28-20	
ALL INFORMATION ILLUSTRATED IS THE PROPERTY OF "CONXALL CORPORATION". UNAUTHORIZED DUPLICATION OR DISTRIBUTION OF THIS DOCUMENT IS PROHIBITED.			 601 E. WILDWOOD VILLA PARK, IL 60181	
ALL UNITS ARE IN FEET, INCHES, FRACTION OF INCHES AND DECIMALS.				
APPROVED BY:			TITLE: PANEL MOUNT ASSEMBLY (2-3) #20 PIN CONTACTS, XL PC TAIL INSTA-CLICK™ MICRO-CON-X STANDARD PRODUCT	
SCALE	SIZE	SHEET	CUSTOMER:	
NTS	B	1 OF 1	PART NUMBER: W17292-XPG-P-300	
FILE:	DIRECTORY:	PART NUMBER:	REV	
W17292-XPG-P-300	SLW	W17292-XPG-P-300	A	

DIMENSIONS IN BRACKETS [] ARE IN MILLIMETERS UNLESS INDICATED

RoHS COMPLIANT

CRITICAL CHARACTERISTIC FLAG PER SPEC. XXXX

CUSTOMER PRINT

PART NUMBER: W17292-XPG-P-300