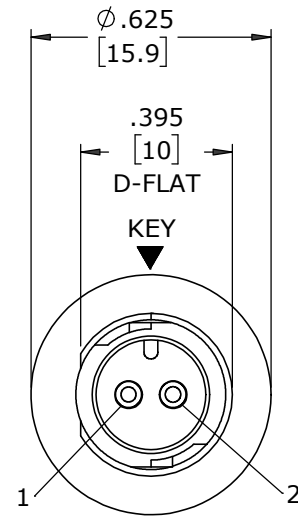


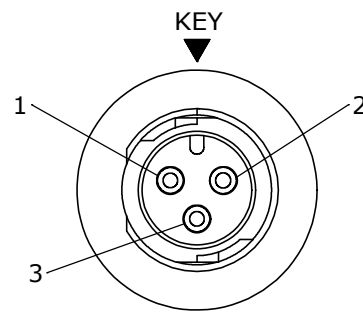
| ASS'Y P/N | CONTACT QTY |
|------------------|-------------|
| W17281-2PG-P-3ES | 2 #20 |
| W17281-3PG-P-3ES | 3 #20 |

NOTES:

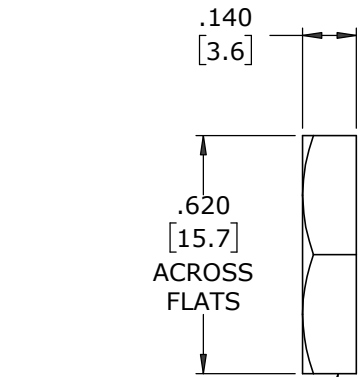
1. ALL PARTS TO BE BULK PACKED
2. CONTACTS TO BE INSERTED INTO HOUSING AS SHOWN.
3. BACK END OF CONNECTOR FILLED WITH EPOXY
4. SEE DRAWING HPMCSTD FOR HOLE PATTERN.
5. ALL DIMENSIONS ARE REFERENCE EXCEPT THOSE WITH A TOLERANCE



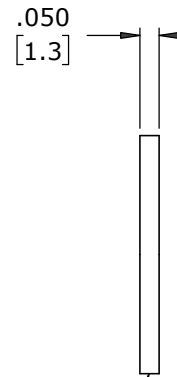
FACE VIEW
W17281-2PG-P-3ES



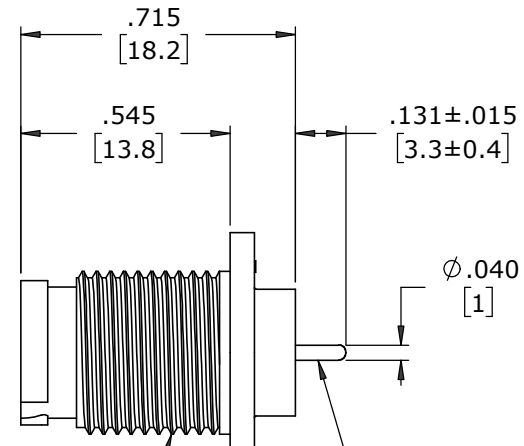
FACE VIEW
W17281-3PG-P-3ES



HEX NUT
MAT'L: UV PBT, BLACK

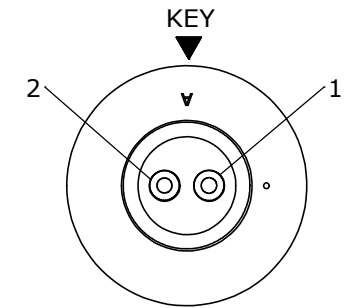


GASKET
MAT'L: NEOPRENE, BLACK

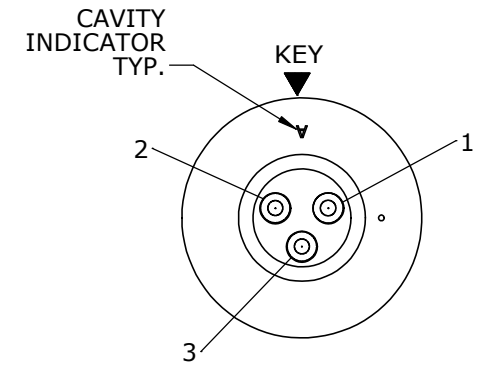


7/16-28 UNEF-2A
MOD, THREAD
PANEL CONNECTOR, MALE
MAT'L: UV PBT, BLACK

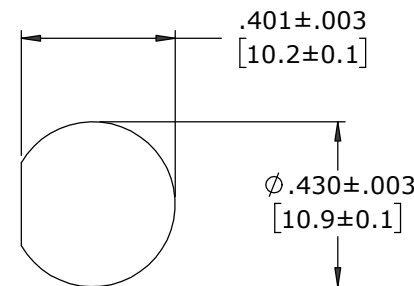
(2-3) #20 PIN CONTACTS, PC TAIL
MAT'L: GOLD PLATED COPPER ALLOY



WIRE VIEW
W17281-2PG-P-3ES



WIRE VIEW
W17281-3PG-P-3ES



**RECOMMENDED
PANEL CUT-OUT**

CUSTOMER APPROVAL

THIS DOCUMENT CONTAINS CONFIDENTIAL INFORMATION PROPRIETARY TO CONXALL CORPORATION. ANY REPRODUCTION, DISCLOSURE, OR USE OF THIS DOCUMENT /INFORMATION IS EXPRESSLY PROHIBITED UNLESS AUTHORIZED IN WRITING BY CONXALL CORPORATION.

APPROVED BY: _____
DATE: _____

| | | | |
|--|------------|---|--|
| A | MA | 08-05-20 | DRAWING CREATED PER PDR 18004-2 |
| REV. | INIT. | DATE | DESCRIPTION |
| | MA | 08-05-20 | ORIG. DRAWN BY: DATE: 08-05-20 |
| ALL INFORMATION ILLUSTRATED IS THE PROPERTY OF "CONXALL CORPORATION". UNAUTHORIZED DUPLICATION OR DISTRIBUTION OF THIS DOCUMENT IS PROHIBITED. | | | 601 E. WILDWOOD VILLA PARK, IL 60181 |
| ALL UNITS ARE IN FEET, INCHES, FRACTION OF INCHES AND DECIMALS. | | | |
| APPROVED BY: | | TITLE: PANEL ASSEMBLY (2-3) #20 PIN CONTACTS, PC TAIL INSTA-CLICK™ MICRO-CON-X STANDARD PRODUCT | |
| SCALE | SIZE | SHEET | CUSTOMER: |
| NTS | B | 1 OF 1 | W17281-XPG-P-3ES |
| FILE: | DIRECTORY: | PART NUMBER: | REV |
| W17281-XPG-P-3ES | SLW | W17281-XPG-P-3ES | A |

DIMENSIONS IN BRACKETS [] ARE IN MILLIMETERS UNLESS INDICATED

RoHS COMPLIANT

▷ - CRITICAL CHARACTERISTIC FLAG PER SPEC. XXXX

CUSTOMER PRINT

PART NUMBER: W17281-XPG-P-3ES