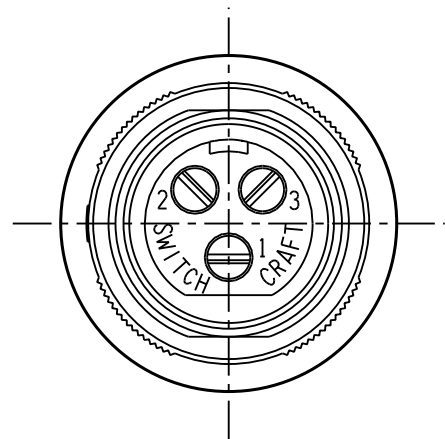
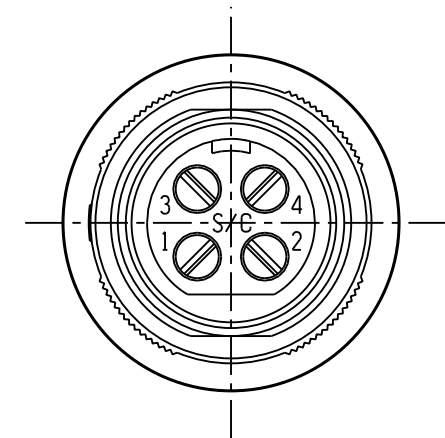


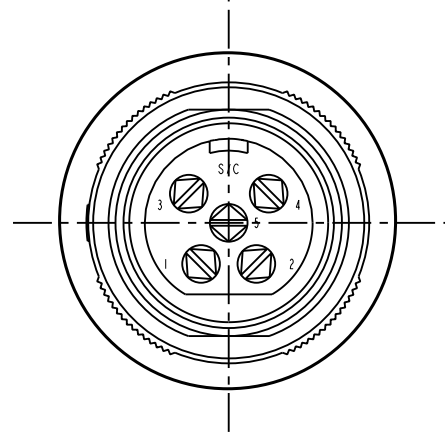
**SL182FX
2 PIN**



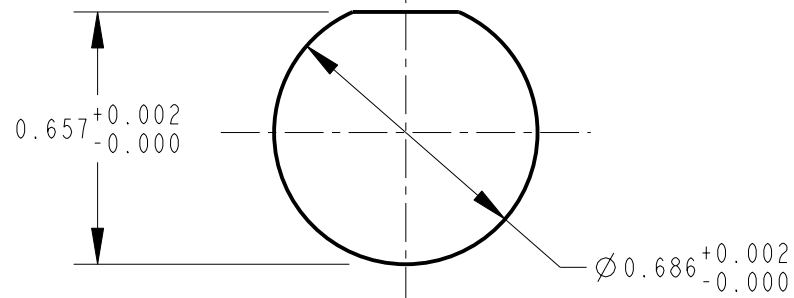
**SL183FX
3 PIN**



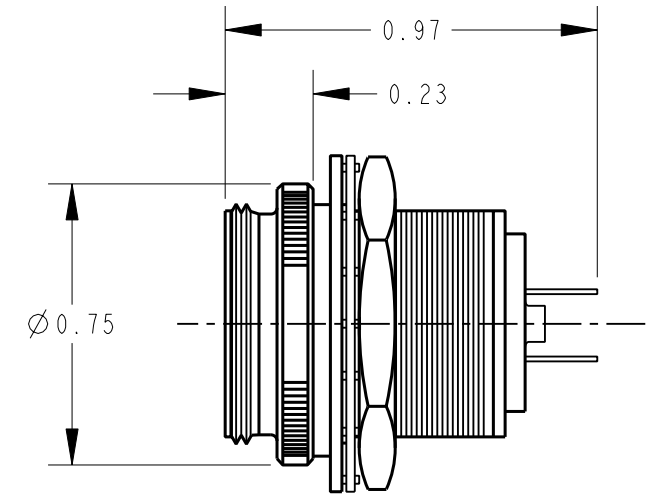
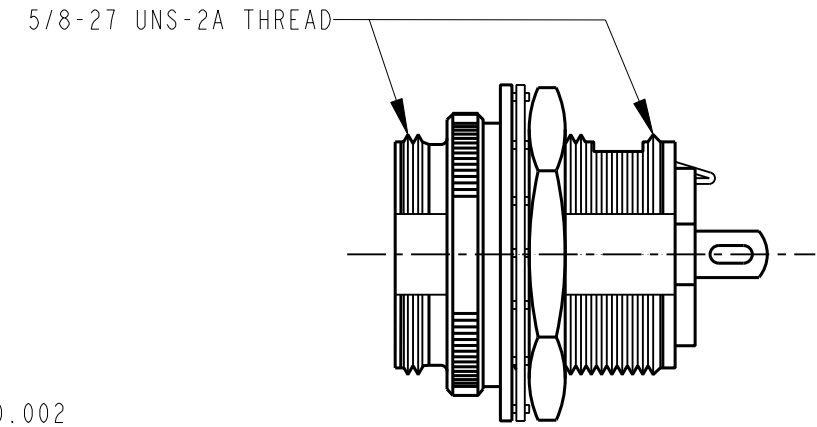
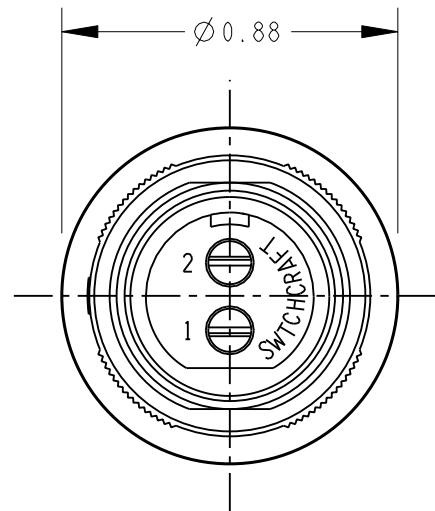
**SL184FX
4 PIN**



**SL185FX
5 PIN**



RECOMMENDED
MOUNTING HOLE LAYOUT



CUSTOMER DRAWING

NOTES:

- MATERIALS:
HOUSING - ZINC, NICKEL PLATED
INSERT - THERMOPLASTIC, BLACK
LATCH & WASHERS - STEEL, NICKEL PLATED
CONTACTS - COPPER ALLOY, SILVER PLATED
HEX NUT - COPPER ALLOY, NICKEL PLATED
- CONTACT AND INSULATOR ASSEMBLY, HOUSING AND HARDWARE SHIPPED UNASSEMBLED.
- THESE PRODUCTS ARE RoHS COMPLIANT.

REV	ECO NUMBER	DATE	BY	APVD
B	27066	12-12-12	TO	TJK
A	26150	9-15-06	TO	TJK
REVISIONS				

★ STAR SYMBOL DENOTES CRITICAL DIMENSION

UNLESS OTHERWISE SPECIFIED

- ALL DIMENSIONS IN INCHES
- TWO PLACE DECIMALS ±0.01
- THREE PLACE DECIMALS ±0.005
- ANGLES ±1°
- ALL DIA. CONCENTRIC WITHIN 0.005 T.I.R.
- FEATURES ON THE SAME CENTERLINE MUST BE ALIGNED WITHIN ±0.002
- REMOVE ALL BURRS

DO NOT SCALE DRAWING

THIS DRAWING DESCRIBES A DESIGN CONSIDERED PROPRIETARY IN NATURE, DEVELOPED AND MANUFACTURED BY SWITCHCRAFT INC. AND IS RELEASED ON A CONFIDENTIAL BASIS FOR IDENTIFICATION PURPOSES ONLY.										
SIZE	WIDTH	MULT	LBS/M	TEMPER						
FINISH					MATERIAL					
SPEC No.					SPEC No.					
FIRST USED ON					SCALE					
					2:1					
DATE DRAWN	BY	CHKD	APVD	Switchcraft®						
26-Mar-13	TO	TO	TJK	SHEET OF						
			3-26-13	3-26-13						
NAME SLIM-LINE FEMALE FRONT PANEL MOUNT RECEPTACLE, RoHS								PART No.		REV
								SL18_FX SERIES		B