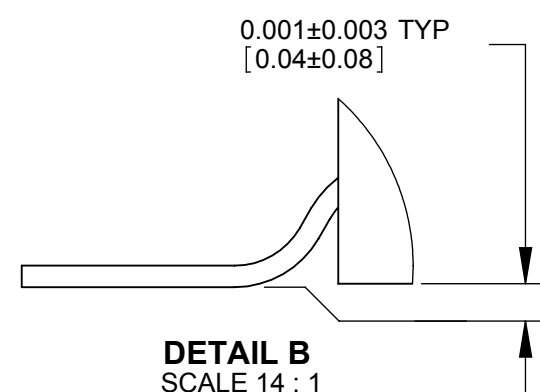
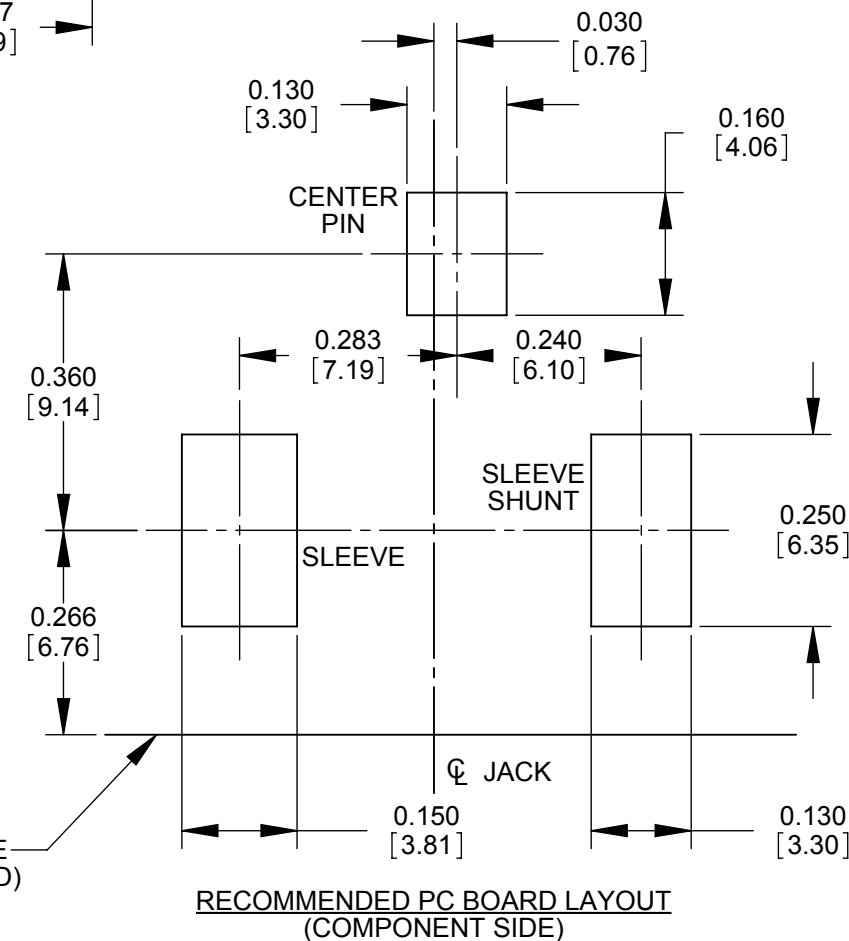
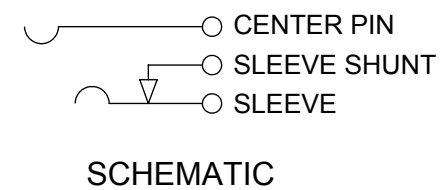


DETAIL A  
SCALE 14 : 1



DETAIL B  
SCALE 14 : 1



**NOTES:**

- THIS PRODUCT IS RoHS COMPLIANT.
- MATERIALS:**  
 CENTER PIN: COPPER ALLOY, NICKEL PLATED  
 SLEEVE CONTACT: SPRING COPPER ALLOY, SILVER PLATED  
 PIN TERMINAL AND SHUNT: COPPER ALLOY, SILVER PLATED  
 HOUSING AND COVER: HIGH TEMPERATURE THERMOPLASTIC, BLACK
- SPECIFICATIONS:**  
 LIFE: 5000 CYCLES;  
 INSERTION FORCE: 5LB [2.3 KG] MAX;  
 WITHDRAWL FORCE: 0.5 LB [0.2 KG] MIN;  
 CONTACT RESISTANCE: 30 MILLIOHM MAX, 60 MILLIOHM MAX. AFTER TEST;  
 INSULATION RESISTANCE: 30 MEGAOHM MIN. @ 100VDC;  
 DIELECTRIC WITHSTANDING VOLTAGE: 250VAC FOR 1 MINUTE;  
 CURRENT (CARRYING): 5A  
 OPERATING TEMPERATURE: -30°C TO +65°C

REV	ECO NUMBER	DATE	BY	APVD
A	ECO 25775	1/22/07	BS	TJK
REVISIONS				

STAR SYMBOL DENOTES CRITICAL DIMENSION

**UNLESS OTHERWISE SPECIFIED**

1. ALL DIMENSIONS IN INCHES

- TWO PLACE DECIMALS ±0.02

- THREE PLACE DECIMALS ±0.005

**DO NOT SCALE DRAWING**

THIS DRAWING DESCRIBES A DESIGN CONSIDERED PROPRIETARY IN NATURE, DEVELOPED AND MANUFACTURED BY SWITCHCRAFT INC. AND IS RELEASED ON A CONFIDENTIAL BASIS FOR IDENTIFICATION PURPOSES ONLY.									
SIZE	WIDTH	MULT	LBS/M	TEMPER					
FINISH					MATERIAL				
SPEC No.					SPEC No.				
FIRST USED ON				SCALE 4:1					
DATE DRAWN	BY	CHKD	APVD	Switchcraft®					
1/17/07	BS	TJK	TJK	SHEET 1 OF 1					
NAME				PART No.			REV		
LOCKING POWER JACK, SM, Ø0.10 [2.5mm], RoHS				RASM712BK			A		

**CUSTOMER DRAWING**