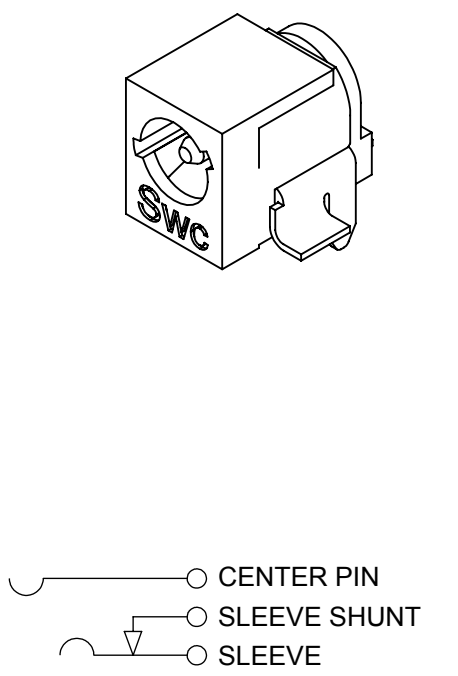


SECTION A-A



SCHEMATIC

NOTES:

1. THIS PRODUCT IS RoHS COMPLIANT.
2. MATERIALS:
 CENTER PIN: COPPER ALLOY, NICKEL PLATED
 SLEEVE CONTACT: SPRING COPPER ALLOY, SILVER PLATED
 PIN TERMINAL AND SHUNT: COPPER ALLOY, SILVER PLATED
 HOUSING AND COVER: HIGH TEMPERATURE THERMOPLASTIC, BLACK
3. SPECIFICATIONS:
 LIFE: 5000 CYCLES;
 INSERTION FORCE: 5LB [2.3 KG] MAX;
 WITHDRAWL FORCE: 0.5 LB [0.2 KG] MIN;
 CONTACT RESISTANCE: 30 MILLIOHM MAX, 60 MILLIOHM MAX. AFTER TEST;
 INSULATION RESISTANCE: 30 MEGAOHM MIN. @ 100VDC;
 DIELECTRIC WITHSTANDING VOLTAGE: 250VAC FOR 1 MINUTE;
 CURRENT (CARRYING): 5A
 OPERATING TEMPERATURE: -30°C TO +65°C

CUSTOMER DRAWING

REV	ECO NUMBER	DATE	BY	APVD
A	28064	08-30-18	PC	TJK

STAR SYMBOL DENOTES CRITICAL DIMENSION

UNLESS OTHERWISE SPECIFIED

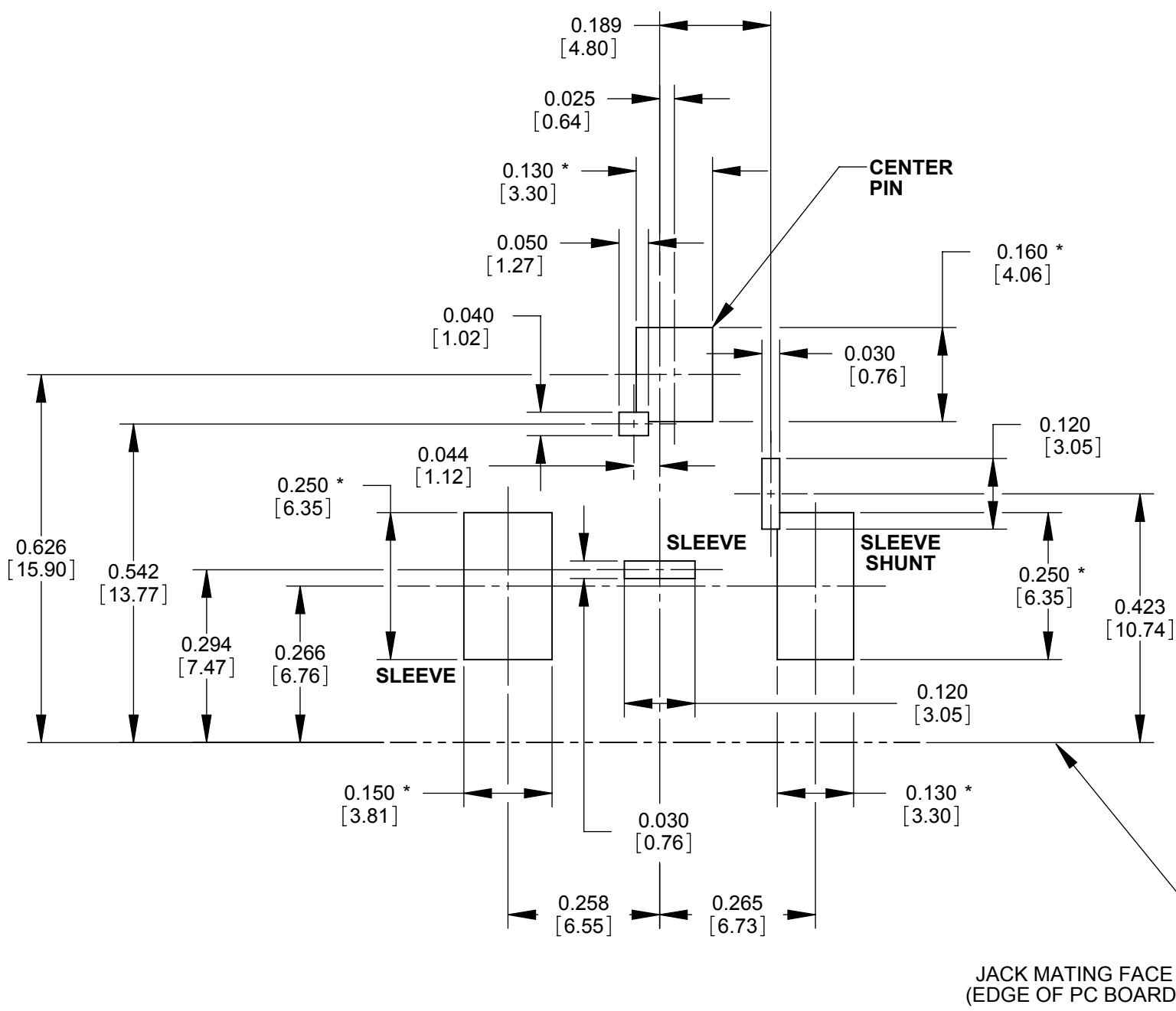
1. ALL DIMENSIONS IN INCHES [mm]

- TWO PLACE DECIMALS ±0.02 [0.5]

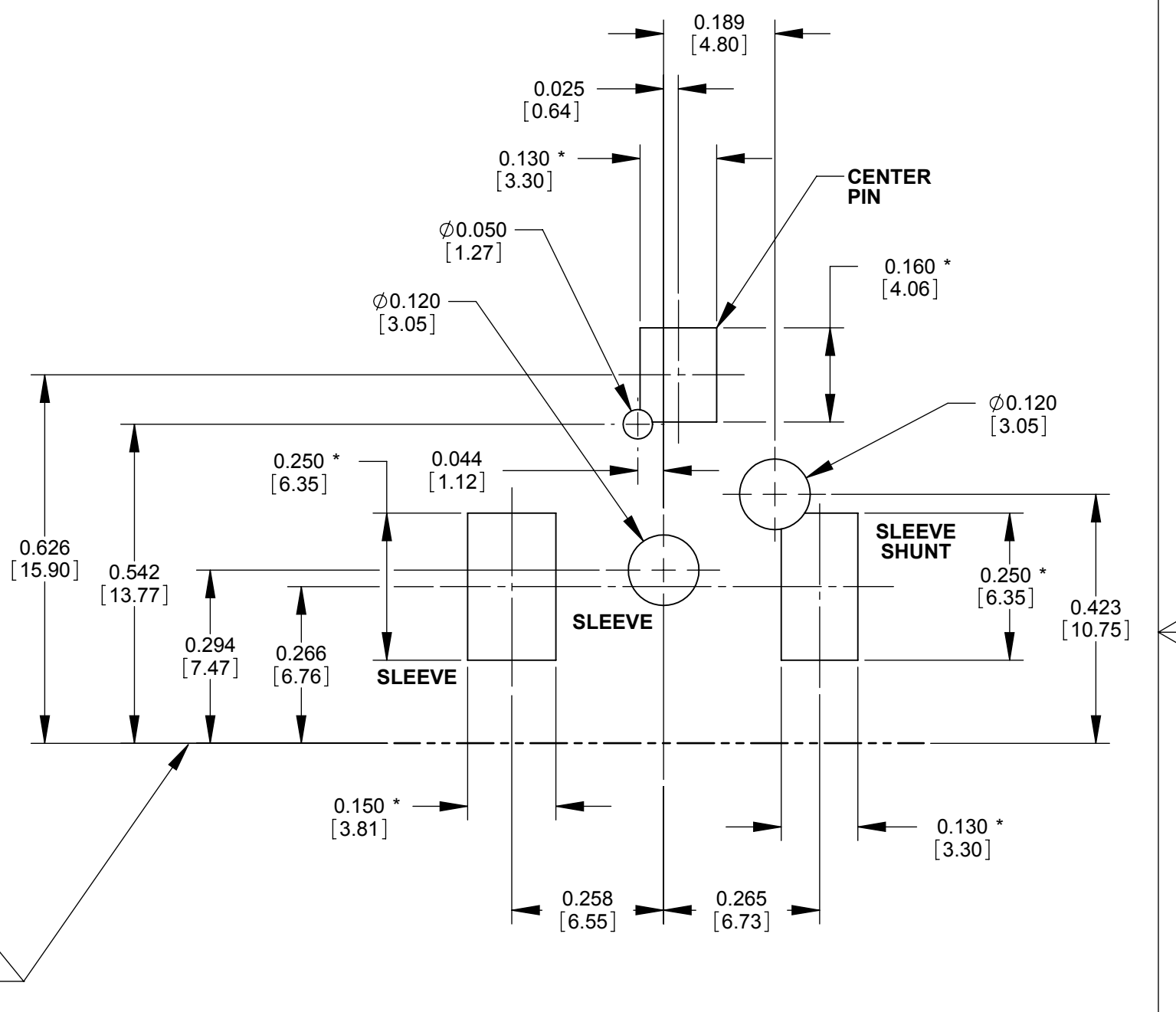
- THREE PLACE DECIMALS ±0.005 [0.13]

DO NOT SCALE DRAWING

THIS DRAWING DESCRIBES A DESIGN CONSIDERED PROPRIETARY IN NATURE, DEVELOPED AND MANUFACTURED BY SWITCHCRAFT INC. AND IS RELEASED ON A CONFIDENTIAL BASIS FOR IDENTIFICATION PURPOSES ONLY.									
SIZE		WIDTH		MULT		LBS/M		TEMPER	
FINISH						MATERIAL			
SPEC No.						SPEC No.			
FIRST USED ON				SCALE		Switchcraft®			
				4:1					
DATE DRAWN	BY	CHKD	APVD	PART No. RASH722BKZ					
10-12-17	SRC	TJK	TJK						
				8/27/18	8/27/18	SHEET 1 OF 2		REV A	
NAME: LOCKING POWER JACK, Ø 0.08 [2.0mm] SURFACE MOUNT/PC HYBRID, RoHS									



RECOMMENDED PC BOARD LAYOUT
(COMPONENT SIDE)



ALTERNATE PC BOARD LAYOUT
(COMPONENT SIDE)

JACK MATING FACE
(EDGE OF PC BOARD)

NOTE: * SURFACE MOUNT PADS.

CUSTOMER DRAWING

SCALE 4:1	Switchcraft [®]	
DATE DRAWN 10-12-17		
DRAWN BY SRC	TOOL No. RASH722BKZ	REV A