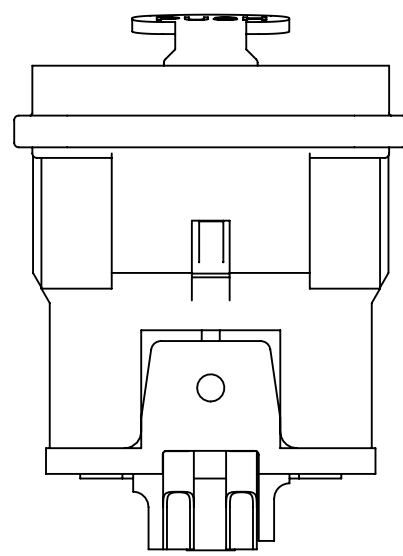


E4FSC SHOWN "STANDARD LOCKING" OPTION



PART NUMBER MATRIX

E	4	F	SC
---	---	---	----

E SERIES CONNECTOR
4 CONTACTS
FEMALE

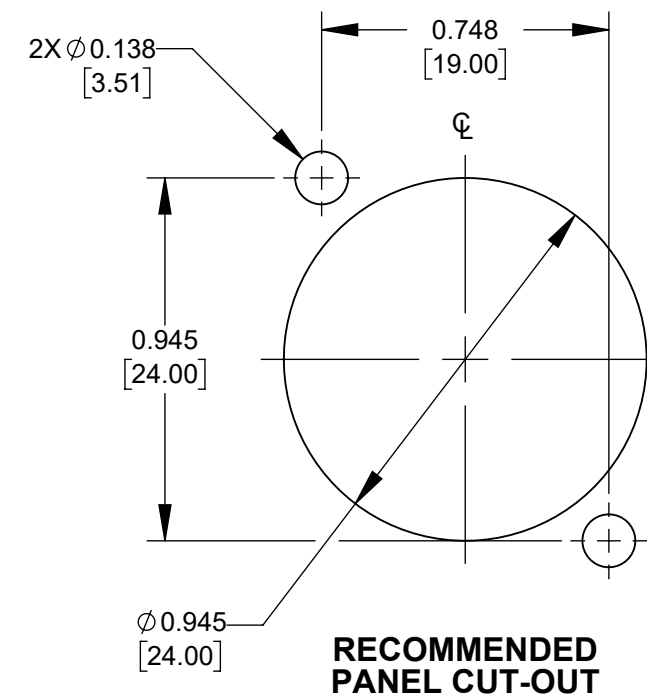
DISCONNECT OPTION:
BLANK - STANDARD LOCKING
D - FAS-DISCONNECT

MOUNTING HOLES:
BLANK - Ø 0.138 W/COUNTERSINK HOLE
M3 - M3 x 0.5 THREAD
440 - #4-40 THREAD

SOCKET CONTACT FINISH:
BLANK - SILVER
AU - GOLD

HOUSING FINISH:
BLANK - NICKEL
B - BLACK

SOLDER CUPS



RECOMMENDED PANEL CUT-OUT

- NOTES:
- MATERIALS:
HOUSING - ZINC ALLOY. SEE P/N MATRIX FOR FINISH.
INSULATOR - BLACK THERMOPLASTIC
GROUND TERMINAL - TIN PLATED COPPER ALLOY
SOCKET CONTACT - BRASS. SEE P/N MATRIX FOR FINISH.
 - THESE PRODUCTS ARE RoHS COMPLIANT.

REV	ECO NUMBER	DATE	BY	APVD
B	25931	08/20/08	PC	TJK
A	25171	11/04/05	PC	TJK

UNLESS OTHERWISE SPECIFIED

1. ALL DIMENSIONS IN INCHES
- TWO PLACE DECIMALS ±0.02
- THREE PLACE DECIMALS ±0.005

DO NOT SCALE DRAWING

THIS DRAWING DESCRIBES A DESIGN CONSIDERED PROPRIETARY IN NATURE, DEVELOPED AND MANUFACTURED BY SWITCHCRAFT INC. AND IS RELEASED ON A CONFIDENTIAL BASIS FOR IDENTIFICATION PURPOSES ONLY.				
SIZE	WIDTH	MULT	LBS/M	TEMPER
FINISH SPEC No.		SCALE		MATERIAL SPEC No.
FIRST USED ON		SCALE		
DATE DRAWN	BY	CHKD	APVD	
04/24/02	KJB	BL	TJK	
		05/29/13	01/31/25	
NAME			PART No.	
E SERIES CONNECTOR 4 POS. SOLDER CUP, SOCKET CONTACTS, RoHS			E4FSC_SERIES	
				REV B

CUSTOMER DRAWING

Switchcraft®

SHEET 1 OF 1