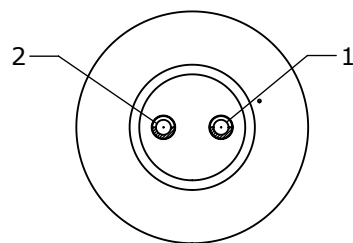


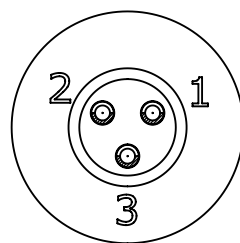
CUSTOMER PRINT

- NOTES:  
 1. ALL PARTS TO BE BULK PACKED.  
 2. CONTACTS ARE INSTALLED IN CONNECTOR.  
 3. FILL REAR END OF CONNECTOR WITH BLACK EPOXY

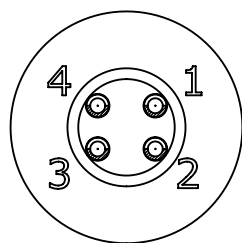
ASSY P/N	CONTACT QTY.	"X" DIM.	EPOXY
7282-2PG-3ES	2	.153 [3.9mm]	YES
7282-3PG-3ES	3	.112 [2.8mm]	
7282-4PG-3ES	4	.112 [2.8mm]	
7282-5PG-3ES	5	.155 [3.9mm]	
7282-6PG-3ES	6	.112 [2.8mm]	
7282-7PG-3ES	7	.155 [3.9mm]	
7282-8PG-3ES	8	.155 [3.9mm]	



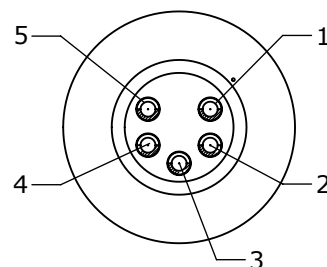
**WIRING END**  
 ASSY: 7282-2PG-3ES



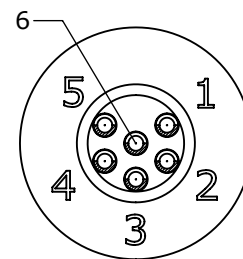
**WIRING END**  
 ASSY: 7282-3PG-3ES



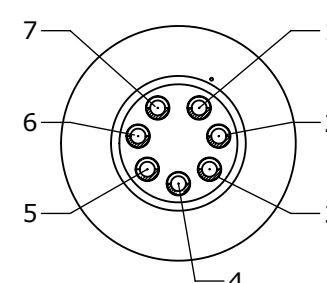
**WIRING END**  
 ASSY: 7282-4PG-3ES



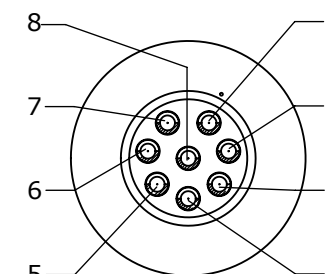
**WIRING END**  
 ASSY: 7282-5PG-3ES



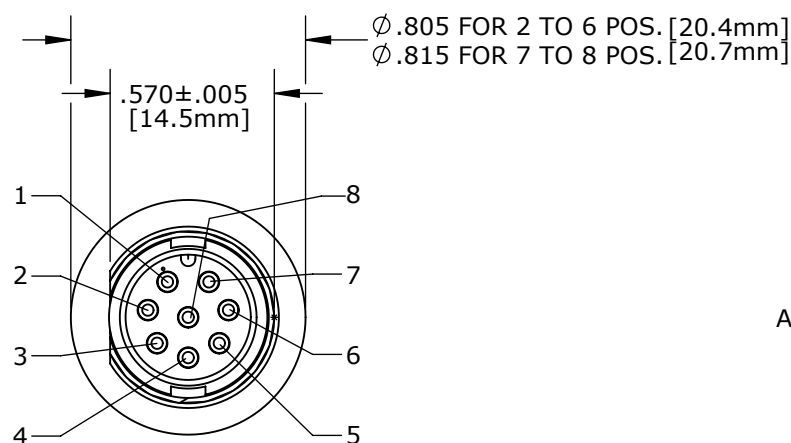
**WIRING END**  
 ASSY: 7282-6PG-3ES



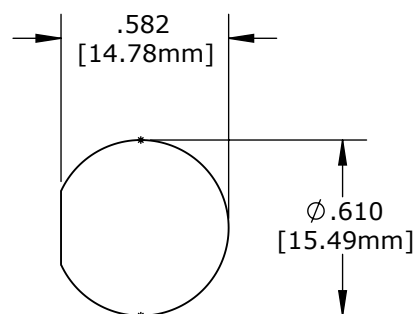
**WIRING END**  
 ASSY: 7282-7PG-3ES



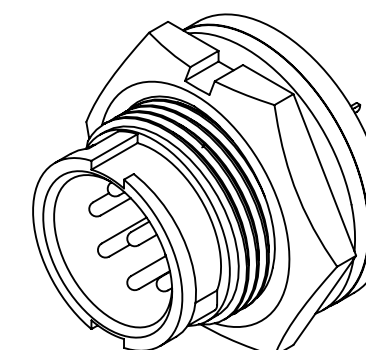
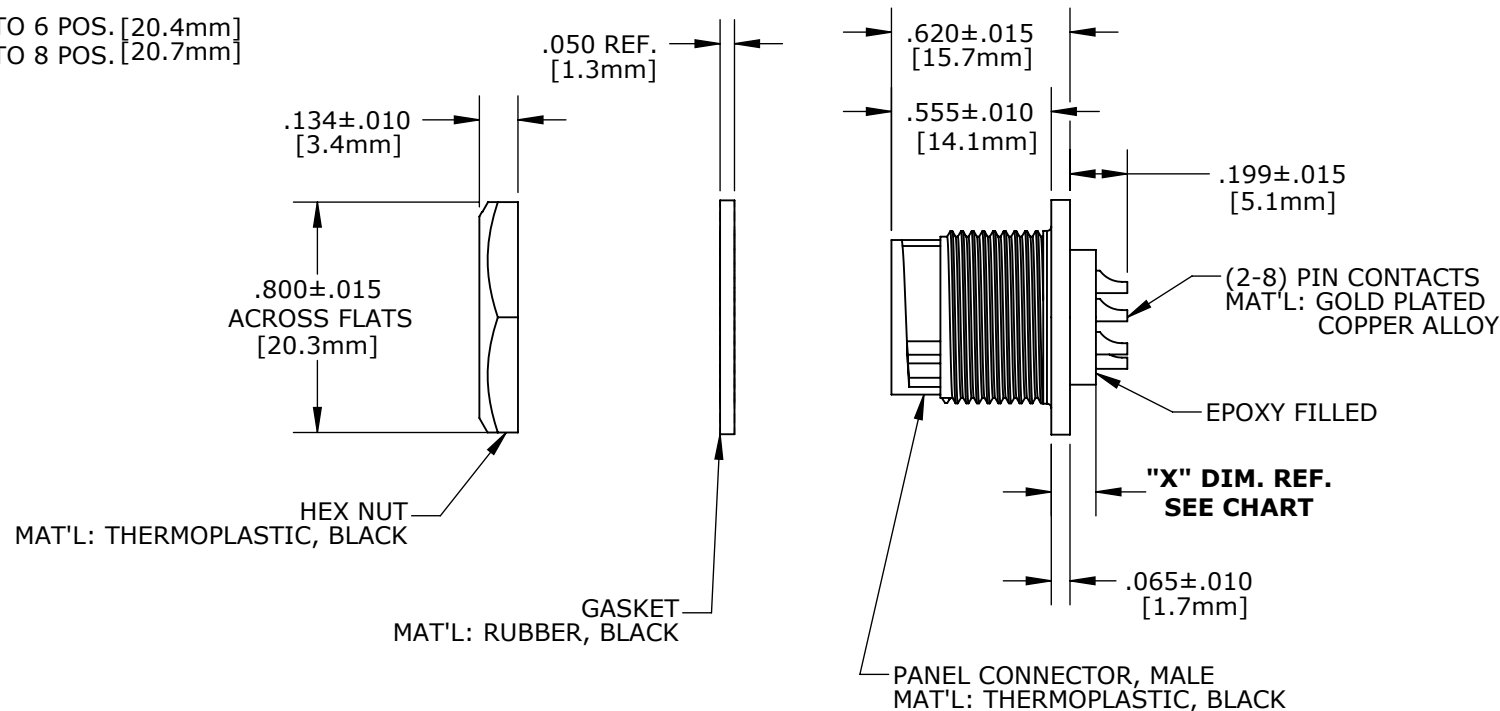
**WIRING END**  
 ASSY: 7282-8PG-3ES



**MATING FACE**  
 ASSY: 7282-8PG-3ES SHOWN



RECOMMENDED  
 PANEL CUT-OUT  
 TOLERANCE: ±.003



**ASSEMBLED VIEW**  
 FOR CUSTOMER REFERENCE ONLY  
 7282-8PG-3ES SHOWN

PART NUMBER: 7282-XPG-3ES

**CUSTOMER APPROVAL**

THIS DOCUMENT CONTAINS CONFIDENTIAL INFORMATION PROPRIETARY TO CONXALL CORPORATION. ANY REPRODUCTION, DISCLOSURE, OR USE OF THIS DOCUMENT / INFORMATION IS EXPRESSLY PROHIBITED UNLESS AUTHORIZED IN WRITING BY CONXALL CORPORATION.

APPROVED BY: \_\_\_\_\_  
 DATE: \_\_\_\_\_

C	PD	10-03-12	UPDATE MANUFACTURING DRAWING PER ECR 8312
B	AN	08-13-12	ADDED "X" DIM., CONTACT HEIGHT DIM. 0.199, MATERIALS, TOLERANCES, AND FLAT DIM. 0.570; ADDED CUT-OUT VIEW AND ASSEMBLED VIEW; SHOWN WIRING VIEWS INSTEAD OF MATING FACE VIEW; UPDATED DIM.'S. PER ECR 8181
A	BZ	05-08-09	DRAWING CREATED PER DOR 09-E149SL
REV.	INIT.	DATE	DESCRIPTION
	BZ	05-08-09	ORIG. DRAWN BY: DATE: 05-08-09
ALL INFORMATION ILLUSTRATED IS THE PROPERTY OF CONXALL CORPORATION. UNAUTHORIZED DUPLICATION OR DISTRIBUTION OF THIS DOCUMENT IS PROHIBITED.			<p>601 E. WILDWOOD VILLA PARK, IL 60181</p>
ALL UNITS ARE IN FEET, INCHES, FRACTION OF INCHES AND DECIMALS.			
APPROVED BY:		TITLE: PANEL MOUNT ASSEMBLY (2-8) PIN CONTACTS MINI-CON-X WITH EPOXY STANDARD PRODUCT	
SCALE	SIZE	SHEET	CUSTOMER:
	B	1 OF 1	7282-XPG-3ES
FILE:	DIRECTORY:	PART NUMBER:	REV
7282-XPG-3ES	SLW	7282-XPG-3ES	C

DIMENSIONS IN BRACKET [ ] ARE METRIC.

**RoHS COMPLIANT**