

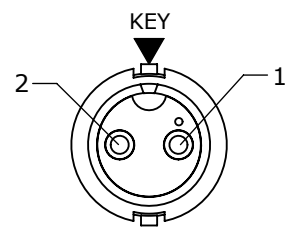
CUSTOMER PRINT

PART NUMBER: 6380-XPG-3XX

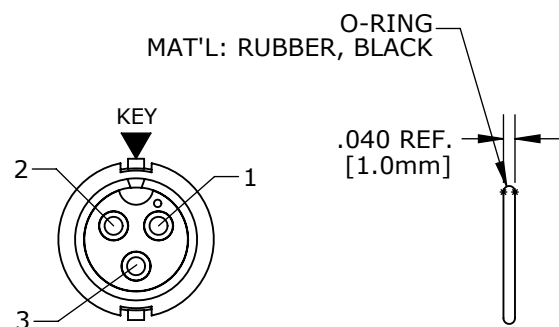
NOTES:
1. ALL PARTS TO BE BULK PACKED.

| KIT P/N | GROMMET SIZE |
|--------------|--------------------------------|
| 6380-XPG-3DC | DAISY CHAIN |
| 6380-XPG-311 | CABLE O.D. .09-.14 [2.3-3.5mm] |
| 6380-XPG-315 | CABLE O.D. .15-.17 [3.8-4.3mm] |
| 6380-XPG-318 | CABLE O.D. .18-.20 [4.6-5.1mm] |
| 6380-XPG-321 | CABLE O.D. .21-.23 [5.3-5.8mm] |

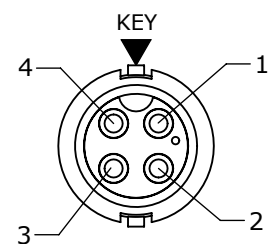
| KIT P/N | NO. OF CONTACTS |
|--------------|-----------------|
| 6380-2PG-3XX | 2 #16 |
| 6380-3PG-3XX | 3 #16 |
| 6380-4PG-3XX | 4 #16 |
| 6380-XPG-3XX | |



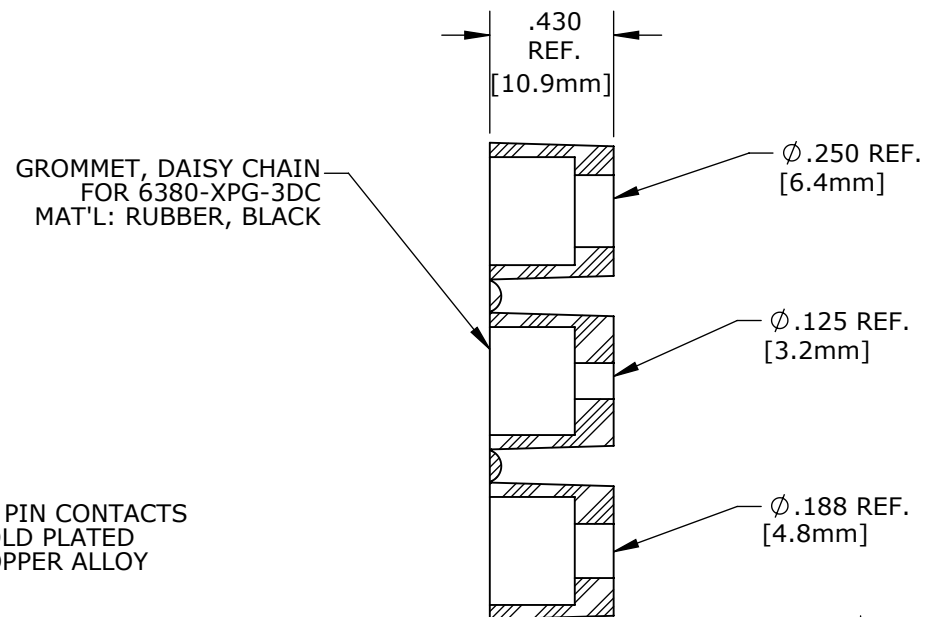
FACE VIEW
6380-2PG-3XX



FACE VIEW
6380-3PG-3XX

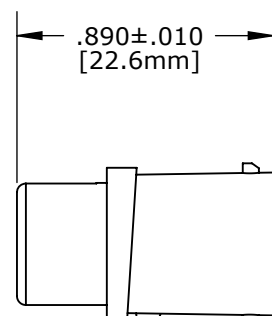


FACE VIEW
6380-4PG-3XX

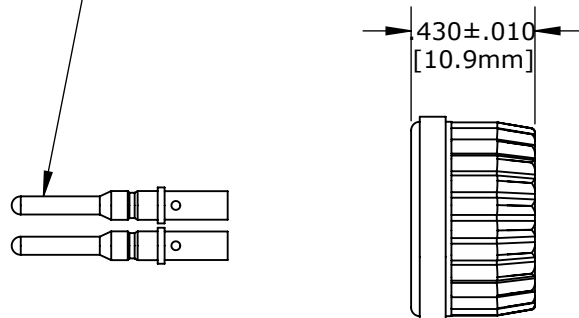


GROMMET, DAISY CHAIN
FOR 6380-XPG-3DC
MAT'L: RUBBER, BLACK

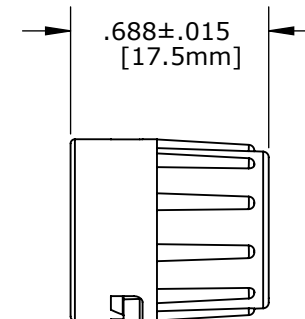
(2-4) #16 PIN CONTACTS
MAT'L: GOLD PLATED
COPPER ALLOY



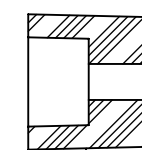
CABLE CONNECTOR, MALE
MAT'L: THERMOPLASTIC, BLACK



COUPLING RING
MAT'L: THERMOPLASTIC, BLACK

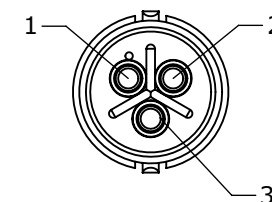


BACKSHELL
MAT'L: THERMOPLASTIC, BLACK



SINGLE GROMMET
MAT'L: SANTOPRENE, BLACK

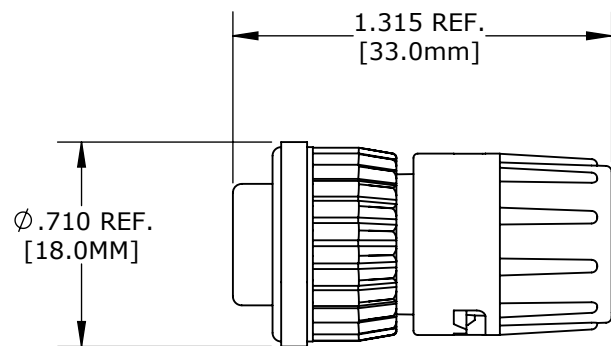
6380-XPG-311 .125 I.D. FOR CABLES .09-.14 [2.3-3.5mm] O.D.
6380-XPG-315 .160 I.D. FOR CABLES .15-.17 [3.8-4.3mm] O.D.
6380-XPG-318 .190 I.D. FOR CABLES .18-.20 [4.6-5.1mm] O.D.
6380-XPG-321 .225 I.D. FOR CABLES .21-.23 [5.3-5.8mm] O.D.



WIRE VIEW
6380-3PG-3XX SHOWN

GROMMET SIZE
FOR SINGLE
GROMMET OR
"DC" FOR
DAISY CHAIN

NO. OF CONTACTS



ASSEMBLED VIEW
FOR CUSTOMER REF.

DIMENSIONS IN BRACKETS [] ARE METRIC

CUSTOMER APPROVAL

THIS DOCUMENT CONTAINS CONFIDENTIAL INFORMATION PROPRIETARY TO CONXALL CORPORATION. ANY REPRODUCTION, DISCLOSURE, OR USE OF THIS DOCUMENT /INFORMATION IS EXPRESSLY PROHIBITED UNLESS AUTHORIZED IN WRITING BY CONXALL CORPORATION.

APPROVED BY: _____
DATE: _____

RoHS COMPLIANT

| | | | | |
|--------------------|-------|----------|--|--|
| A | AN | 06-27-12 | DRAWING CREATED PER DOR 12-E149SL #17 | |
| REV. | INIT. | DATE | DESCRIPTION | |
| | AN | 06-26-12 | ALL INFORMATION ILLUSTRATED IS THE PROPERTY OF "CONXALL CORPORATION". UNAUTHORIZED DUPLICATION OR DISTRIBUTION OF THIS DOCUMENT IS PROHIBITED. | |
| APPROVED BY: | | | TITLE: CABLE CONNECTOR KIT (2-4) #16 PIN CONTACTS MINI-CON-X STANDARD PRODUCT | |
| SCALE: NTS | | | CUSTOMER: STANDARD PRODUCT | |
| SIZE: B | | | PART NUMBER: 6380-XPG-3XX | |
| SHEET: 1 OF 1 | | | REV: A | |
| FILE: 6380-XPG-3XX | | | DIRECTORY: SLW | |