

PART NUMBER: 6295P-W

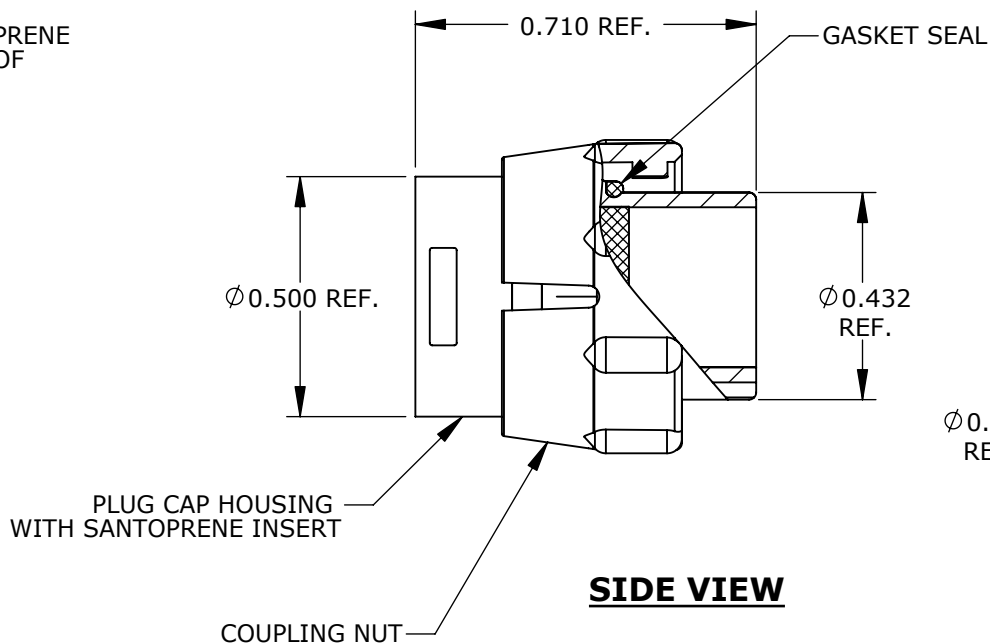
CUSTOMER PRINT

NOTES:

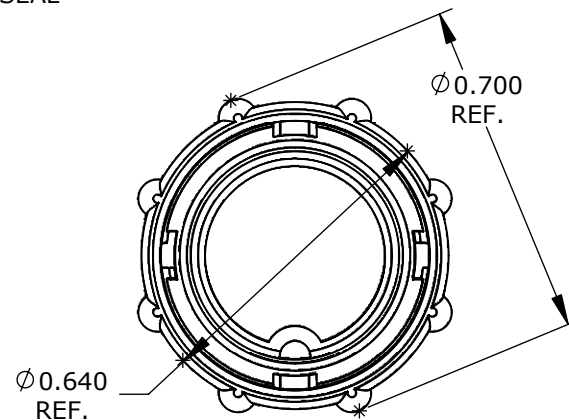
1. FINISHED PRODUCT TO BE BULK PACKED
2. ASSEMBLE COUPLING RING ONTO PLUG CAP HOUSING



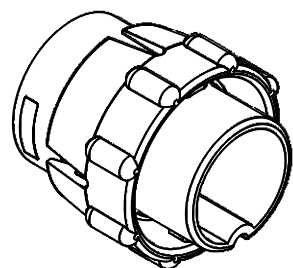
**BACK VIEW**



**SIDE VIEW**



**FRONT VIEW**




**ISOMETRIC VIEW**

CUSTOMER APPROVAL

CHECKED BY: \_\_\_\_\_  
 APPROVED BY: \_\_\_\_\_  
 DATE: \_\_\_\_\_

**RoHS COMPLIANT**

A	GMC	09-14-07	INITIAL RELEASE PER DOR 07-E149JC	
REV.	INIT.	DATE	DESCRIPTION	
<small>ALL INFORMATION ILLUSTRATED IS THE PROPERTY OF CONXALL CORPORATION. UNAUTHORIZED DUPLICATION OR DISTRIBUTION OF THIS DOCUMENT IS PROHIBITED.</small>			<small>ORIG. DRAWN BY:</small> GMC	<small>DATE:</small> 09-14-07
<small>UNLESS OTHERWISE SPECIFIED TOLERANCES:          3 PLACE DECIMALS ±.005          ANGLES ±1°          FRACTIONS ±1/16</small>				
<small>≡ CRITICAL CHARACTERISTIC FLAG PER SPEC. XXXX</small>			<small>CHECKED BY:</small> <small>APPROVED BY:</small>	<small>TITLE:</small> IP67-WEATHER TIGHT MINI-CON-X PROTECTIVE PLUG CAP ASSEMBLY
<small>SCALE</small>	<small>SIZE</small>	<small>SHEET</small>	<small>CUSTOMER:</small> CXA	
NTS	A	1 OF 1	<small>FILE:</small> 6295P-W	<small>PART NUMBER:</small> 6295P-W
		<small>DIRECTORY:</small> SLW		
			<small>REV</small>	<small>A</small>

601 E. WILDWOOD VILLA PARK, IL 60181