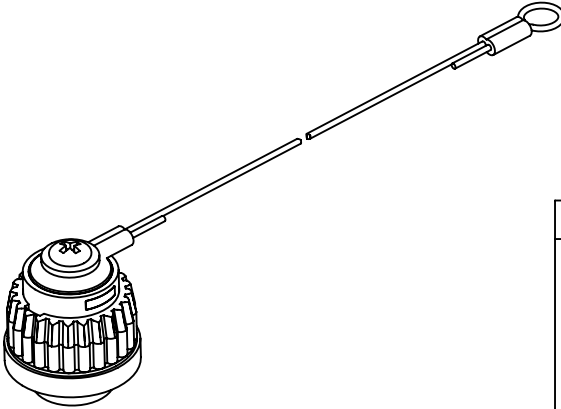
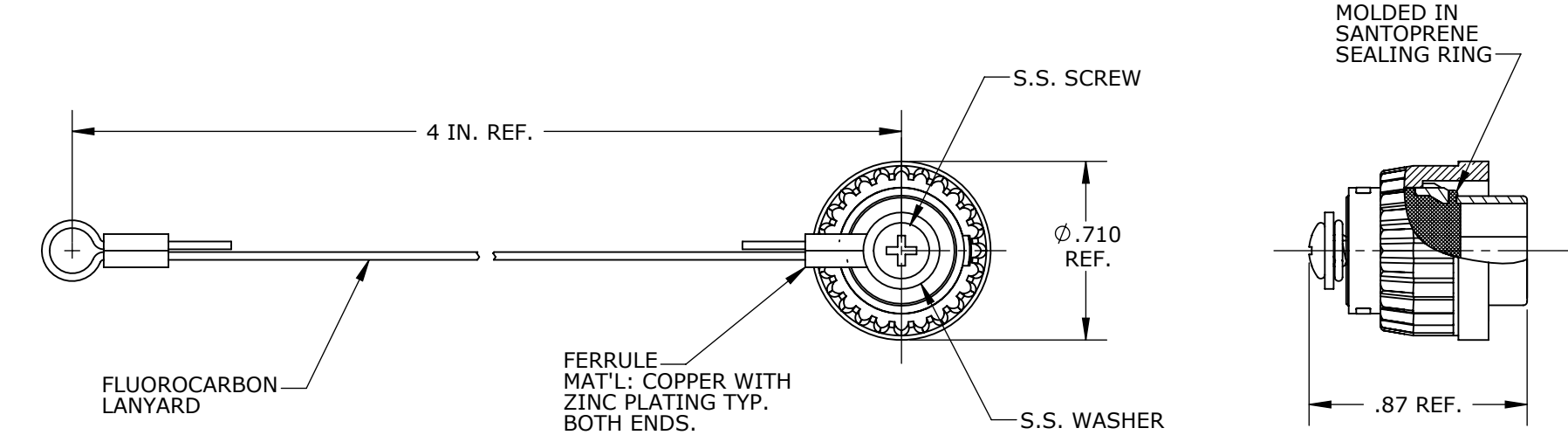


NOTES:
 1.) IP67 RATING WITH IP68 PENDING.



CUSTOMER APPROVAL

THIS DOCUMENT CONTAINS CONFIDENTIAL INFORMATION PROPRIETARY TO CONXALL CORPORATION. ANY REPRODUCTION, DISCLOSURE, OR USE OF THIS DOCUMENT /INFORMATION IS EXPRESSLY PROHIBITED UNLESS AUTHORIZED IN WRITING BY CONXALL CORPORATION.

APPROVED BY: _____
 DATE: _____

RoHS COMPLIANT

C	AN	04-15-11	UPDATED MANUFACTURING DRAWING PER ECR 7830
B	GMC	06-04-08	UPDATED MANUFACTURING DRAWING PER ECR 6893
		06-04-08	UPDATED MANUFACTURING DRAWING PER ECR 6888
A	AN	04-24-08	MODIFIED MANUFACTURING DRAWING
	BCP	04-04-08	CHANGED # 4 - 1/4" LONG SCREW TO # 6 - 1/2 LONG.
	BCP	02-12-08	DRAWING CREATED PER DOR 07-2242KL
REV.	INIT.	DATE	DESCRIPTION
<small>ALL INFORMATION ILLUSTRATED IS THE PROPERTY OF CONXALL CORPORATION. UNAUTHORIZED DUPLICATION OR DISTRIBUTION OF THIS DOCUMENT IS PROHIBITED.</small>			ORIG. DRAWN BY: BCP DATE: 02-12-08 CHECKED BY: _____
<small>ALL UNITS ARE IN FEET, INCHES, FRACTION OF INCHES AND DECIMALS.</small>			APPROVED BY: _____ TITLE: PROTECTIVE CAP AND LANYARD ASSEMBLY MINI-CON-X CUSTOMER: STANDARD PRODUCT
SCALE: NTS SIZE: A SHEET: 1 OF 1		FILE: 6295N-WL DIRECTORY: SLW	PART NUMBER: 6295N-WL
<small>▷ = CRITICAL CHARACTERISTIC FLAG PER SPEC. XXXX</small>			REV C



601 E. WILDWOOD VILLA PARK, IL 60181