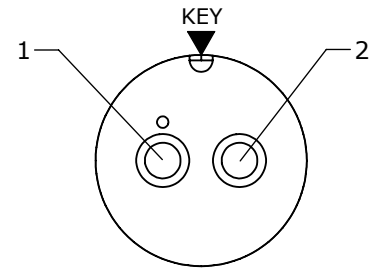


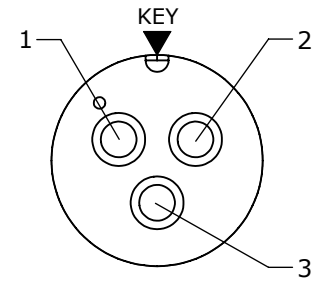
| PART NO.     | NO. OF CONTACTS |
|--------------|-----------------|
| 4182-2PG-300 | 2               |
| 4182-3PG-300 | 3               |
| 4182-4PG-300 | 4               |

**NOTES:**

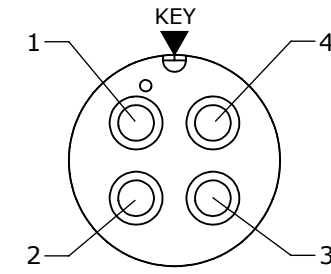
1. PARTS TO BE BULK PACKED.
2. CONTACTS TO BE INSERTED INTO CONNECTOR AS SHOWN.



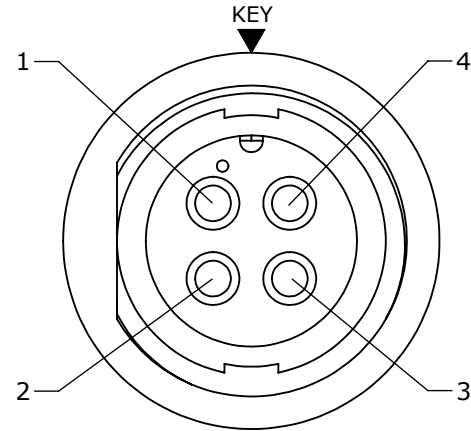
**FACE VIEW**  
4182-2PG-300



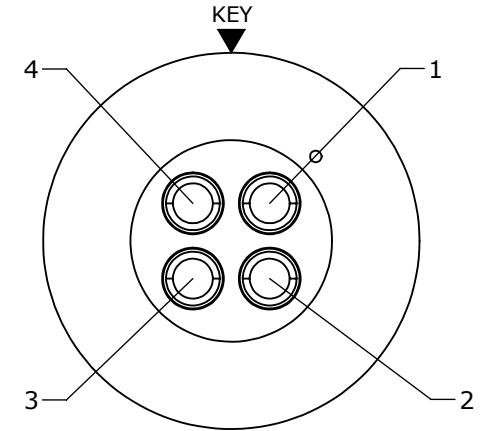
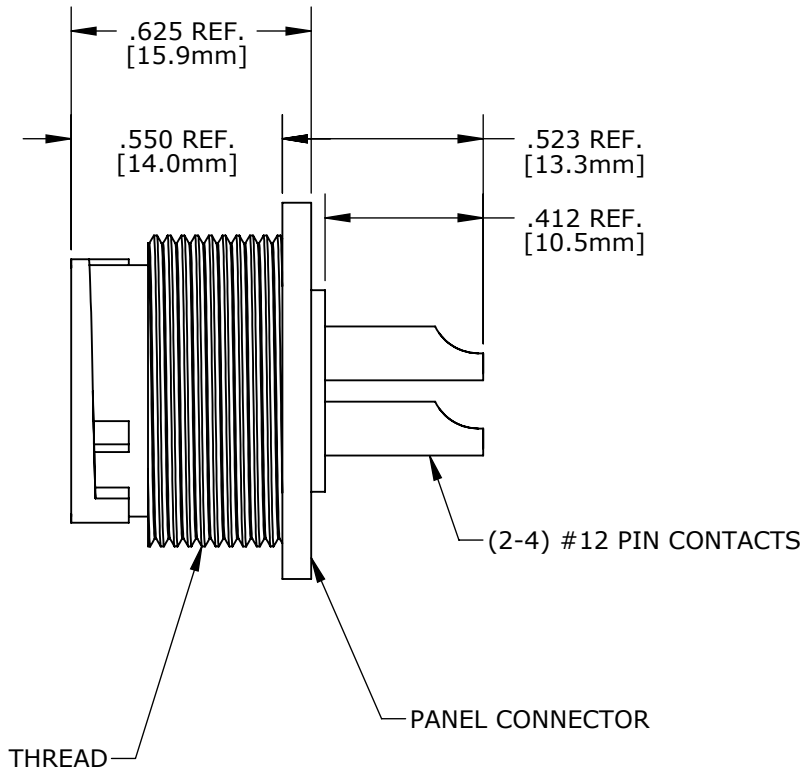
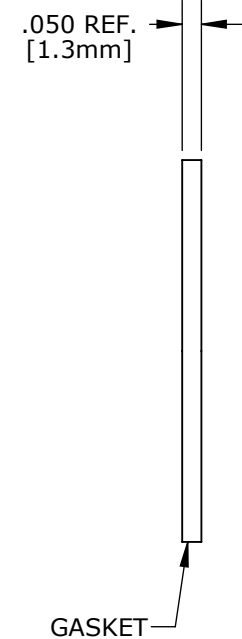
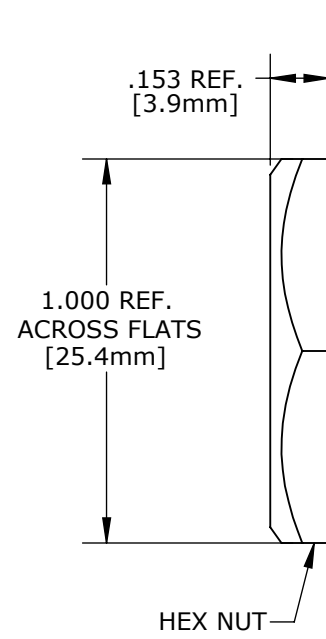
**FACE VIEW**  
4182-3PG-300



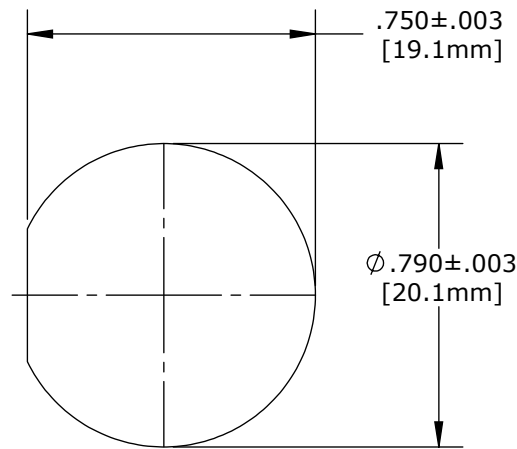
**FACE VIEW**  
4182-4PG-300



**FACE VIEW**  
4182-4PG-300 SHOWN



**WIRE VIEW**  
4182-4PG-300 SHOWN




**RECOMMENDED  
PANEL CUT OUT**

DIMENSIONS IN BRACKETS [ ] ARE METRIC

| CUSTOMER APPROVAL   |  |
|---|--|
| THIS DOCUMENT CONTAINS CONFIDENTIAL INFORMATION PROPRIETARY TO CONXALL CORPORATION. ANY REPRODUCTION, DISCLOSURE, OR USE OF THIS DOCUMENT /INFORMATION IS EXPRESSLY PROHIBITED UNLESS AUTHORIZED IN WRITING BY CONXALL CORPORATION. |  |
| APPROVED BY: _____  |  |
| DATE: _____   |  |

**RoHS COMPLIANT**

| REV.  | INIT. | DATE     | DESCRIPTION  |
|---|-------|----------|--|
| A   | BZ    | 01-26-10 | DRAWING CREATED PER DOR 10-E149SL  |
| <small>ALL INFORMATION ILLUSTRATED IS THE PROPERTY OF "CONXALL CORPORATION". UNAUTHORIZED DUPLICATION OR DISTRIBUTION OF THIS DOCUMENT IS PROHIBITED.</small> |       |          | <small>ORIG. DRAWN BY: BZ</small><br><small>DATE: 01-26-10</small>   |
| <small>ALL UNITS ARE IN FEET, INCHES, FRACTION OF INCHES AND DECIMALS.</small>  |       |          | <br><small>601 E. WILDWOOD VILLA PARK, IL 60181</small> |
| <small>SCALE: NTS</small><br><small>SIZE: B</small><br><small>SHEET: 1 OF 1</small>   |       |          | <small>TITLE: PANEL MOUNT ASSEMBLY (2-4) #12 PIN CONTACTS MULTI-CON-X</small><br><small>CUSTOMER: STANDARD PRODUCT</small>                   |
| <small>FILE: 4182-XPG-300</small><br><small>DIRECTORY: SLW</small>  |       |          | <small>PART NUMBER: 4182-XPG-300</small><br><small>REV: A</small>  |

CUSTOMER PRINT

PART NUMBER: 4182-XPG-300