

CUSTOMER PRINT

PART NUMBER: 3380-XSG-3XX

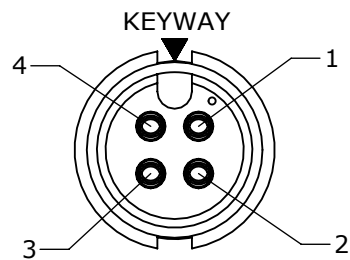
NOTES:
1. ALL PARTS TO BE BULK PACKED

ASSY P/N	GROMMET FOR CABLE O.D.
3380-XSG-3DC	DAISY CHAIN
3380-XSG-315	0.15-0.17 [3.8-4.3mm]
3380-XSG-318	0.18-0.20 [4.6-5.1mm]
3380-XSG-321	0.21-0.23 [5.3-5.8mm]
3380-XSG-324	0.24-0.27 [6.1-6.8mm]
3380-XSG-328	0.28-0.29 [7.1-7.4mm]
3380-XSG-330	0.30-0.32 [7.6-8.1mm]

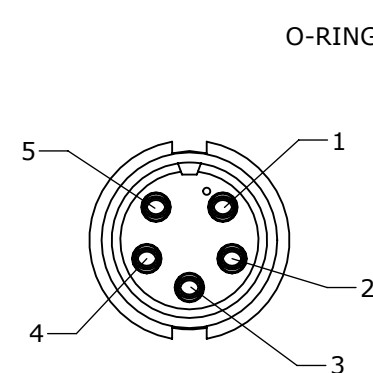
KIT P/N	NO. OF CONTACTS
3380-4SG-3XX	(4)-#16
3380-5SG-3XX	(5)-#16
3380-6SG-3XX	(6)-#16

GROMMET SIZE FOR SINGLE GROMMET OR "DC" FOR DAISY CHAIN

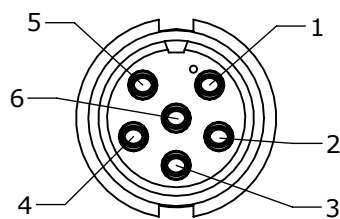
NO. OF CONTACT



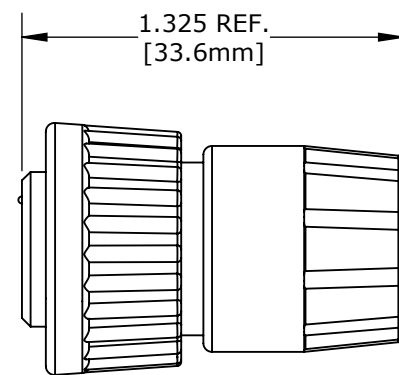
FACE VIEW
3380-4SG-3XX



FACE VIEW
3380-5SG-3XX



FACE VIEW
3380-6SG-3XX

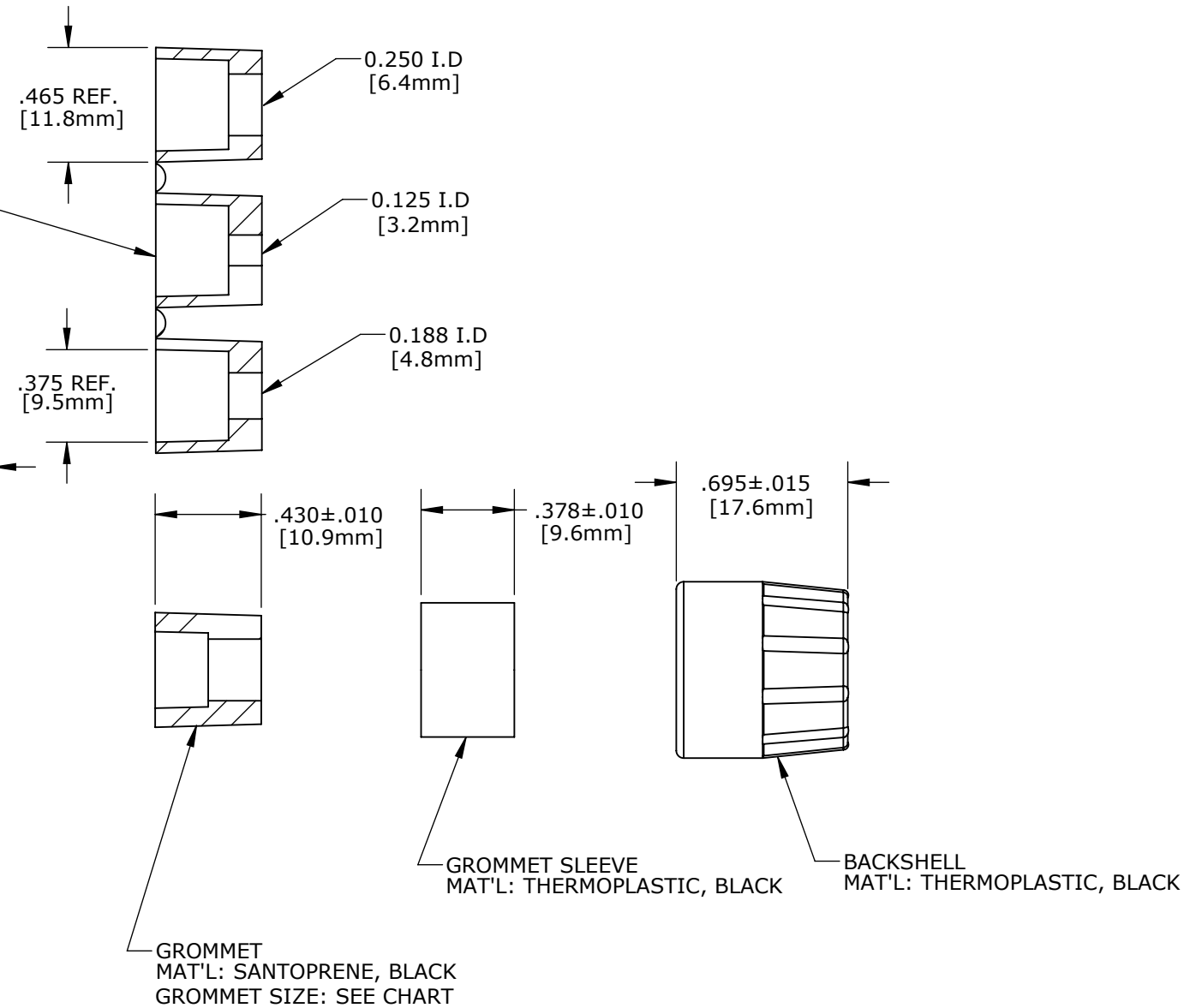


SHOWN ASSEMBLED KIT
FOR CUSTOMER REFERENCE ONLY

COUPLING RING
MAT'L: THERMOPLASTIC, BLACK

GROMMET, DAISY CHAIN
FOR 3380-XSG-3DC
MAT'L: RUBBER, BLACK

(4-6) #16 SOCKET CONTACTS
MAT'L: GOLD PLATED,
COPPER ALLOY



CUSTOMER APPROVAL

THIS DOCUMENT CONTAINS CONFIDENTIAL INFORMATION PROPRIETARY TO CONXALL CORPORATION. ANY REPRODUCTION, DISCLOSURE, OR USE OF THIS DOCUMENT /INFORMATION IS EXPRESSLY PROHIBITED UNLESS AUTHORIZED IN WRITING BY CONXALL CORPORATION.

APPROVED BY: _____

DATE: _____

RoHS COMPLIANT

DIMENSIONS IN BRACKET [] ARE METRIC.

A	AN	12-04-12	DRAWING CREATED PER DOR 12-E149SL #44
REV.	INIT.	DATE	DESCRIPTION
	AN	11-30-12	ALL INFORMATION ILLUSTRATED IS THE PROPERTY OF CONXALL CORPORATION. UNAUTHORIZED DUPLICATION OR DISTRIBUTION OF THIS DOCUMENT IS PROHIBITED.
APPROVED BY:			<p>601 E. WILDWOOD VILLA PARK, IL 60181</p>
DATE:			
SCALE		SIZE	SHEET
NTS		B	1 OF 1
FILE:	DIRECTORY:	PART NUMBER:	REV
3380-XSG-3XX	SLW	3380-XSG-3XX	A

TITLE: CABLE ASSEMBLY
(4-6) #16 SOCKET CONTACTS
MULTI-CON-X
STANDARD PRODUCT