

CUSTOMER PRINT

PART NUMBER: 3182-XSG-3XXW

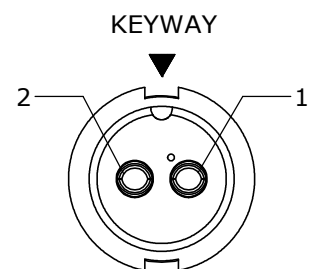
- NOTES:**
1. PARTS TO BE BULK PACKED.
  2. CUSTOMER PART NUMBER: N/A
  3. CONTACTS TO BE INSERTED INTO CABLE CONNECTOR.
  4. ALL DIMENSION ARE REFERENCE ONLY.

ASSY P/N	GROMMET SIZE
3182-XSG-3DCW	DAISY CHAIN
3182-XSG-315W	CABLE O.D. .15-.17
3182-XSG-318W	CABLE O.D. .18-.20
3182-XSG-321W	CABLE O.D. .21-.23
3182-XSG-324W	CABLE O.D. .24-.27
3182-XSG-328W	CABLE O.D. .28-.29
3182-XSG-330W	CABLE O.D. .30-.32

KIT P/N	NO. OF CONTACTS
3182-2SG-3XXW	2
3182-3SG-3XXW	3
3182-4SG-3XXW	4
3182-XSG-3XXW	

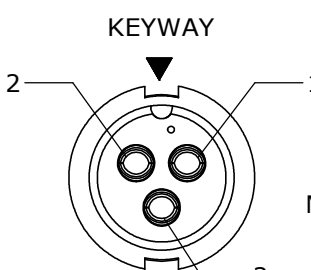
GROMMET SIZE FOR SINGLE GROMMET, OR "DC" FOR DAISY CHAIN SEE GROMMET LIST

NO. OF CONTACTS



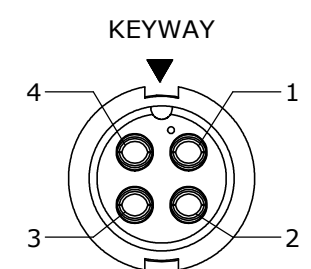
**FACE VIEW**

ASSY: 3182-2SG-3XXW



**FACE VIEW**

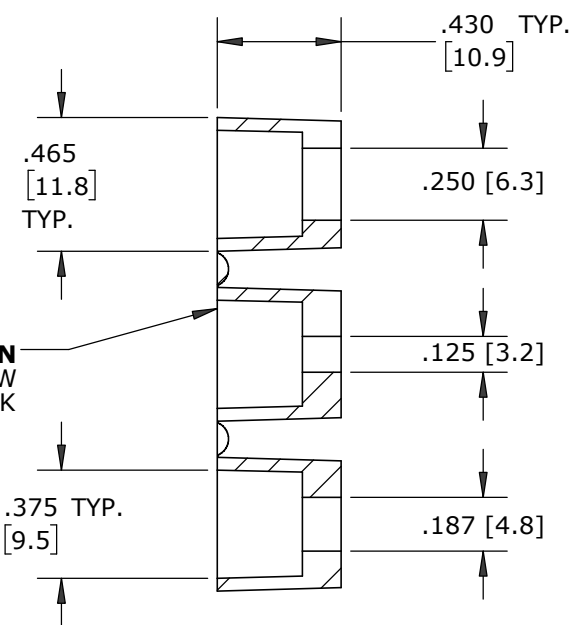
ASSY: 3182-3SG-3XXW



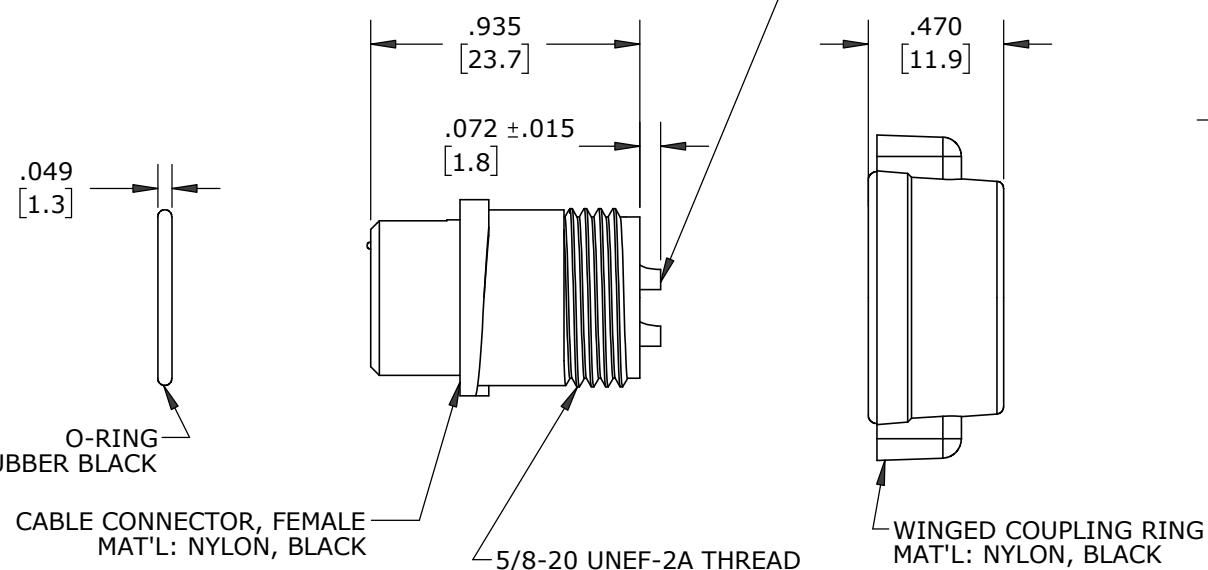
**FACE VIEW**

ASSY: 3182-4SG-3XXW

**GROMMET DAISY CHAIN**  
FOR 3182-XSG-3DCW  
MAT'L: RUBBER BLACK

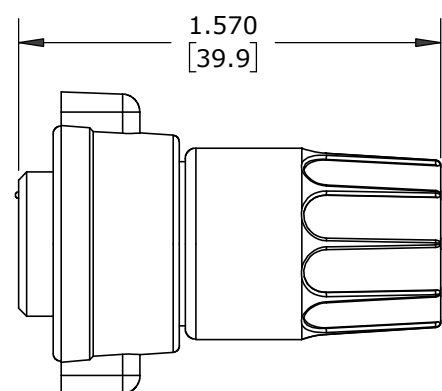


(2-4) SOCKET CONTACTS  
SOLDER CUPS  
MAT'L: GOLD PLATED  
COPPER ALLOY



**SINGLE GROMMET**

MAT'L: SANTOPRENE, BLACK  
 3182-XSG-315W: .160 I.D. FOR CABLES .15-.17 [3.8-4.3mm] O.D.  
 3182-XSG-318W: .190 I.D. FOR CABLES .18-.20 [4.5-5.1mm] O.D.  
 3182-XSG-321W: .225 I.D. FOR CABLES .21-.23 [5.3-5.8mm] O.D.  
 3182-XSG-324W: .250 I.D. FOR CABLES .24-.27 [6.1-6.8mm] O.D.  
 3182-XSG-328W: .285 I.D. FOR CABLES .28-.29 [7.1-7.4mm] O.D.  
 3182-XSG-330W: .312 I.D. FOR CABLES .30-.32 [7.6-8.1mm] O.D.



**SHOWN ASSEMBLED KIT**  
FOR CUSTOMER REFERENCE ONLY

DIMENSIONS IN BRACKETS [ ] ARE METRIC

**CUSTOMER APPROVAL**

THIS DOCUMENT CONTAINS CONFIDENTIAL INFORMATION PROPRIETARY TO CONXALL CORPORATION. ANY REPRODUCTION, DISCLOSURE, OR USE OF THIS DOCUMENT /INFORMATION IS EXPRESSLY PROHIBITED UNLESS AUTHORIZED IN WRITING BY CONXALL CORPORATION.

APPROVED BY: \_\_\_\_\_  
DATE: \_\_\_\_\_

**RoHS COMPLIANT**

A	SS	10-23-20	DRAWING CREATED PER DOR 15-E253SL #35	
REV.	INIT.	DATE	DESCRIPTION	
	SS	10-23-20	ORIG. DRAWN BY: _____ DATE: 10-23-20 CHECKED BY: _____ APPROVED BY: _____ SCALE: NTS SIZE: B SHEET: 1 OF 1 FILE: 3182-XSG-3XXW DIRECTORY: SLW	
ALL INFORMATION ILLUSTRATED IS THE PROPERTY OF "CONXALL CORPORATION". UNAUTHORIZED DUPLICATION OR DISTRIBUTION OF THIS DOCUMENT IS PROHIBITED.  ALL UNITS ARE IN FEET, INCHES, FRACTION OF INCHES AND DECIMALS.			601 E. WILDWOOD VILLA PARK, IL 60181 TITLE: CONNECTOR ASSEMBLY KIT (2-4) #12 SOCKET CONTACTS MULTI-CON-X CUSTOMER: STANDARD PRODUCT	
- CRITICAL CHARACTERISTIC FLAG PER SPEC. XXXX			PART NUMBER: 3182-XSG-3XXW	REV A