

CUSTOMER PRINT

PART NUMBER: 3182-XSG-3XX(CCX)

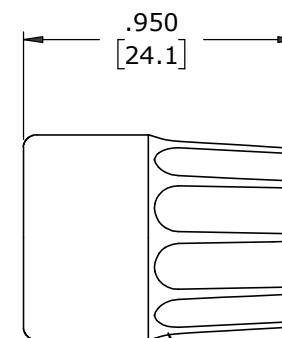
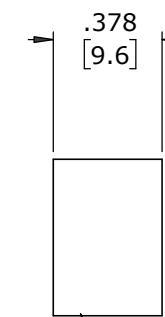
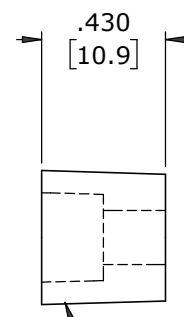
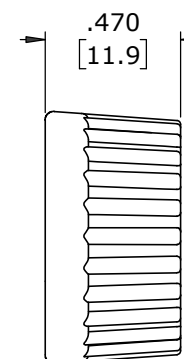
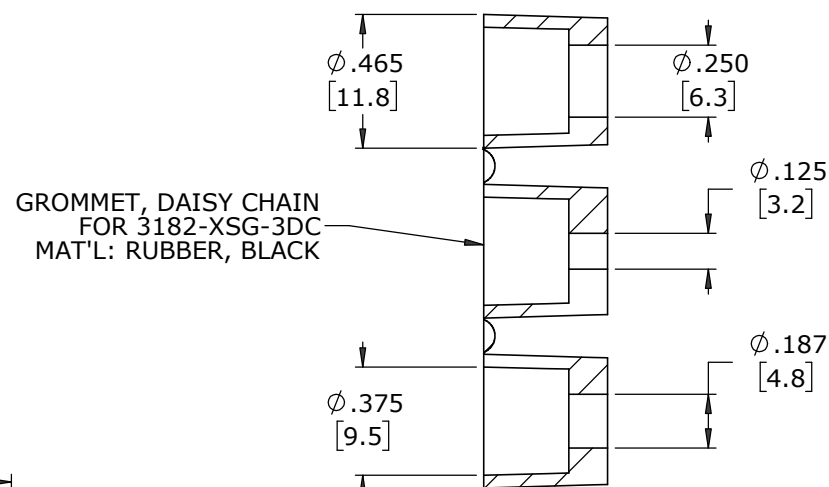
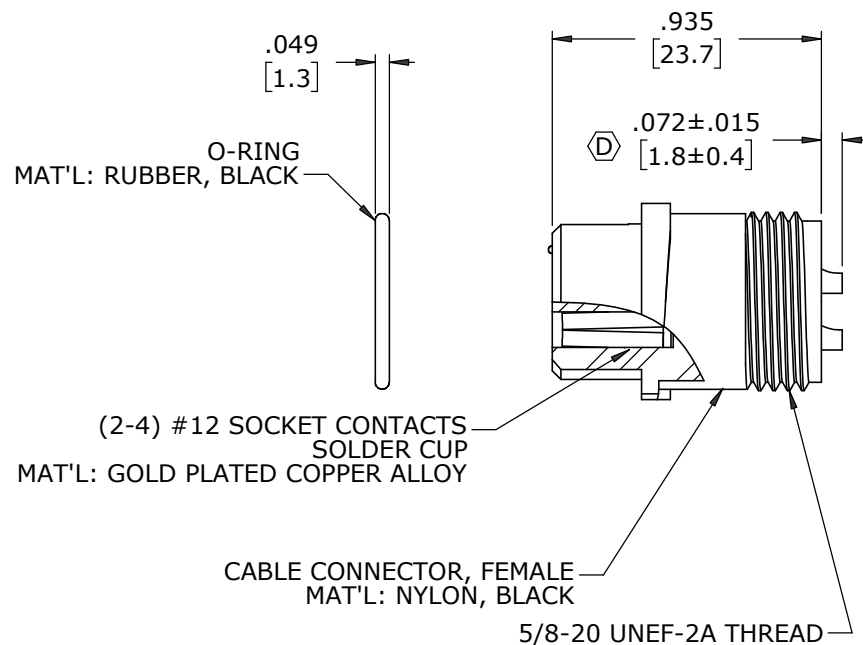
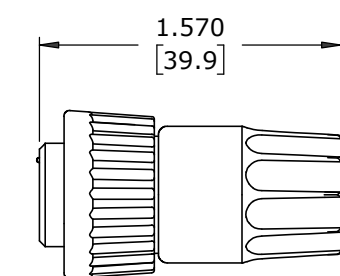
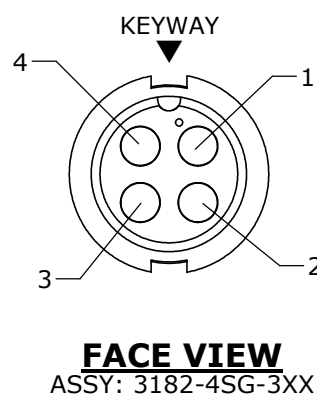
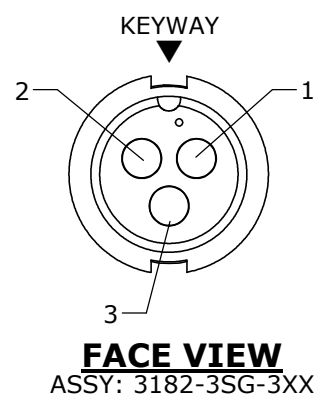
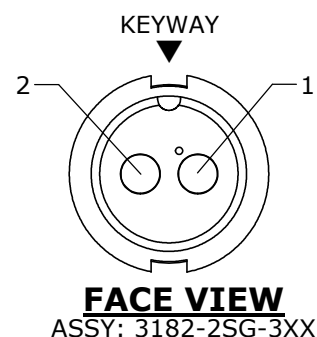
- NOTES:  
 1. PARTS TO BE BULK PACKED.  
 2. CONTACTS TO BE INSERTED INTO CABLE CONNECTOR  
 3. ALL DIMENSION ARE REFERENCE EXCEPT THOSE WITH A TOLERANCE

ASSY P/N	GROMMET SIZE
3182-XSG-3DC	DAISY CHAIN
3182-XSG-315	.156 I.D. FOR CABLES .15-.17 [3.8-4.3mm] O.D.
3182-XSG-318	.187 I.D. FOR CABLES .18-.20 [4.6-5.1mm] O.D.
3182-XSG-321	.225 I.D. FOR CABLES .21-.23 [5.3-5.8mm] O.D.
3182-XSG-324	.250 I.D. FOR CABLES .24-.27 [6.1-6.8mm] O.D.
3182-XSG-328	.285 I.D. FOR CABLES .28-.29 [7.1-7.4mm] O.D.
3182-XSG-330	.312 I.D. FOR CABLES .30-.32 [7.6-8.1mm] O.D.
3182-XSG-335	.375 I.D. FOR CABLES .35-.40 [8.9-10.2mm] O.D.

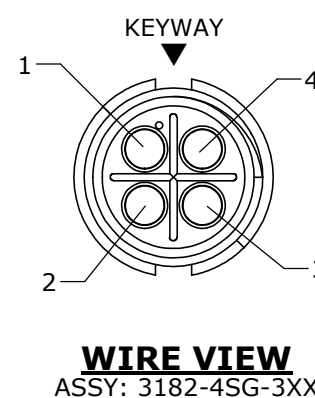
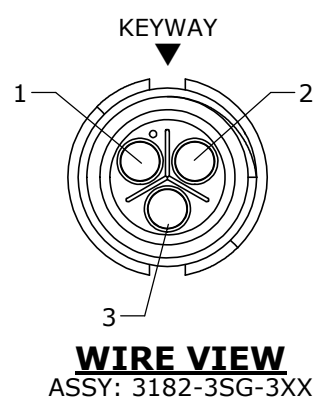
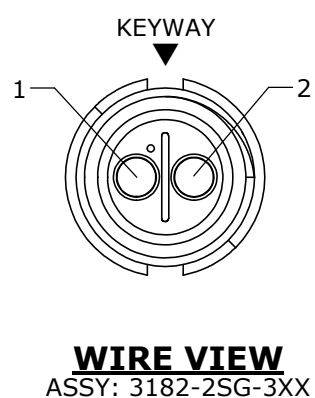
KIT P/N	NO. OF CONTACTS
3182-2SG-3XX	2
3182-3SG-3XX	3
3182-4SG-3XX	4
3182-XSG-3XX	

GROMMET SIZE FOR SINGLE GROMMET, OR "DC" FOR DAISY CHAIN SEE GROMMET LIST

NO. OF CONTACTS



ASS'Y P/N	COUPLING RING COLOR
3182-XSG-3XXCC1	WHITE
3182-XSG-3XXCC2	RED
3182-XSG-3XXCC3	BLUE
3182-XSG-3XXCC4	LIGHT GRAY
3182-XSG-3XXCC5	YELLOW
3182-XSG-3XXCC6	MAROON
3182-XSG-3XXCC7	GREEN



DIMENSIONS IN BRACKETS [ ] ARE IN MILLIMETERS

**CUSTOMER APPROVAL**

THIS DOCUMENT CONTAINS CONFIDENTIAL INFORMATION PROPRIETARY TO CONXALL CORPORATION. ANY REPRODUCTION, DISCLOSURE, OR USE OF THIS DOCUMENT /INFORMATION IS EXPRESSLY PROHIBITED UNLESS AUTHORIZED IN WRITING BY CONXALL CORPORATION.

APPROVED BY: \_\_\_\_\_  
 DATE: \_\_\_\_\_

**RoHS COMPLIANT**

REV.	INIT.	DATE	DESCRIPTION
D	MA	05-28-21	SUPERSEDES DRAWING 3182-XSG-3XX. ADDED 3182-XSG-335 AND SPECIFIC COMPONENTS TO CHART. ADDED COUPLING COLOR CHART PER DOR 15-E253SL-43
	MA	06-07-19	CONTACT HEIGHT WAS .084 ±.015. REMOVED TOLERANCES FROM ALL PIECE PARTS, REVISED NOTES PER ECR 9218-1
C	PD	02-04-13	ADDED DAISY CHAIN GROMMET PER DOR 13-E149SL #4
B	AN	01-10-11	ADDED CONTACT LOCATION DIM., ADDED TOLERANCES AND MATERIAL. PER ECR 7722
A	AN	09-11-08	DRAWING CREATED PER DOR 08-E188CS

ALL INFORMATION ILLUSTRATED IS THE PROPERTY OF "CONXALL CORPORATION". UNAUTHORIZED DUPLICATION OR DISTRIBUTION OF THIS DOCUMENT IS PROHIBITED.	ORIG. DRAWN BY: AN DATE: 09-05-08	
ALL UNITS ARE IN FEET, INCHES, FRACTION OF INCHES AND DECIMALS.	CHECKED BY:	
APPROVED BY:	TITLE: CONNECTOR ASSEMBLY KIT (2-4) SOCKET CONTACTS MULTI-CON-X	CUSTOMER: STANDARD PRODUCT
SCALE: NTS SIZE: B SHEET: 1 OF 1	FILE: 3182-XSG-3XX(CCX) DIRECTORY: SLW	
PART NUMBER: 3182-XSG-3XX(CCX)		REV D