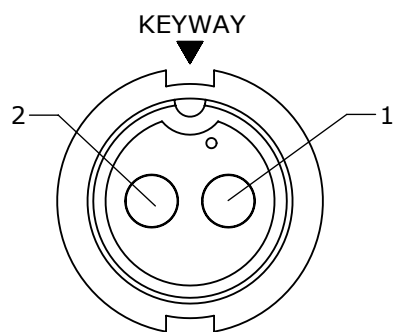
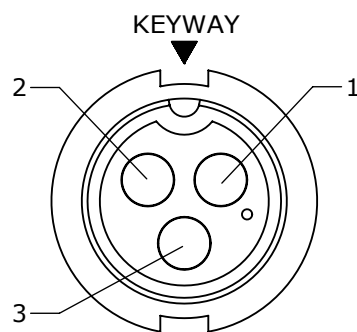


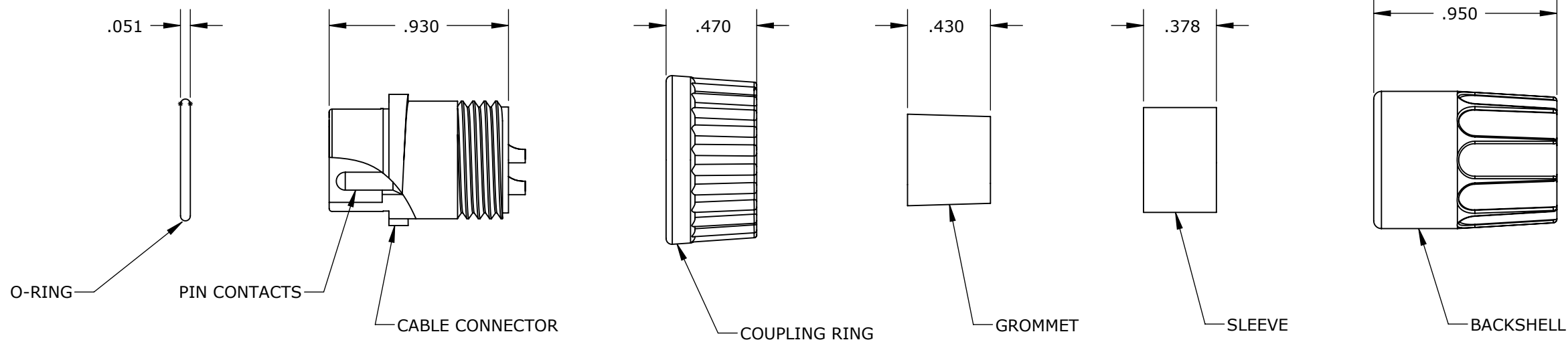
NOTES:
 1. PARTS TO BE BULK PACKED
 2. CONTACTS ARE ASSEMBLED INTO CONNECTOR.
 3. ALL DIMENSIONS ARE REFERENCE ONLY.



MATING FACE
 ASS'Y: 3182-2PG-3XX



MATING FACE
 ASS'Y: 3182-3PG-3XX



ASS'Y P/N	GROMMET FIT CABLE O.D.
3182-2PG-315	0.15-0.17 [3.8-4.3]
3182-3PG-315	
3182-2PG-318	0.18-0.20 [4.6-5.1]
3182-3PG-318	
3182-2PG-321	0.21-0.23 [5.3-5.8]
3182-3PG-321	
3182-2PG-324	0.24-0.27 [6.1-6.8]
3182-3PG-324	
3182-2PG-328	0.28-0.29 [7.1-7.4]
3182-3PG-328	
3182-2PG-330	0.30-0.32 [7.6-8.1]
3182-3PG-330	

DIMENSIONS IN BRACKET [] ARE METRIC.

CUSTOMER APPROVAL
 THIS DOCUMENT CONTAINS CONFIDENTIAL INFORMATION PROPRIETARY TO CONXALL CORPORATION. ANY REPRODUCTION, DISCLOSURE, OR USE OF THIS DOCUMENT /INFORMATION IS EXPRESSLY PROHIBITED UNLESS AUTHORIZED IN WRITING BY CONXALL CORPORATION.
 APPROVED BY: _____
 DATE: _____

A	AN	01-26-09	DRAWING CREATED PER DOR 09-E149SL	
REV.	INIT.	DATE	DESCRIPTION	
	AN	01-15-09	ORIG. DRAWN BY: AN DATE: 01-15-09 CHECKED BY: APPROVED BY:	
ALL INFORMATION ILLUSTRATED IS THE PROPERTY OF CONXALL CORPORATION. UNAUTHORIZED DUPLICATION OR DISTRIBUTION OF THIS DOCUMENT IS PROHIBITED. ALL UNITS ARE IN FEET, INCHES, FRACTION OF INCHES AND DECIMALS. UNLESS OTHERWISE SPECIFIED TOLERANCES: 3 PLACE DECIMALS ±.005 ANGLES ±1° FRACTIONS ±1/16 ▽ - CRITICAL CHARACTERISTIC FLAG PER SPEC. XXXX			 601 E. WILDWOOD VILLA PARK, IL 60181 TITLE: CONNECTOR ASSEMBLY KIT PIN CONTACTS MULTI-CON-X CUSTOMER: STANDARD PRODUCT	
FILE:	3182-XPG-3XX	DIRECTORY:	SLW	PART NUMBER: 3182-XPG-3XX
				REV A