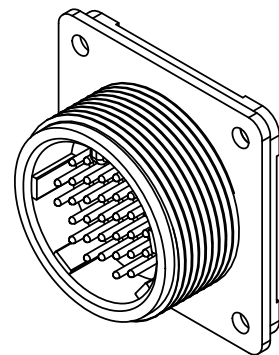
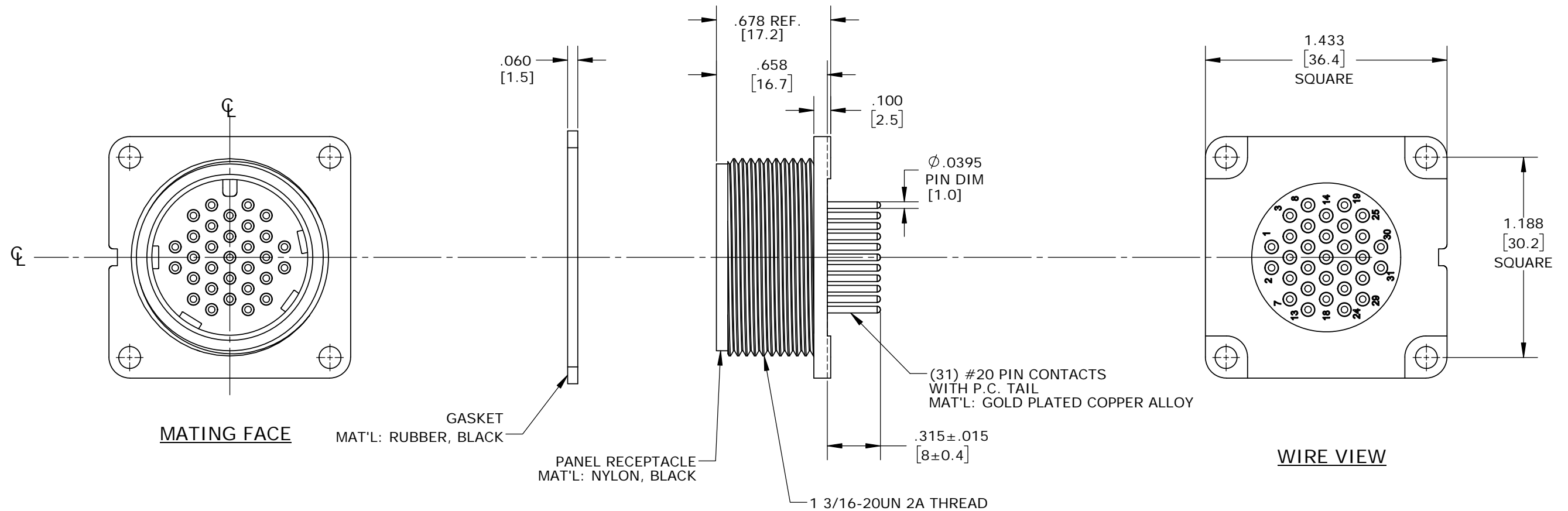


NOTES:

1. FINISHED PRODUCT TO BE BOXED.
GASKETS MAY BE PACKAGED SEPARATELY.
2. INSERT CONTACTS AS SHOWN
3. ALL DIMENSIONS ARE REFERENCE EXCEPT THOSE WITH A TOLERANCE.
4. SEE DRAWING HPMGSTD FOR HOLE PATTERN.



CUSTOMER APPROVAL

THIS DOCUMENT CONTAINS CONFIDENTIAL INFORMATION PROPRIETARY TO CONXALL CORPORATION. ANY REPRODUCTION, DISCLOSURE, OR USE OF THIS DOCUMENT /INFORMATION IS EXPRESSLY PROHIBITED UNLESS AUTHORIZED IN WRITING BY CONXALL CORPORATION.

APPROVED BY: _____

DATE: _____

RoHS COMPLIANT

A	MA	10-19-17	PACKAGING WAS 50 PIECES PER BAG PER ECR 9203
	AN	10-11-17	DRAWING CREATED PER DOR 15-E253SL #13
REV.	INIT.	DATE	DESCRIPTION
	AN	10-09-17	ALL INFORMATION ILLUSTRATED IS THE PROPERTY OF "CONXALL CORPORATION". UNAUTHORIZED DUPLICATION OR DISTRIBUTION OF THIS DOCUMENT IS PROHIBITED.
ALL UNITS ARE IN FEET, INCHES, FRACTION OF INCHES AND DECIMALS.			<p>601 E. WILDWOOD VILLA PARK, IL 60181</p>
APPROVED BY:		TITLE:	PANEL CONNECTOR ASS'Y
SCALE: NTS		SIZE: B	31 #20 PIN CONTACTS
SHEET: 1 OF 1		CUSTOMER:	MEGA-CON-X
FILE: 24292-31PGT-300		DIRECTORY: SLW	STANDARD PRODUCT
- CRITICAL CHARACTERISTIC FLAG PER SPEC. XXXX			PART NUMBER: 24292-31PGT-300
			REV A