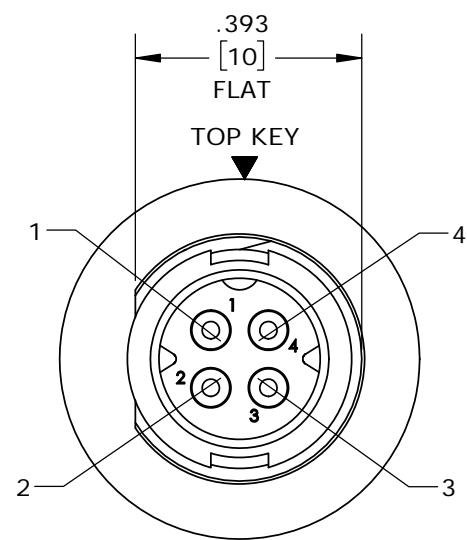
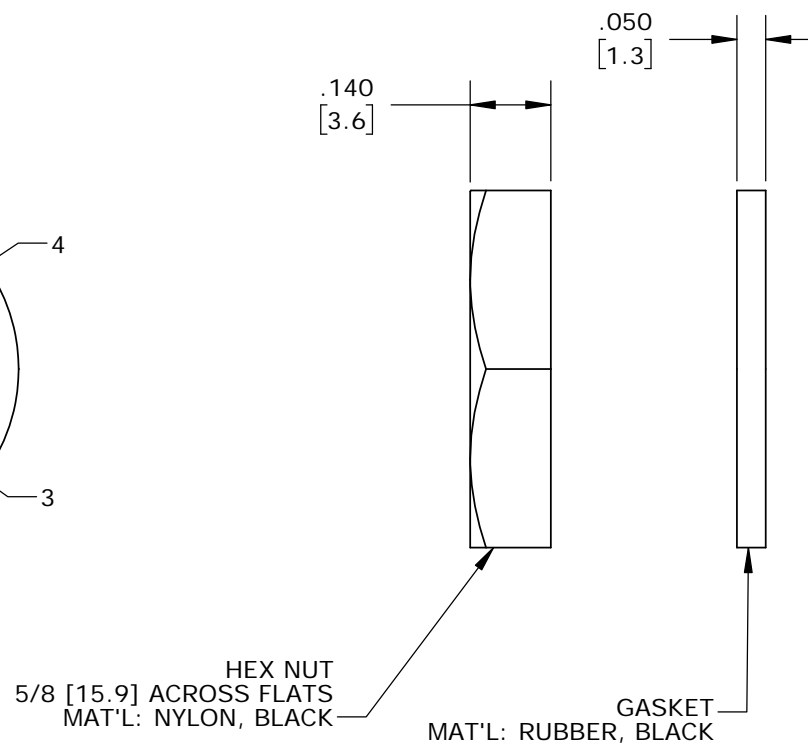


NOTES:

1. ALL PARTS ARE TO BE BULK PACKED.
2. CONTACTS ARE ASSEMBLED INTO PANEL CONNECTOR WITH SOLDER CUP FACING TOP KEY DIRECTION.
3. ALL DIMENSIONS ARE REFERENCE EXCEPT THOSE WITH A TOLERANCE

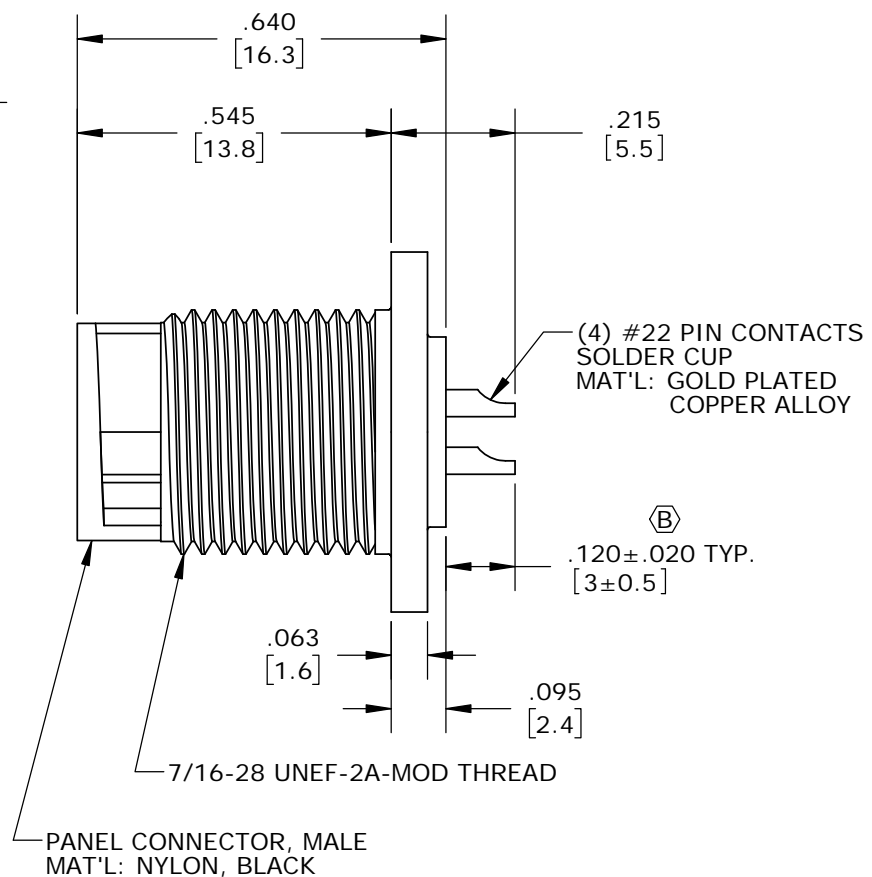


FACE VIEW



HEX NUT
5/8 [15.9] ACROSS FLATS
MAT'L: NYLON, BLACK

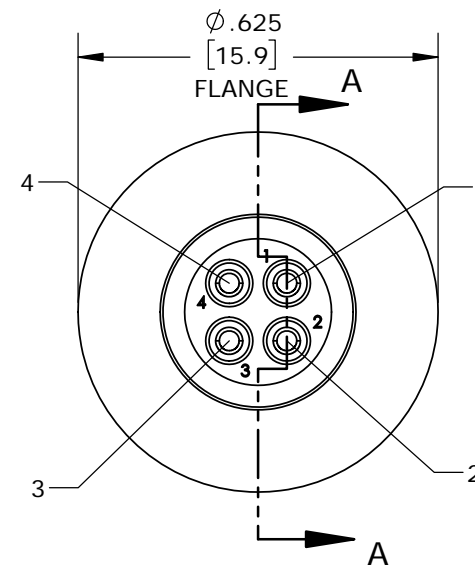
GASKET
MAT'L: RUBBER, BLACK



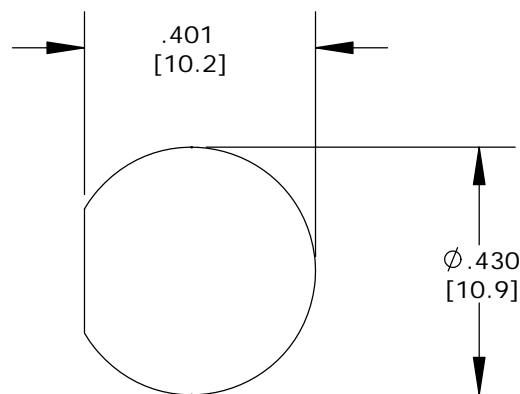
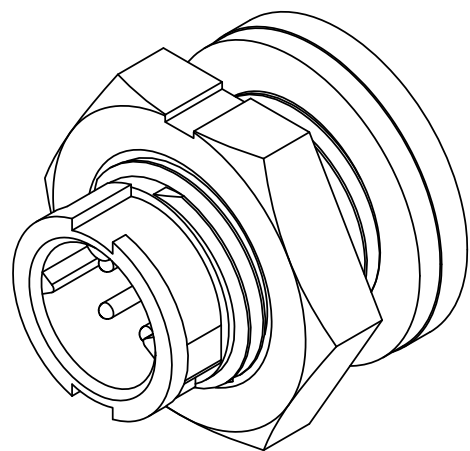
(4) #22 PIN CONTACTS
SOLDER CUP
MAT'L: GOLD PLATED
COPPER ALLOY

ⓑ
.120 ± .020 TYP.
[3 ± 0.5]

PANEL CONNECTOR, MALE
MAT'L: NYLON, BLACK



WIRE VIEW



**RECOMMENDED
PANEL CUT-OUT**
TOLERANCE: ±.003

DIMENSIONS IN BRACKET [] ARE METRIC.

CUSTOMER APPROVAL

THIS DOCUMENT CONTAINS CONFIDENTIAL INFORMATION PROPRIETARY TO CONXALL CORPORATION. ANY REPRODUCTION, DISCLOSURE, OR USE OF THIS DOCUMENT /INFORMATION IS EXPRESSLY PROHIBITED UNLESS AUTHORIZED IN WRITING BY CONXALL CORPORATION.

APPROVED BY: _____

DATE: _____

RoHS COMPLIANT

B	MA	12-07-17	TOLERANCE ON CONTACT LOCATION WAS ±.015 PER ECR 9211 #2
A	AN	10-17-11	DRAWING CREATED PER DOR 11-E149SL
REV.	INIT.	DATE	DESCRIPTION
ALL INFORMATION ILLUSTRATED IS THE PROPERTY OF CONXALL CORPORATION. UNAUTHORIZED DUPLICATION OR DISTRIBUTION OF THIS DOCUMENT IS PROHIBITED.		ORIG. DRAWN BY: PAK	DATE: 07/19/11
ALL UNITS ARE IN FEET, INCHES, FRACTION OF INCHES AND DECIMALS. UNLESS OTHERWISE SPECIFIED TOLERANCES: 3 PLACE DECIMALS ±.010 ANGLES ±1° FRACTIONS ±1/16		CHECKED BY:	 601 E. WILDWOOD VILLA PARK, IL 60181
- CRITICAL CHARACTERISTIC FLAG PER SPEC. XXXX		APPROVED BY:	
SCALE	SIZE	SHEET	TITLE: PANEL CONNECTOR ASSEMBLY (4) #22 PIN CONTACTS, SOLDER CUP MICRO-CON-X
NTS	B	1 OF 1	CUSTOMER: STANDARD PRODUCT
FILE:	DIRECTORY:	PART NUMBER:	REV B
17882-4PG-300	SLW	17882-4PG-300	