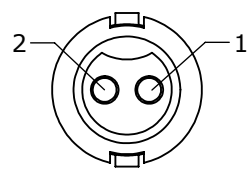


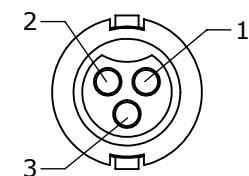
KIT P/N	NO. OF CONTACTS
16280-2PG-3XX	2 #20
16280-3PG-3XX	3 #20
16280-XPG-3XX	

- NOTES:
 1. ALL PARTS TO BE BULK PACKED.
 2. ALL DIMENSIONS ARE REFERENCE ONLY.

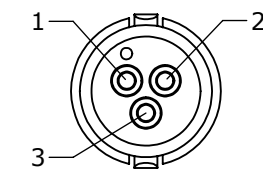
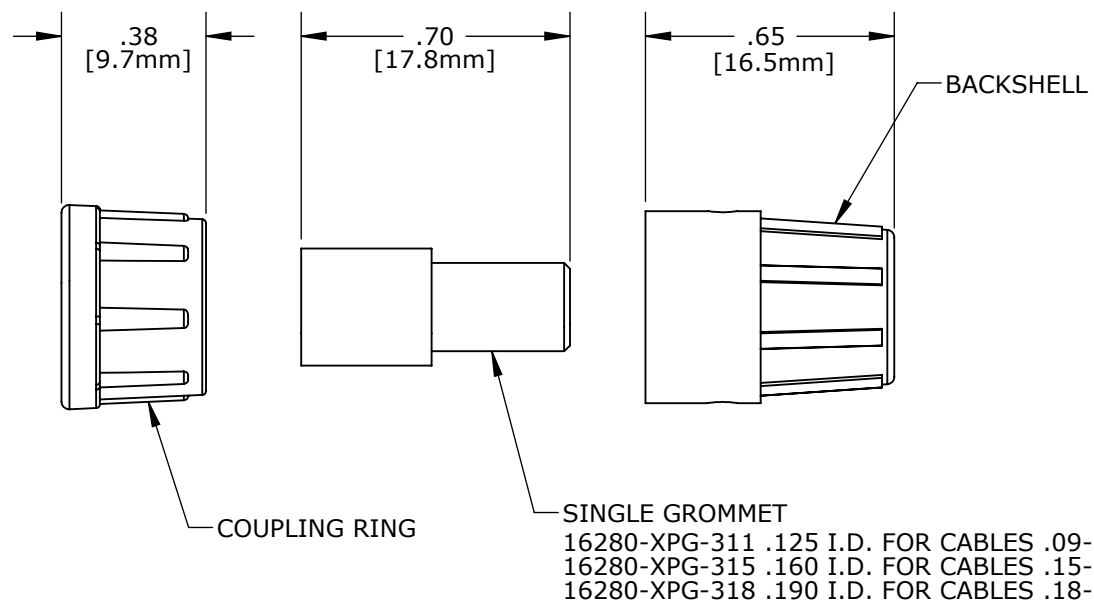
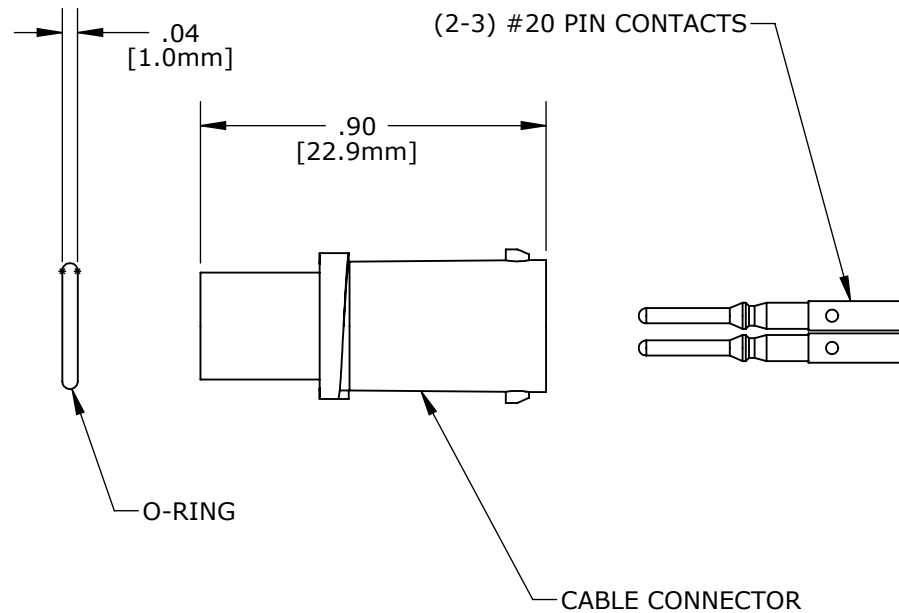
GROMMET SIZE
 NO. OF CONTACTS



FACE VIEW
16280-2PG-3XX



FACE VIEW
16280-3PG-3XX



WIRE VIEW
16280-3PG-3XX SHOWN

SINGLE GROMMET
 16280-XPG-311 .125 I.D. FOR CABLES .09-.14 [2.3-3.5mm] O.D.
 16280-XPG-315 .160 I.D. FOR CABLES .15-.17 [3.8-4.3mm] O.D.
 16280-XPG-318 .190 I.D. FOR CABLES .18-.20 [4.6-5.1mm] O.D.

KIT P/N	GROMMET SIZE
16280-XPG-311	CABLE O.D. .09-.14 [2.3-3.5mm]
16280-XPG-315	CABLE O.D. .15-.17 [3.8-4.3mm]
16280-XPG-318	CABLE O.D. .18-.20 [4.6-5.1mm]

CUSTOMER APPROVAL

THIS DOCUMENT CONTAINS CONFIDENTIAL INFORMATION PROPRIETARY TO CONXALL CORPORATION. ANY REPRODUCTION, DISCLOSURE, OR USE OF THIS DOCUMENT / INFORMATION IS EXPRESSLY PROHIBITED UNLESS AUTHORIZED IN WRITING BY CONXALL CORPORATION.

APPROVED BY: _____
 DATE: _____

DIMENSIONS IS BRACKETS [] ARE METRIC

REV.	INIT.	DATE	DESCRIPTION
A	BZ	09-29-09	DRAWING CREATED PER DOR 09-E149SL
<small>ALL INFORMATION ILLUSTRATED IS THE PROPERTY OF "CONXALL CORPORATION". UNAUTHORIZED DUPLICATION OR DISTRIBUTION OF THIS DOCUMENT IS PROHIBITED.</small>			ORIG. DRAWN BY: BZ DATE: 09-29-09 CHECKED BY:
<small>ALL UNITS ARE IN FEET, INCHES, FRACTION OF INCHES AND DECIMALS.</small>			APPROVED BY: TITLE: CABLE CONNECTOR KIT 2-3 #20 PIN CONTACTS MICRO-CON-X STANDARD PRODUCT
SCALE	SIZE	SHEET	CUSTOMER:
NTS	B	1 OF 1	STANDARD PRODUCT
FILE:	DIRECTORY:	PART NUMBER:	REV
16280-XPG-3XX	SLW	16280-XPG-3XX	A