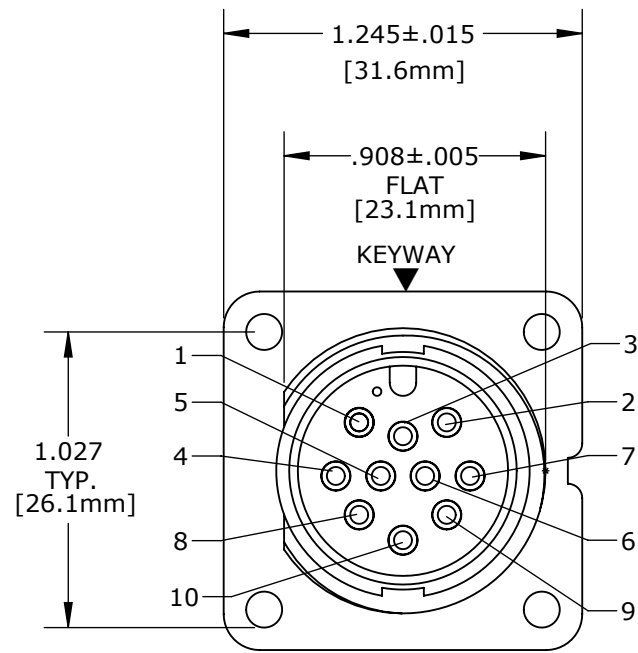


- NOTES:
 1. PARTS TO BE BULK PACKED
 2. CONTACTS TO BE INSTALLED INTO CONNECTOR



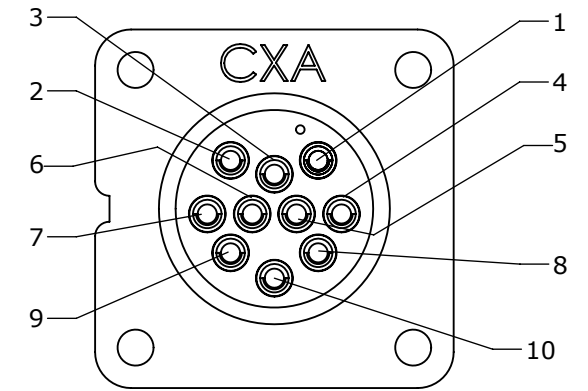
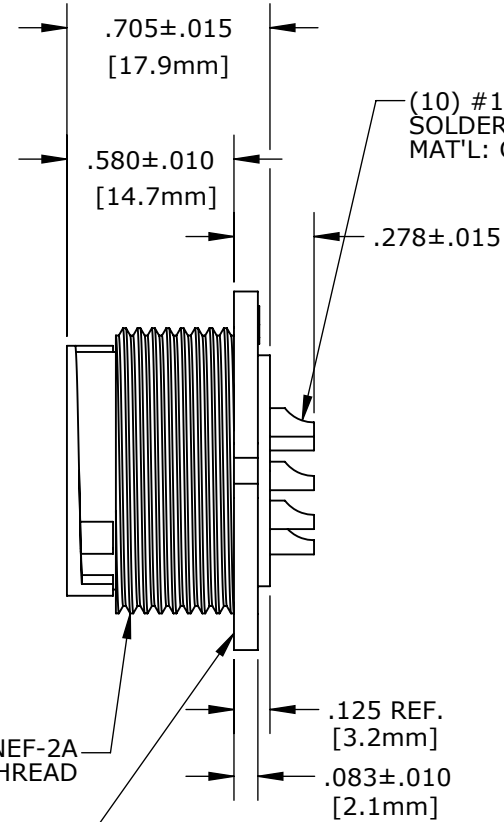
FACE VIEW

HEX NUT
 MAT'L: THERMOPLASTIC, BLACK

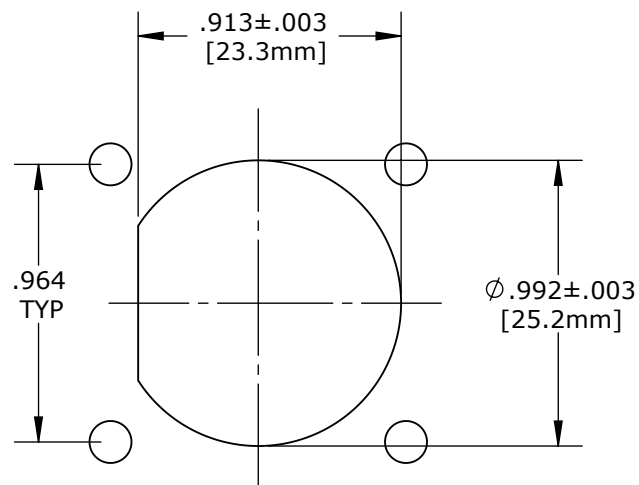
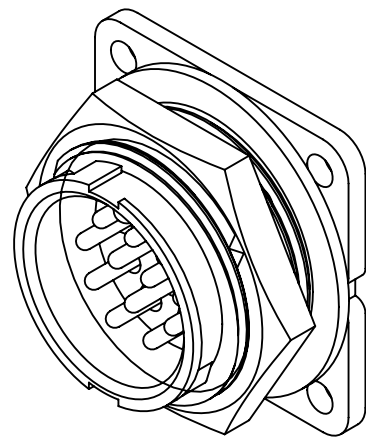
GASKET
 MAT'L: RUBBER, BLACK

1-20 UNEF-2A
 MOD. THREAD

PANEL INSERT, MALE
 MAT'L: THERMOPLASTIC, BLACK



WIRING END



RECOMMENDED PANEL CUTOUT

DIMENSIONS IN BRACKETS [] ARE METRIC

CUSTOMER APPROVAL

THIS DOCUMENT CONTAINS CONFIDENTIAL INFORMATION PROPRIETARY TO CONXALL CORPORATION. ANY REPRODUCTION, DISCLOSURE, OR USE OF THIS DOCUMENT / INFORMATION IS EXPRESSLY PROHIBITED UNLESS AUTHORIZED IN WRITING BY CONXALL CORPORATION.

APPROVED BY: _____
 DATE: _____

RoHS COMPLIANT

A	AN	12-01-14	DRAWING CREATED PER DOR 14-E149SL #39
REV:	INIT.	DATE	DESCRIPTION
	AN	11-25-14	
<small>ALL INFORMATION ILLUSTRATED IS THE PROPERTY OF CONXALL CORPORATION. UNAUTHORIZED DUPLICATION OR DISTRIBUTION OF THIS DOCUMENT IS PROHIBITED.</small>			<p>601 E. WILDWOOD VILLA PARK, IL 60181</p>
<small>ALL UNITS ARE IN FEET, INCHES, FRACTION OF INCHES AND DECIMALS.</small>			
APPROVED BY:		TITLE: PANEL MOUNT ASSEMBLY (10) #16 PIN CONTACT, SOLDER	
SCALE: NTS		CUSTOMER: STANDARD PRODUCT	
FILE: 14382-10PG-300	DIRECTORY: SLW	SHEET: 1 OF 1	PART NUMBER: 14382-10PG-300
<small>- CRITICAL CHARACTERISTIC FLAG PER SPEC. XXXX</small>			REV: A