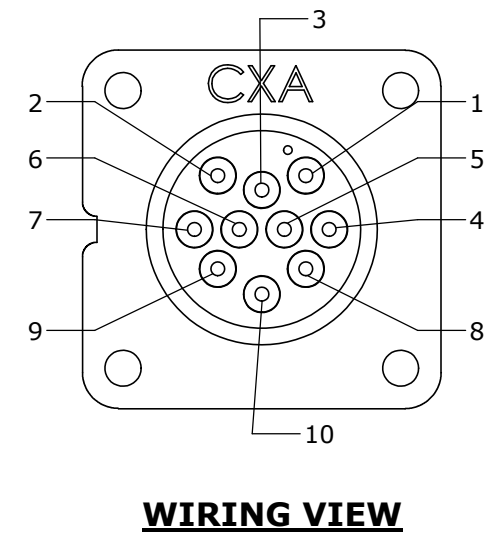
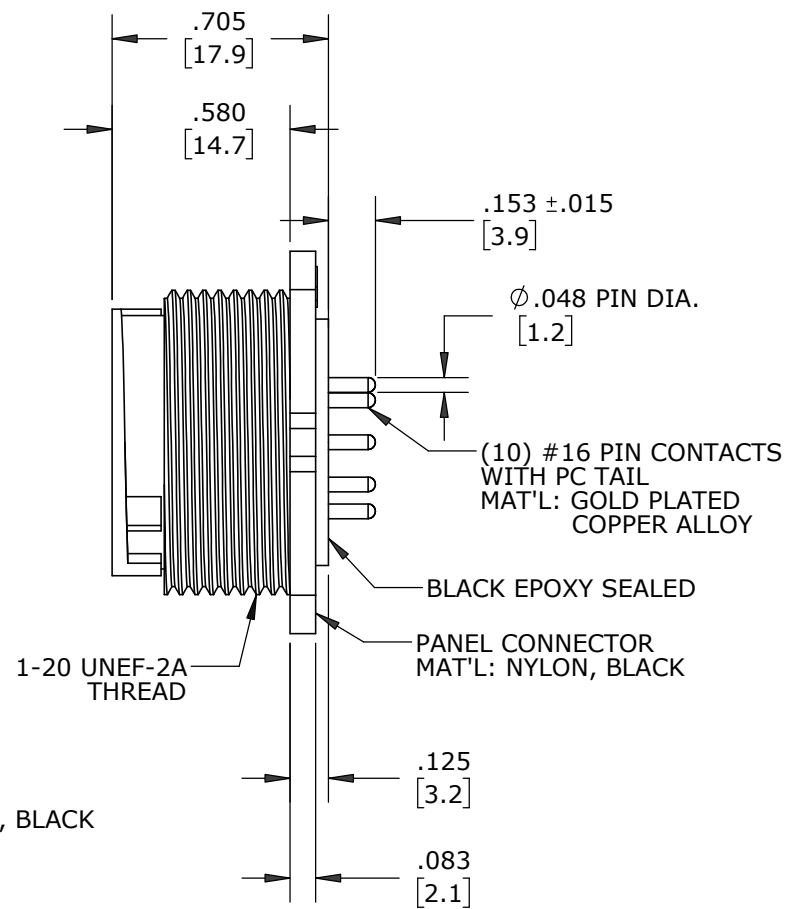
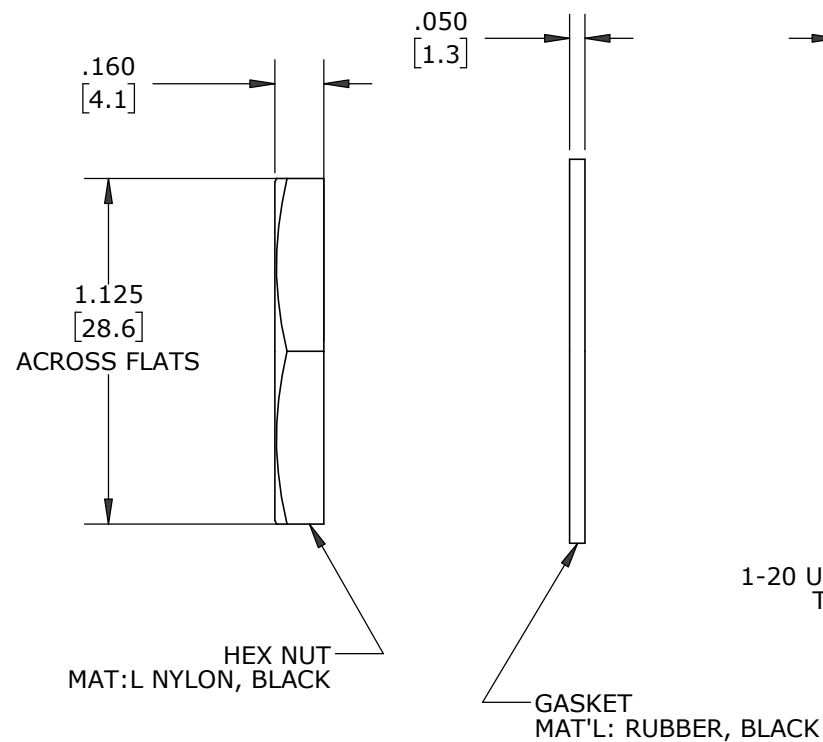
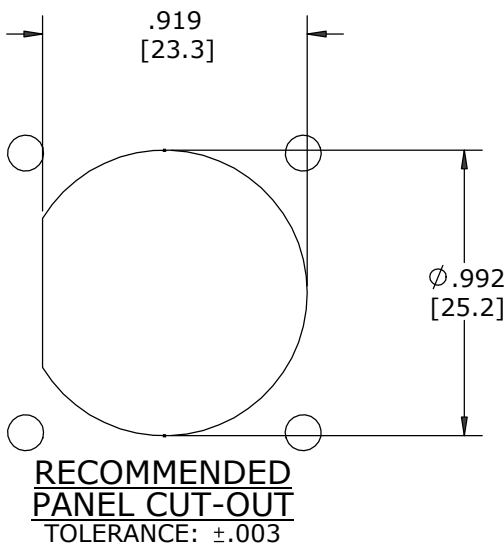
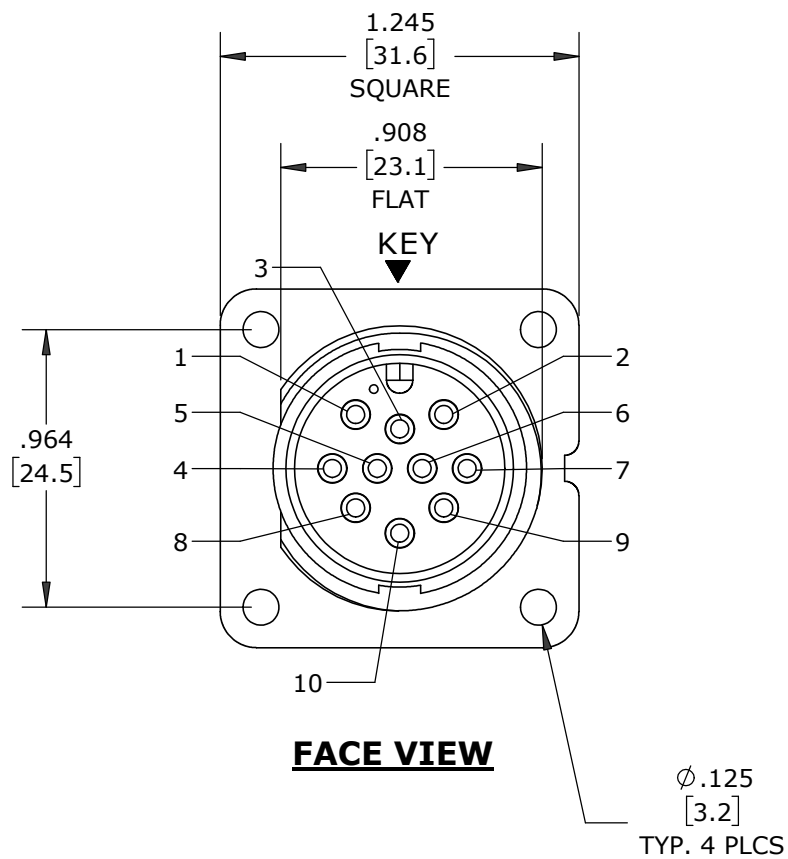


NOTES:

- 1. FINISHED PRODUCT TO BE BOXED
GASKET AND HEX NUT MAY BE PACKAGED SEPARATELY.
- 2. CONTACTS ARE INSERTED IN CONNECTOR
- 3. ALL DIMENSIONS ARE REFERENCE ONLY EXCEPT WHERE NOTED WITH A TOLERANCE.
- 4. SEE DRAWING HPMXSTD FOR HOLE PATTERN.



CUSTOMER APPROVAL

THIS DOCUMENT CONTAINS CONFIDENTIAL INFORMATION PROPRIETARY TO CONXALL CORPORATION. ANY REPRODUCTION, DISCLOSURE, OR USE OF THIS DOCUMENT /INFORMATION IS EXPRESSLY PROHIBITED UNLESS AUTHORIZED IN WRITING BY CONXALL CORPORATION.

APPROVED BY: _____

DATE: _____

RoHS COMPLIANT

B	SS	06-18-21	CHANGED PACKAGING FROM BAGGED TO BOXED AND WAS REDRAWN IN SLW PER ECR 9591
A	SXL	12-13-02	DRAWING CREATED PER DOR 02-2160KZ
REV.	INIT.	DATE	DESCRIPTION
	S.X.	LOU	12-12-02
<small>ALL INFORMATION ILLUSTRATED IS THE PROPERTY OF CONXALL CORPORATION. UNAUTHORIZED DUPLICATION OR DISTRIBUTION OF THIS DOCUMENT IS PROHIBITED.</small>			<p>601 E. WILDWOOD VILLA PARK, IL 60181</p>
<small>ALL UNITS ARE IN FEET, INCHES, FRACTIONS OF INCHES AND DECIMALS.</small>			
SCALE: NTS		SIZE: B	SHEET: 1 OF 1
FILE: 14381-10PG-3ES		DIRECTORY: SLW	TITLE: PANEL CONNECTOR ASSY (10) #16 PIN CONTACTS MAXI-CON-X STANDARD PRODUCT
PART NUMBER: 14381-10PG-3ES			REV: B

DIMENSIONS IN BRACKETS [] ARE METRIC