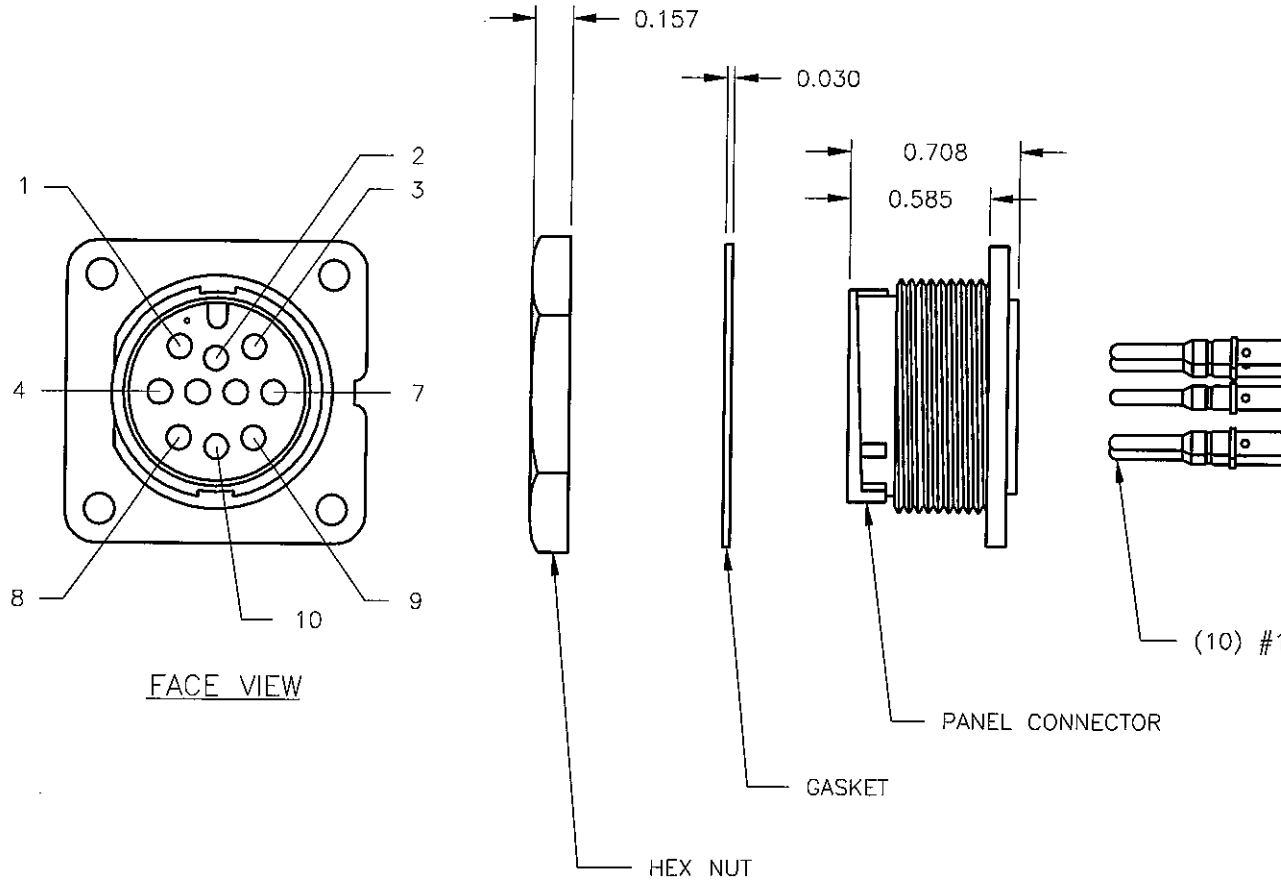


PART NUMBER: 14380-10PG-300

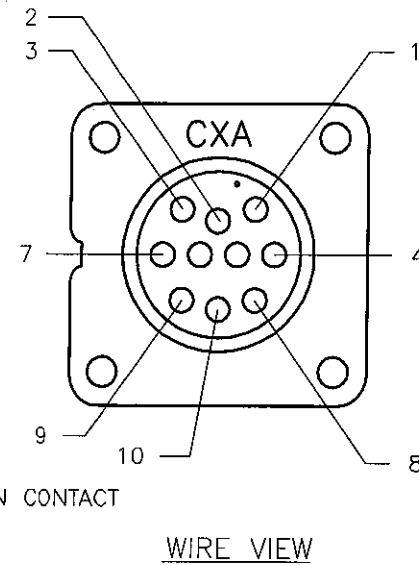
CUSTOMER PRINT

NOTES:

1. BULK PACK
2. ALL DIMENSIONS ARE REFERENCE ONLY



COPY



CUSTOMER APPROVAL

CHECKED BY: _____
 APPROVED BY: _____
 DATE: _____

A	ARP	08-16-95	RELEASED PER DOR 95-172RP
REV.	INIT.	DATE	DESCRIPTION
ALL INFORMATION ILLUSTRATED IS THE PROPERTY OF "CONXALL CORPORATION." UNAUTHORIZED DUPLICATION OR DISTRIBUTION OF THIS DOCUMENT IS PROHIBITED.		ORIG. DRAWN BY: ARP	DATE: 08-16-95
ALL UNITS ARE IN FEET, INCHES, FRACTION OF INCHES AND DECIMALS.		CHECKED BY: <i>[Signature]</i>	DATE: 8/21/95
UNLESS OTHERWISE SPECIFIED TOLERANCES:		APPROVED BY: <i>[Signature]</i>	DATE: 8/31/95
3 PLACE DECIMALS ±.005		SCALE: NTS	SHEET: A
ANGLES ±1°		1 OF 1	CUSTOMER: STANDART PRODUCT
FRACTIONS ±1/16		FILE: 14380-10	DIRECTORY: CATALOG
△ - CRITICAL CHARACTERISTIC FLAG PER SPEC. XXXX		PART NUMBER: 14380-10PG-300	REV. A

conxall

601 E. WILDWOOD VILLA PARK, IL 60181

TITLE: PANEL ASSEMBLY
MAXI-CON-X

CUSTOMER: STANDART PRODUCT

PART NUMBER: 14380-10PG-300

REV. A