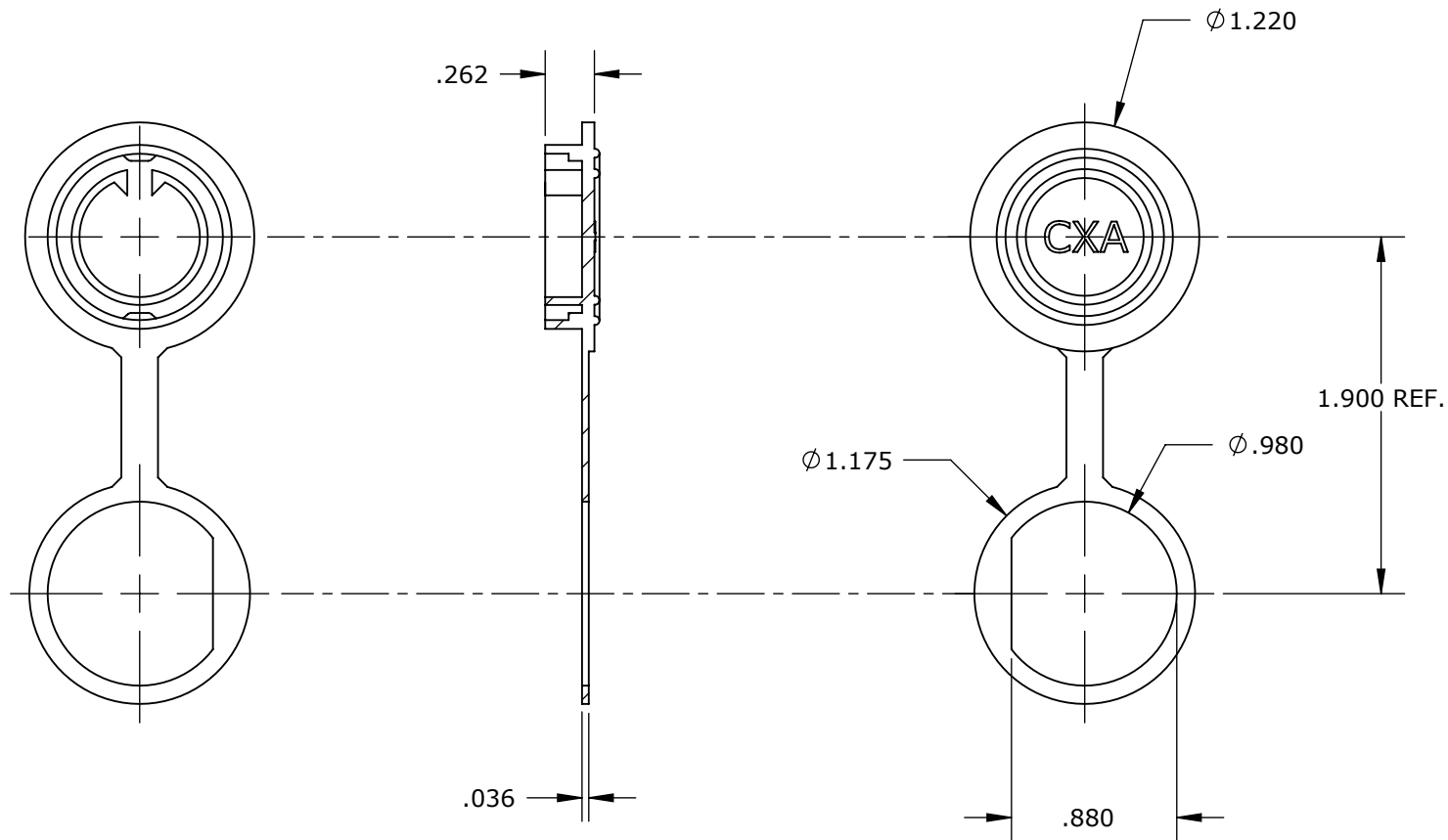


- NOTES:**
- MATERIAL: RUBBER, BLACK, 87 DUROMETER
 - DIMENSIONS SHOWN ARE REFERENCE DIMENSIONS



CUSTOMER APPROVAL	
THIS DOCUMENT CONTAINS CONFIDENTIAL INFORMATION PROPRIETARY TO CONXALL CORPORATION. ANY REPRODUCTION, DISCLOSURE, OR USE OF THIS DOCUMENT /INFORMATION IS EXPRESSLY PROHIBITED UNLESS AUTHORIZED IN WRITING BY CONXALL CORPORATION.	
APPROVED BY: _____	DATE: _____

B	AN	01-11-11	REDRAWING IN SOLIDWORKS PER DOR 11-E149SL
A	R.R.	01-05-93	DRAWING RELEASE
REV.	INIT.	DATE	DESCRIPTION
ALL INFORMATION ILLUSTRATED IS THE PROPERTY OF "CONXALL CORPORATION." UNAUTHORIZED DUPLICATION OR DISTRIBUTION OF THIS DOCUMENT IS PROHIBITED.		ORIG. DRAWN BY: R.R.	DATE: 01-05-93
ALL UNITS ARE IN FEET, INCHES, FRACTION OF INCHES AND DECIMALS.		CHECKED BY:	 601 E. WILDWOOD VILLA PARK, IL 60181
		APPROVED BY:	
SCALE	SIZE	SHEET	
NTS	A	1 OF 1	
FILE:	DIRECTORY:	PART NUMBER:	REV
14295	SLW	14295	B
TITLE: DUST COVER LEFT FLAT			CUSTOMER: STANDARD PRODUCT