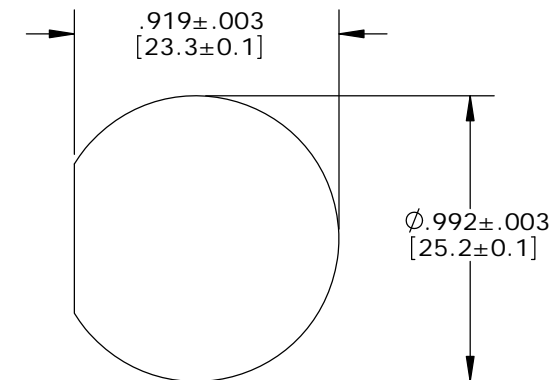


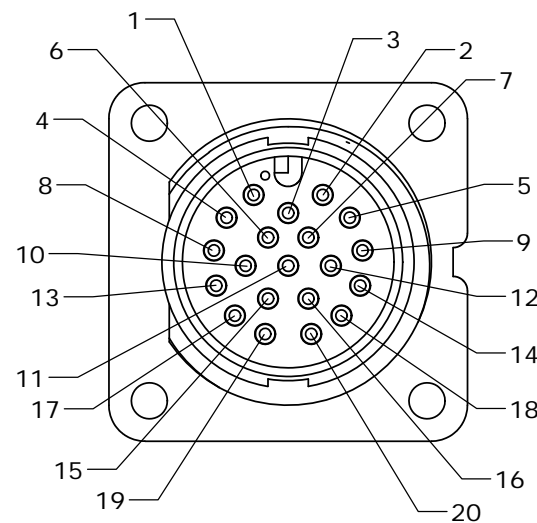
**NOTES:**

1. FINISHED PRODUCT TO BE BOXED.
2. GASKETS AND HEX NUTS MAY BE BULK PACKED
3. INSTALL CONTACTS INTO CONNECTOR AS SHOWN.
3. REAR WELL FILLED WITH BLACK EPOXY.
4. ALL DIMENSIONS ARE REFERENCE EXCEPT THOSE WITH A TOLERANCE.
5. SEE DRAWING HPMXSTD FOR HOLE PATTERN.

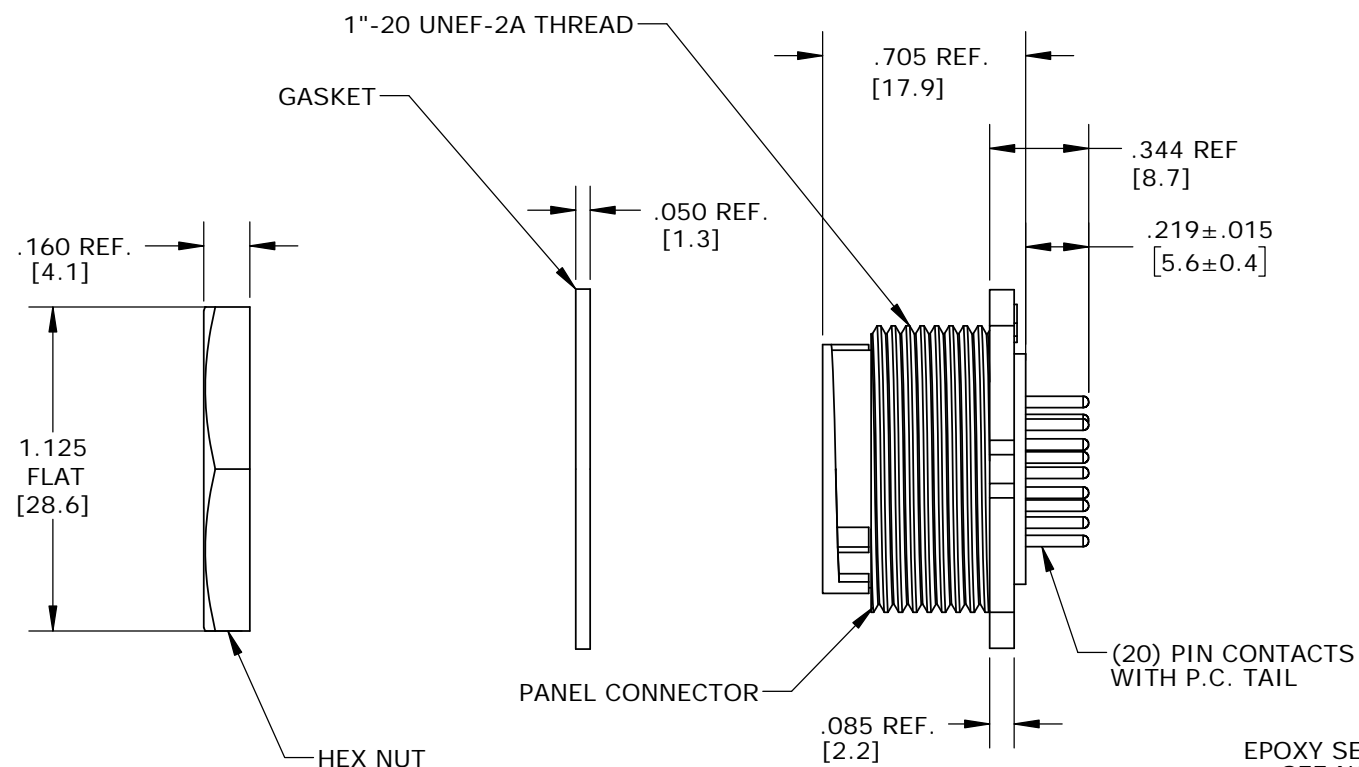
<b>CUSTOMER APPROVAL</b>
THIS DOCUMENT CONTAINS CONFIDENTIAL INFORMATION PROPRIETARY TO CONXALL CORPORATION. ANY REPRODUCTION, DISCLOSURE, OR USE OF THIS DOCUMENT /INFORMATION IS EXPRESSLY PROHIBITED UNLESS AUTHORIZED IN WRITING BY CONXALL CORPORATION.
CHECKED BY: _____
APPROVED BY: _____
DATE: _____



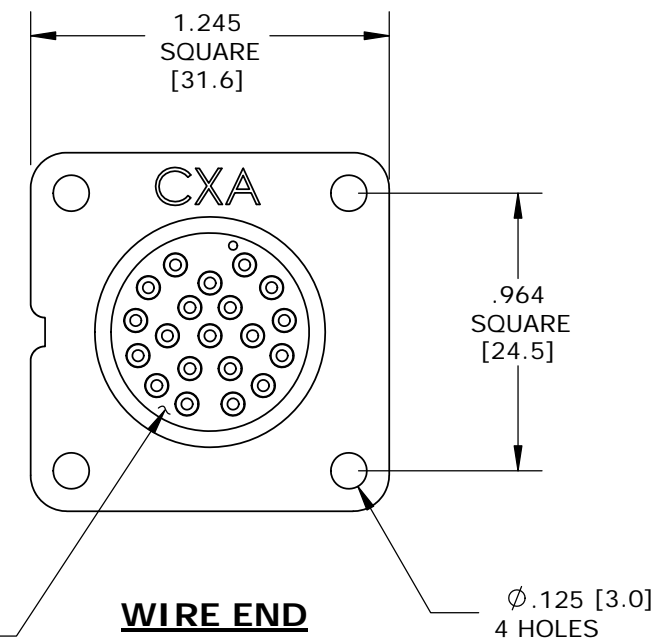
**RECOMMENDED  
PANEL CUTOUT**



**MATING FACE**



**PC TAIL CONTACT**



**WIRE END**

DIMENSIONS IN BRACKETS [] ARE METRIC

**RoHS COMPLIANT**

A	MA	10-10-17	CREATED DRAWING PER ECR 9203
REV.	INIT.	DATE	DESCRIPTION
			ORIG. DRAWN BY: RCS DATE: 02-20-02 CHECKED BY: APPROVED BY:
ALL INFORMATION ILLUSTRATED IS THE PROPERTY OF "CONXALL CORPORATION". UNAUTHORIZED DUPLICATION OR DISTRIBUTION OF THIS DOCUMENT IS PROHIBITED.			601 E. WILDWOOD VILLA PARK, IL 60181
ALL UNITS ARE IN FEET, INCHES, FRACTION OF INCHES AND DECIMALS.			
SCALE	SIZE	SHEET	TITLE:
NTS	B	1 OF 1	CONNECTOR ASS'Y KIT
FILE:	DIRECTORY:	PART NUMBER:	CUSTOMER:
14291-20PG-300	SLW	14291-20PG-3ES	STANDARD PRODUCT
- CRITICAL CHARACTERISTIC FLAG PER SPEC. XXXX			REV A