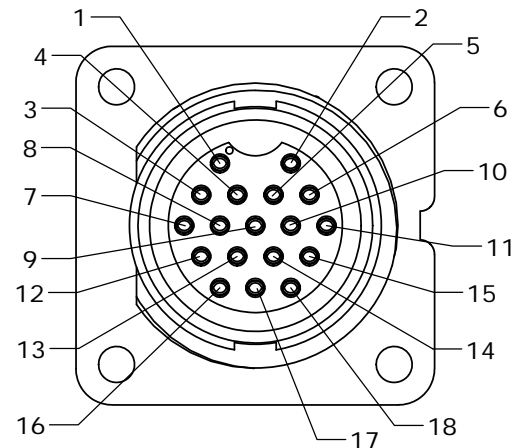
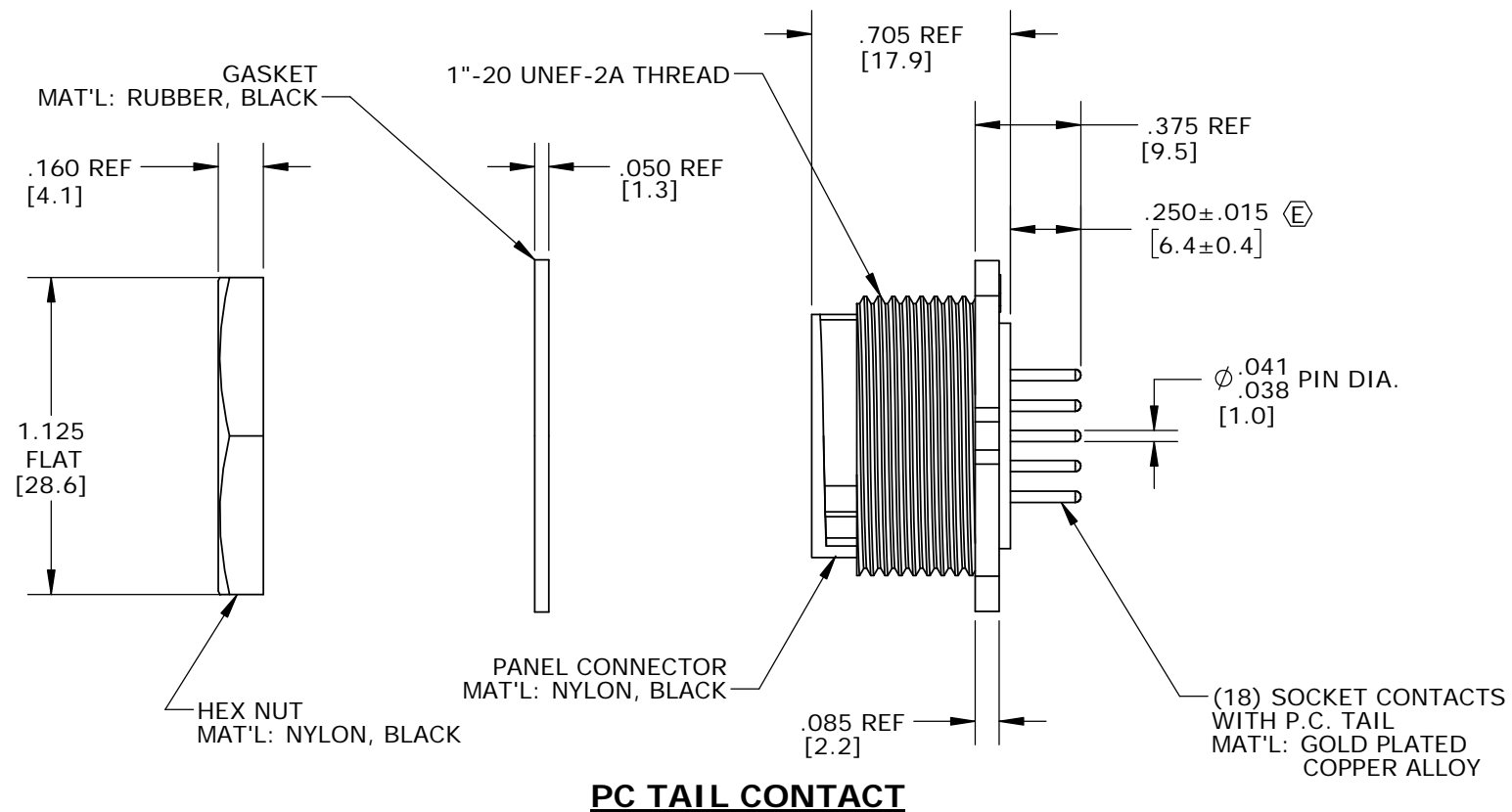


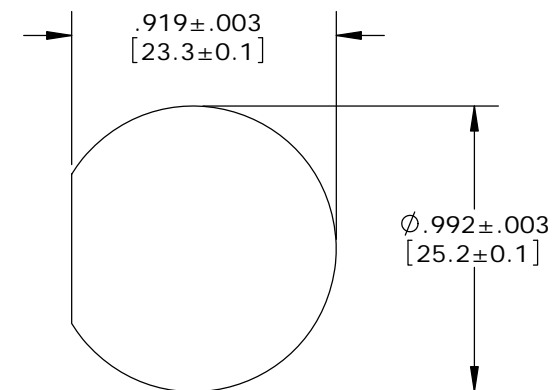
- NOTES:**
1. FINISHED PRODUCT TO BE BOXED.
GASKETS AND HEX NUTS MAY BE BULK PACKED
 2. INSTALL CONTACTS INTO CONNECTOR AS SHOWN.
 3. ALL DIMENSIONS ARE REFERENCE EXCEPT THOSE WITH A TOLERANCE.
 4. SEE DRAWING HPMXSTD FOR HOLE PATTERN.



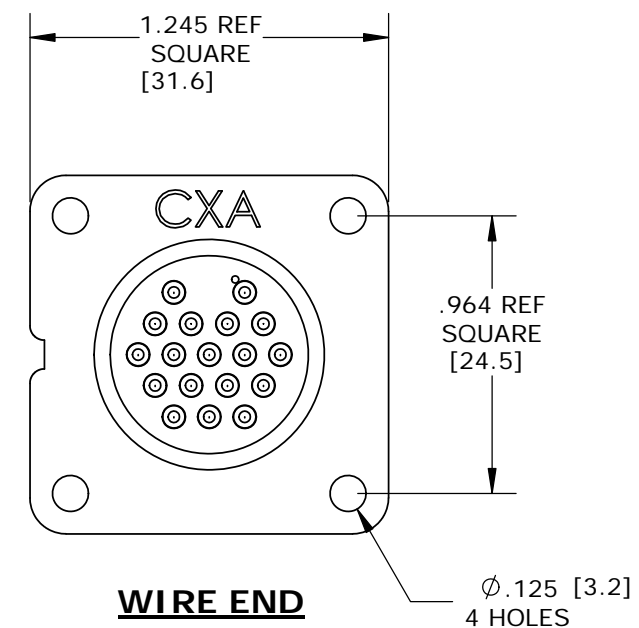
MATING FACE



PC TAIL CONTACT



RECOMMENDED PANEL CUTOUT



CUSTOMER APPROVAL	
THIS DOCUMENT CONTAINS CONFIDENTIAL INFORMATION PROPRIETARY TO CONXALL CORPORATION. ANY REPRODUCTION, DISCLOSURE, OR USE OF THIS DOCUMENT /INFORMATION IS EXPRESSLY PROHIBITED UNLESS AUTHORIZED IN WRITING BY CONXALL CORPORATION.	
CHECKED BY: _____	APPROVED BY: _____
DATE: _____	

DIMENSIONS IN BRACKETS [] ARE METRIC

RoHS COMPLIANT

E	MA	10-09-17	PACKAGING WAS 100 PIECES PER BAG, CONTACT LOCATION DIM WAS .245 ±.010 & .370 REF PER ECR 9203
D	BZ	01-13-10	REMOVED P/N 14282-18SG-300, SEE DRAWING 14282-18SG-300 PER ECR 7330
C	AN	07-28-08	UPDATED PER ECR 6905
B	RCS	02-25-02	UPDATED DRAWING PER DOR 02-4021KZ
A	LR	09-02-97	DRAWING CREATED PER SALES REQUEST
REV.	INIT.	DATE	DESCRIPTION
	LR	09-02-97	ORIG. DRAWN BY: DATE: LR 09-02-97
			CHECKED BY:
			APPROVED BY:
SCALE	SIZE	SHEET	 601 E. WILDWOOD VILLA PARK, IL 60181 TITLE: CONNECTOR ASS'Y KIT 18 POLE, SOCKET MAXI-CON-X STANDARD PRODUCT
NTS	B	1 OF 1	
FILE:	DIRECTORY:	PART NUMBER:	CUSTOMER: STANDARD PRODUCT 14291-18SG-300 SLW 14291-18SG-300
ALL INFORMATION ILLUSTRATED IS THE PROPERTY OF CONXALL CORPORATION. UNAUTHORIZED DUPLICATION OR DISTRIBUTION OF THIS DOCUMENT IS PROHIBITED.			ALL UNITS ARE IN FEET, INCHES, FRACTION OF INCHES AND DECIMALS.
- CRITICAL CHARACTERISTIC FLAG PER SPEC. XXXX			REV E