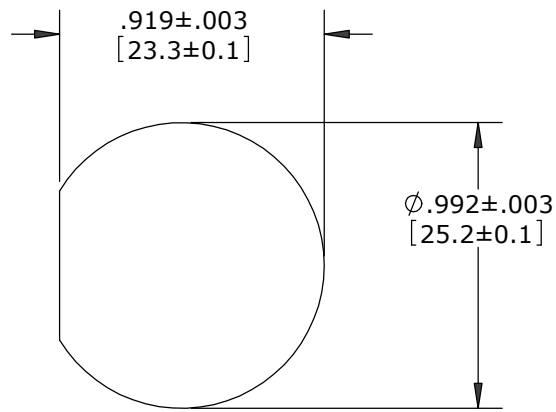
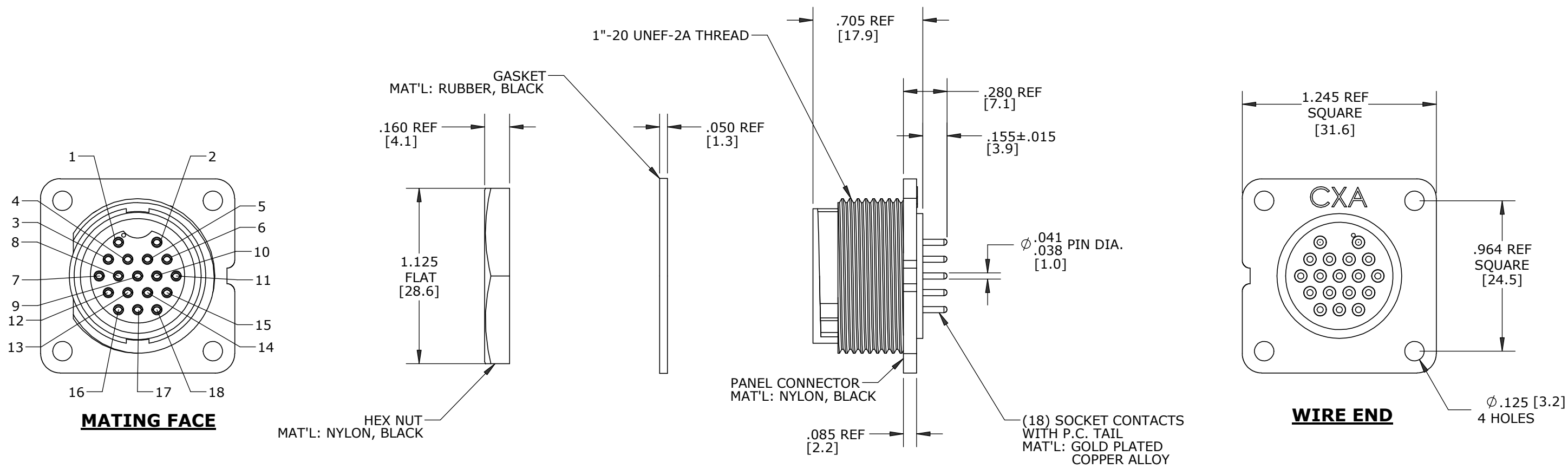


- Ⓢ NOTES:
1. FINISHED PRODUCT TO BE BOXED. GASKETS AND HEX NUTS MAY BE PACKAGED SEPARATELY.
 2. CONTACTS ASSEMBLED INTO CONNECTOR.
 3. ALL DIMENSIONS ARE REFERENCE ONLY EXCEPT WHERE NOTED WITH A TOLERANCE DIMENSIONS IN BRACKETS [] ARE METRIC.
 4. SEE DRAWING HPMXSTD FOR HOLE PATTERN



CUSTOMER APPROVAL

THIS DOCUMENT CONTAINS CONFIDENTIAL INFORMATION PROPRIETARY TO CONXALL CORPORATION. ANY REPRODUCTION, DISCLOSURE, OR USE OF THIS DOCUMENT / INFORMATION IS EXPRESSLY PROHIBITED UNLESS AUTHORIZED IN WRITING BY CONXALL CORPORATION.

CHECKED BY: _____

APPROVED BY: _____

DATE: _____

DIMENSIONS IN BRACKETS [] ARE METRIC

RoHS COMPLIANT

F	SS	06-25-20	CHANGED PACKAGING FROM BAGGED TO BOXED PER ECR 9526
E	MA	10-09-17	CONTACT LOCATION DIM WAS .150 ± .010 & .275 REF PER ECR 9203
D	BZ	01-13-10	REMOVED P/N 14282-18SG-300, SEE DRAWING 14282-18SG-300 PER ECR 7330
C	AN	07-28-08	UPDATED PER ECR 6905
B	RCS	02-25-02	UPDATED DRAWING PER DOR 02-4021KZ
A	LR	09-02-97	DRAWING CREATED PER SALES REQUEST
REV.	INIT.	DATE	DESCRIPTION
	LR	09-02-97	ORIG. DRAWN BY: DATE: 09-02-97
			CHECKED BY:
			APPROVED BY:
SCALE	SIZE	SHEET	<p>601 E. WILDWOOD VILLA PARK, IL 60181</p> <p>TITLE: CONNECTOR ASS'Y KIT 18 POLE, SOCKET MAXI-CON-X CUSTOMER: STANDARD PRODUCT</p>
NTS	B	1 OF 1	
FILE:	DIRECTORY:	PART NUMBER:	REV
14281-18SG-300	SLW	14281-18SG-300	F