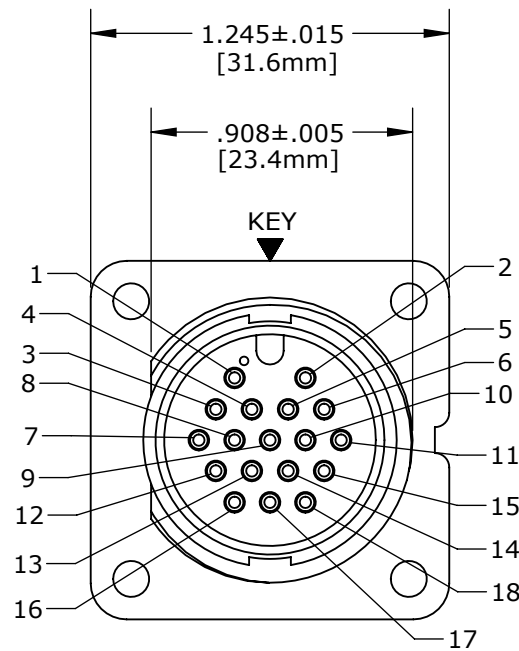
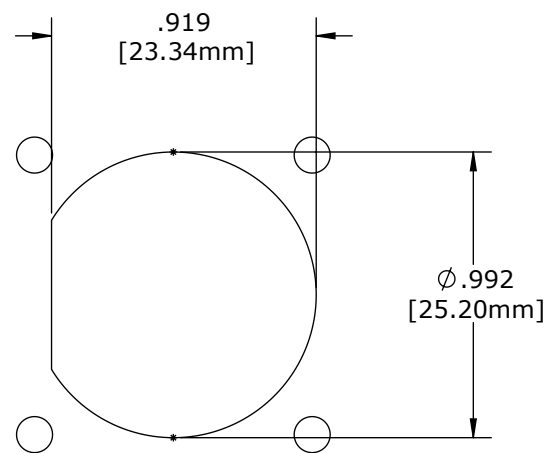
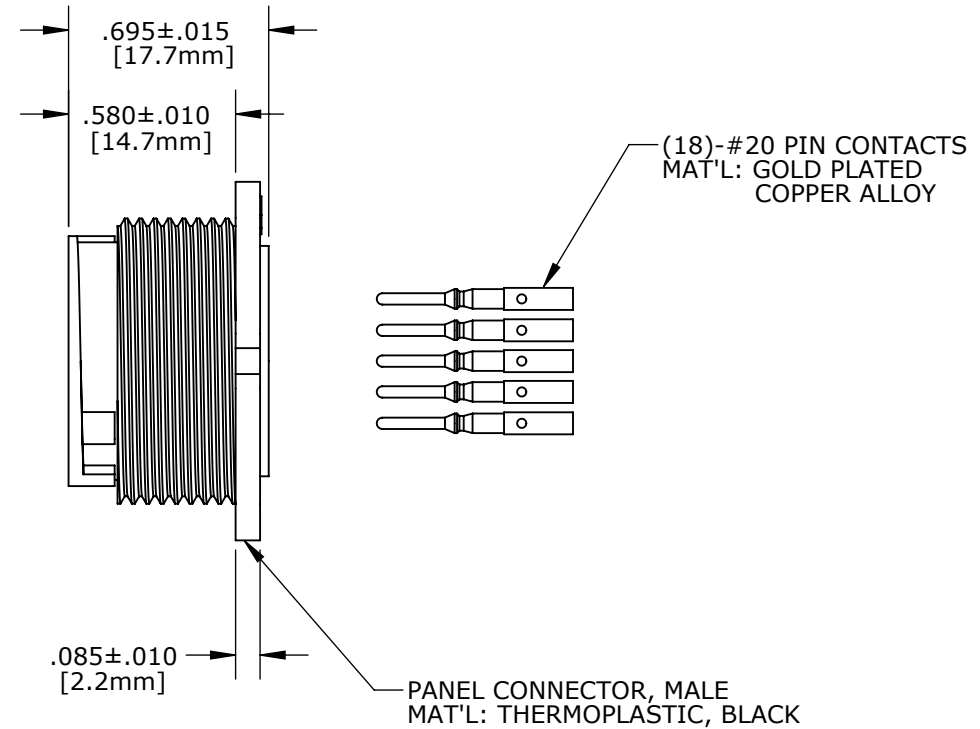
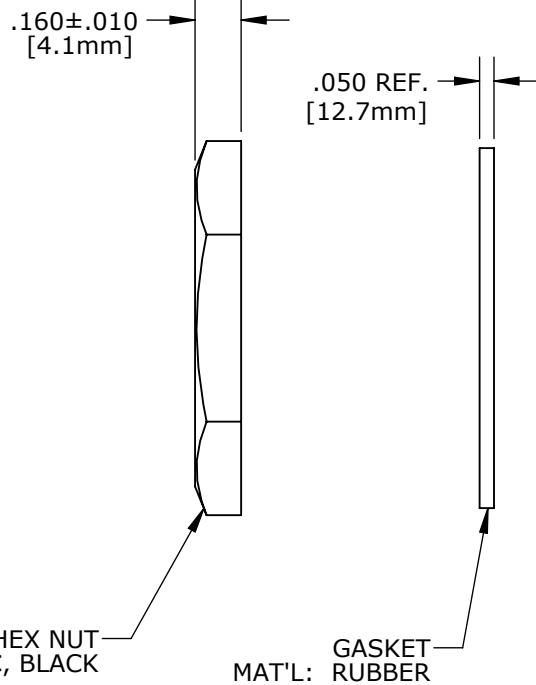


NOTES:

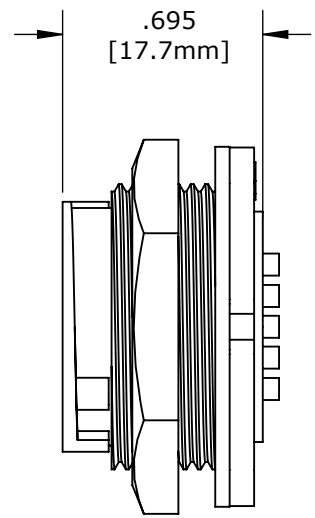
1. PARTS TO BE BULK PACKED
2. SEE DRAWING HPMXSTD FOR HOLE PATTERN



FACE VIEW



**RECOMMENDED
 PANEL CUT-OUT**
 TOLERANCE: ±.003



ASSEMBLED VIEW
 FOR CUSTOMER REFERENCE ONLY

DIMENSIONS IN BRACKET [] ARE METRIC.

CUSTOMER APPROVAL

THIS DOCUMENT CONTAINS CONFIDENTIAL INFORMATION PROPRIETARY TO CONXALL CORPORATION. ANY REPRODUCTION, DISCLOSURE, OR USE OF THIS DOCUMENT /INFORMATION IS EXPRESSLY PROHIBITED UNLESS AUTHORIZED IN WRITING BY CONXALL CORPORATION.

APPROVED BY: _____
 DATE: _____

RoHS COMPLIANT

A	AN	10-03-14	DRAWING CREATED PER DOR 14-E149SL #34	
REV.	INIT.	DATE	DESCRIPTION	
	AN	09-26-14	ORIG. DRAWN BY: _____ DATE: 09-26-14 CHECKED BY: _____ APPROVED BY: _____ TITLE: PANEL CONNECTOR KIT (18) #20 PIN CONTACTS MAXI-CON-X CUSTOMER: STANDARD PRODUCT	
ALL INFORMATION ILLUSTRATED IS THE PROPERTY OF "CONXALL CORPORATION." UNAUTHORIZED DUPLICATION OR DISTRIBUTION OF THIS DOCUMENT IS PROHIBITED.			601 E. WILDWOOD VILLA PARK, IL 60181	
ALL UNITS ARE IN FEET, INCHES, FRACTION OF INCHES AND DECIMALS.				
SCALE	SIZE	SHEET	FILE: 14280-18PG-300 DIRECTORY: SLW	
NTS	B	1 OF 1	PART NUMBER: 14280-18PG-300 REV A	