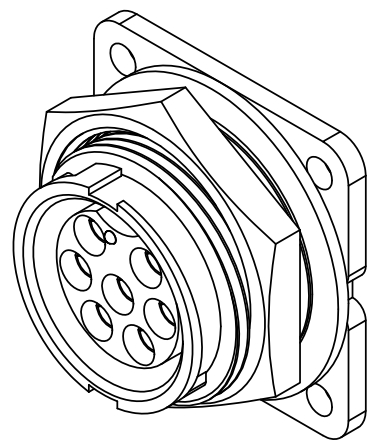
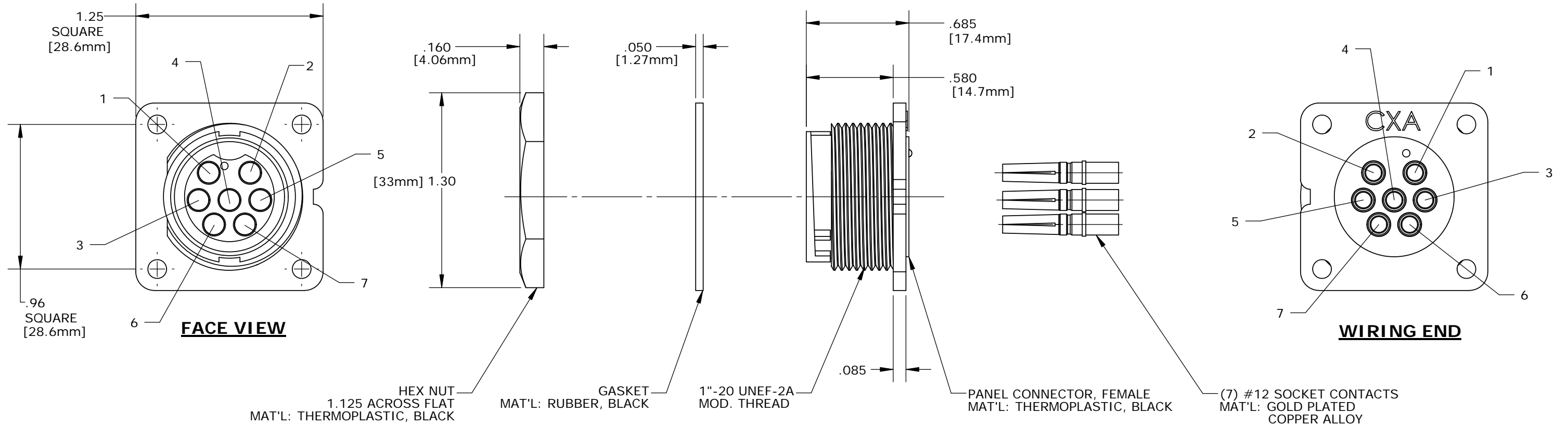
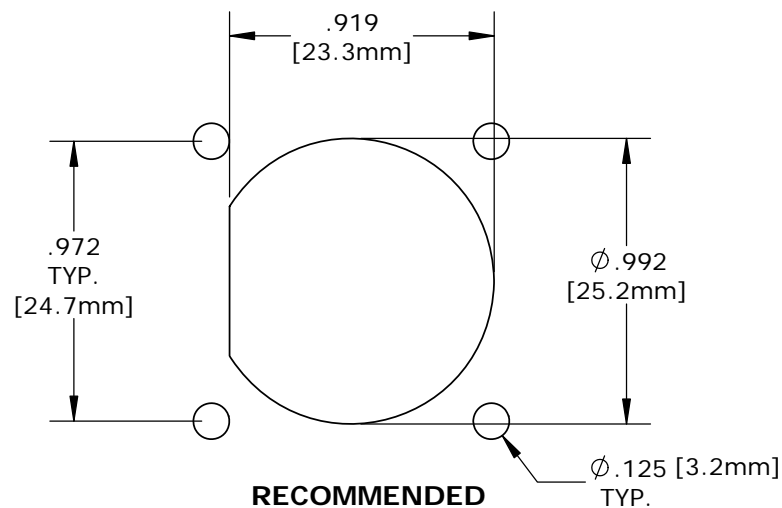


- NOTES:**
 1. PARTS TO BE BULK PACKED
 2. ALL DIMENSIONS ARE REFERENCE



SHOWN ASSEMBLY KIT
 FOR CUSTOMER REFERENCE ONLY



RECOMMENDED PANEL CUTOUT
 TOLERANCE: ±.003

DIMENSIONS IN BRACKETS [] ARE METRIC

CUSTOMER APPROVAL

THIS DOCUMENT CONTAINS CONFIDENTIAL INFORMATION PROPRIETARY TO CONXALL CORPORATION. ANY REPRODUCTION, DISCLOSURE, OR USE OF THIS DOCUMENT /INFORMATION IS EXPRESSLY PROHIBITED UNLESS AUTHORIZED IN WRITING BY CONXALL CORPORATION.

APPROVED BY: _____
 DATE: _____

A	JD	10-21-14	DRAWING CREATED PER DOR 14-E149SL(36)	
REV.	INIT.	DATE	DESCRIPTION	
	JD	10-21-14	ORIG. DRAWN BY: JD DATE: 10-21-14 CHECKED BY: APPROVED BY: TITLE: PANEL MOUNT ASSEMBLY (7) #12 SOCKET CONTACT, CRIMP MAXI-CON-X STANDARD PRODUCT CUSTOMER: STANDARD PRODUCT	
ALL INFORMATION ILLUSTRATED IS THE PROPERTY OF "CONXALL CORPORATION". UNAUTHORIZED DUPLICATION OR DISTRIBUTION OF THIS DOCUMENT IS PROHIBITED.			601 E. WILDWOOD VILLA PARK, IL 60181	
ALL UNITS ARE IN FEET, INCHES, FRACTION OF INCHES AND DECIMALS.			SCALE: NTS SIZE: B SHEET: 1 OF 1	FILE: 14180-7SG-300 DIRECTORY: SLW PART NUMBER: 14180-7SG-300
			- CRITICAL CHARACTERISTIC FLAG PER SPEC. XXXX	REV A

RoHS COMPLIANT