

MATERIALS:

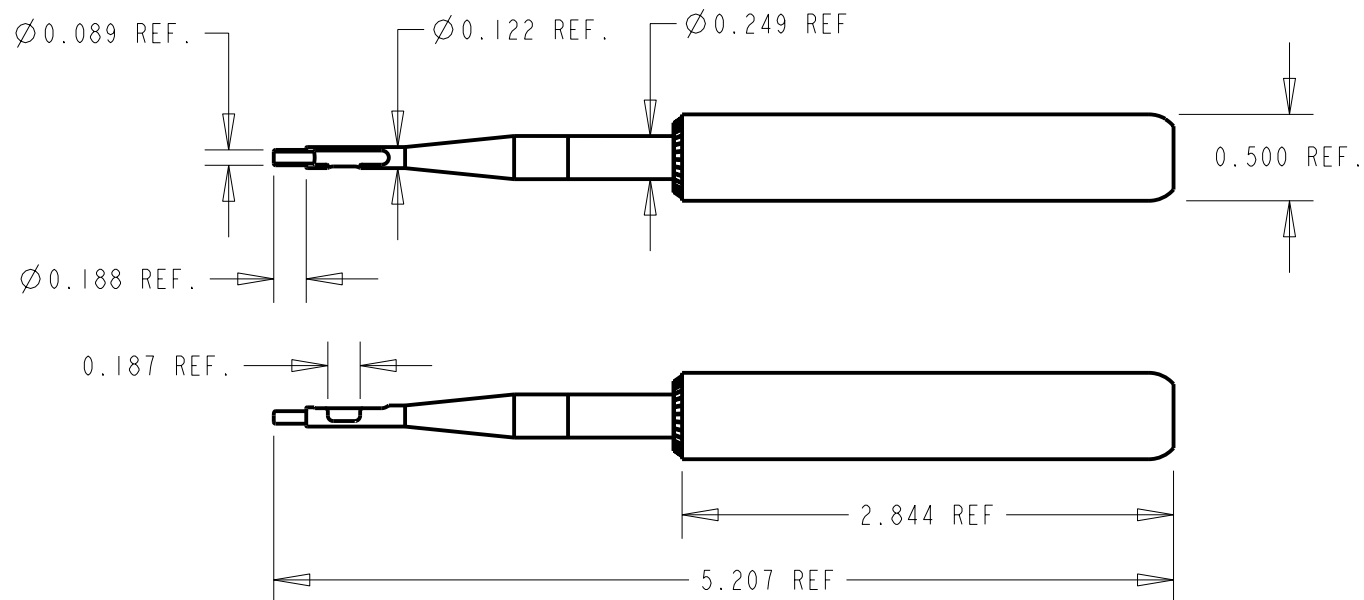
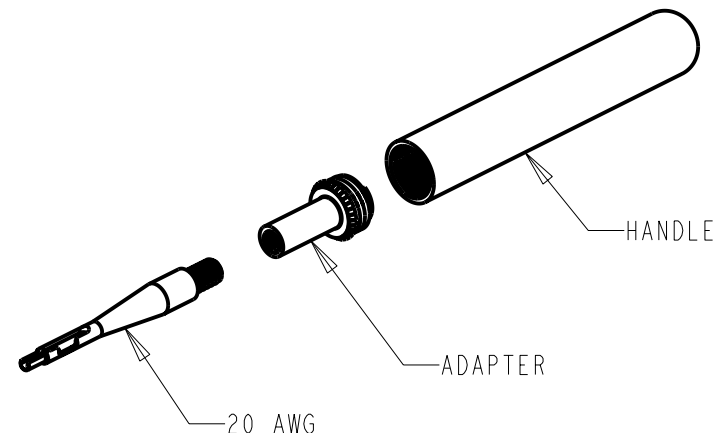
HANDLE - NYLON, BLACK COLOR.

ADAPTER - BRASS, NICKEL PLATED.

20 AWG INSERTION/EXTRACTION TOOL - STEEL, CASE HARDENED, NICKEL PLATED.

NOTES:

- TOOL FOR EN3 MINI WEATHERTIGHT CONNECTOR "CRIMP VERSION".
- SEE IN2026 FOR INSTRUCTION TO USE THIS TOOL.



CUSTOMER DRAWING

★ STAR SYMBOL DENOTES CRITICAL DIMENSION

THIS DRAWING DESCRIBES A DESIGN CONSIDERED PROPRIETARY IN NATURE, DEVELOPED AND MANUFACTURED BY SWITCHCRAFT INC. AND IS RELEASED ON A CONFIDENTIAL BASIS FOR IDENTIFICATION PURPOSES ONLY.

UNLESS OTHERWISE SPECIFIED

- ALL DIMENSIONS IN INCHES  
 - TWO PLACE DECIMALS ±0.01  
 - THREE PLACE DECIMALS ±0.005  
 - FRACTIONAL DIMENSIONS ±1/64  
 - ANGLES ±1°  
 - ALL DIA. CONCENTRIC WITHIN 0.005 T.I.R.

2. FEATURES ON THE SAME CENTERLINE MUST BE ALIGNED WITHIN ±0.002

3. REMOVE ALL BURRS

DO NOT SCALE DRAWING

SIZE	WIDTH	MULT	LBS/M	TEMPER
------	-------	------	-------	--------

FINISH	MATERIAL
SPEC No.	SPEC No.

FIRST USED ON	SCALE
	9:10

DATE DRAWN	BY	CHKD	APVD	<b>Switchcraft®</b>
23-Jun-96	CCB	RB 7-3-96	RB 7-5-96	
SHEET   OF				

NAME	PART No.	REV
#20 AWG INSERTION/ EXTRACTION TOOL ASSY.	EN3INS20	A

REV	ECO NUMBER	DATE	BY	APVD
A	RELEASED TO MFG. ECO #20914	6-23-96	CCB	RB
REVISIONS				

Pro/Engineer CAD File



ROUTING

