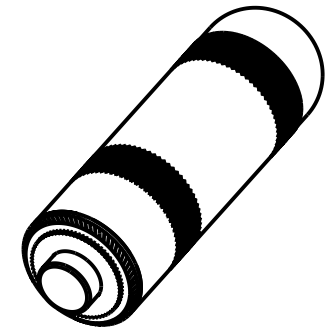
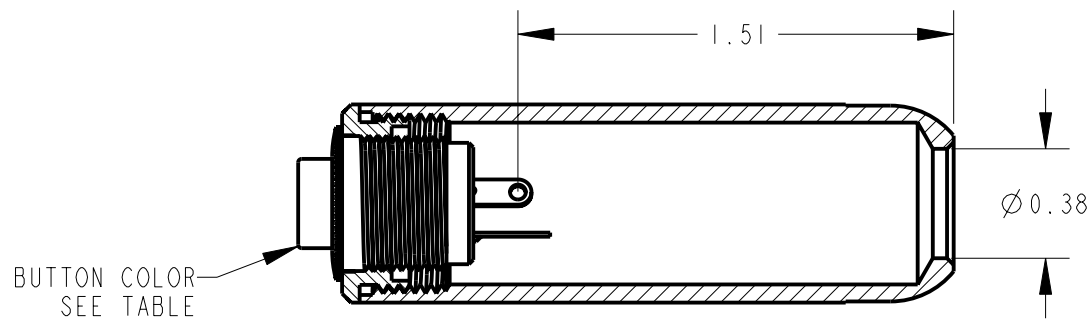


PART NUMBER	BUTTON COLOR
E903	RED
E913	BLACK

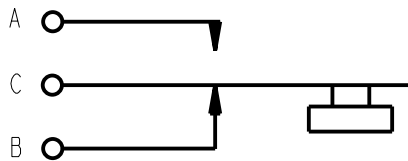


SECTION A-A

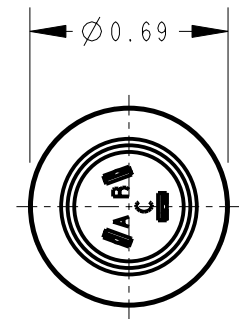
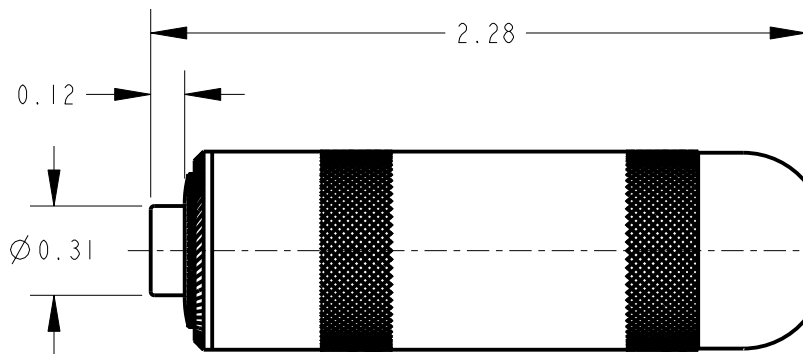
NOTES:

- MATERIALS:
 PUSHBUTTON - THERMOPLASTIC, SEE TABLE FOR COLOR
 SWITCH HOUSING & ADAPTER - COPPER ALLOY, NICKEL PLATED
 SWITCH TERMINALS - COPPER ALLOY, SILVER PLATED
 SWITCH SPRING - STAINLESS STEEL
 SWITCH INSULATORS - PHENOLIC
 HANDLE - COPPER ALLOY, NICKEL PLATED

2. THESE PRODUCTS ARE RoHS COMPLIANT.



SCHEMATIC



CUSTOMER DRAWING

					★ STAR SYMBOL DENOTES CRITICAL DIMENSION	THIS DRAWING DESCRIBES A DESIGN CONSIDERED PROPRIETARY IN NATURE, DEVELOPED AND MANUFACTURED BY SWITCHCRAFT INC. AND IS RELEASED ON A CONFIDENTIAL BASIS FOR IDENTIFICATION PURPOSES ONLY.						
					UNLESS OTHERWISE SPECIFIED	SIZE	WIDTH	MULT	LBS/M	TEMPER		
					1. ALL DIMENSIONS IN INCHES - TWO PLACE DECIMALS ±0.01 - THREE PLACE DECIMALS ±0.005 - ANGLES ±1° - ALL DIA. CONCENTRIC WITHIN 0.005 T.I.R.	FINISH		MATERIAL				
					2. FEATURES ON THE SAME CENTERLINE MUST BE ALIGNED WITHIN ±0.002	SPEC No.		SPEC No.				
					3. REMOVE ALL BURRS	FIRST USED ON		SCALE		Switchcraft®		
						DATE DRAWN	BY	CHKD	APVD			
E	21131	3-18-13	TO	TJK		18-Mar-13	TO	TO	TJK	SHEET OF		
REV	ECO NUMBER	DATE	BY	APVD						PART No.		
REVISIONS					DO NOT SCALE DRAWING	CORD SWITCH, RoHS					E903_E913	REV E