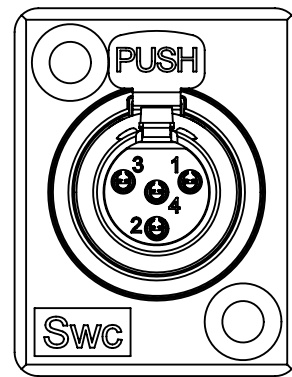
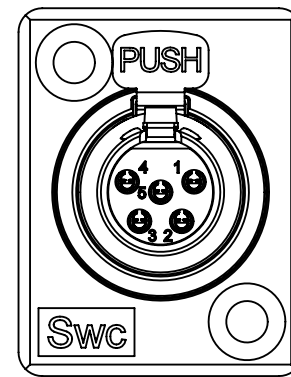


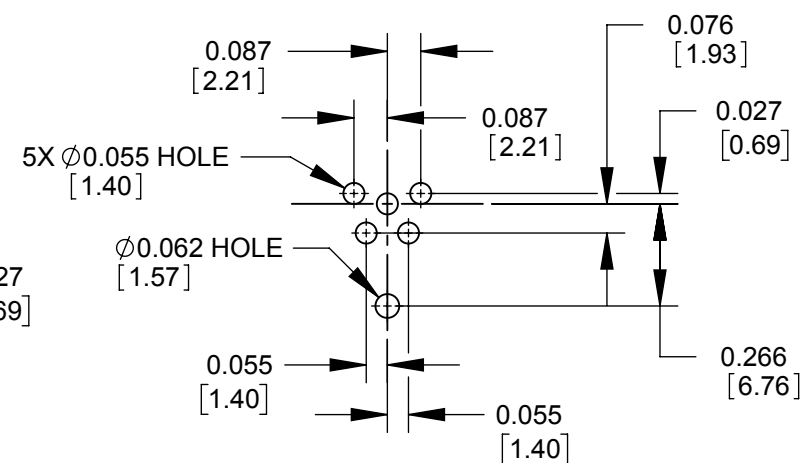
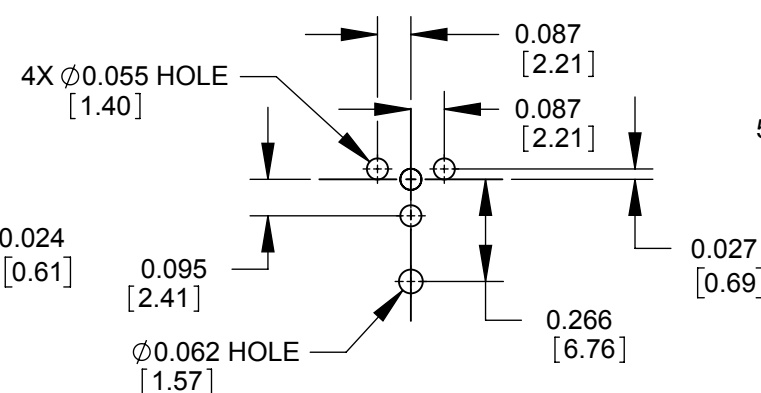
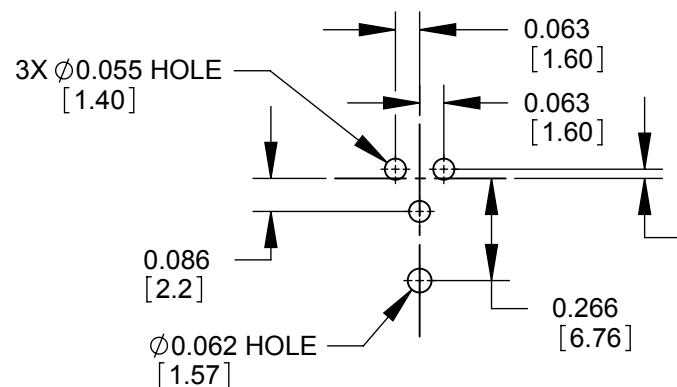
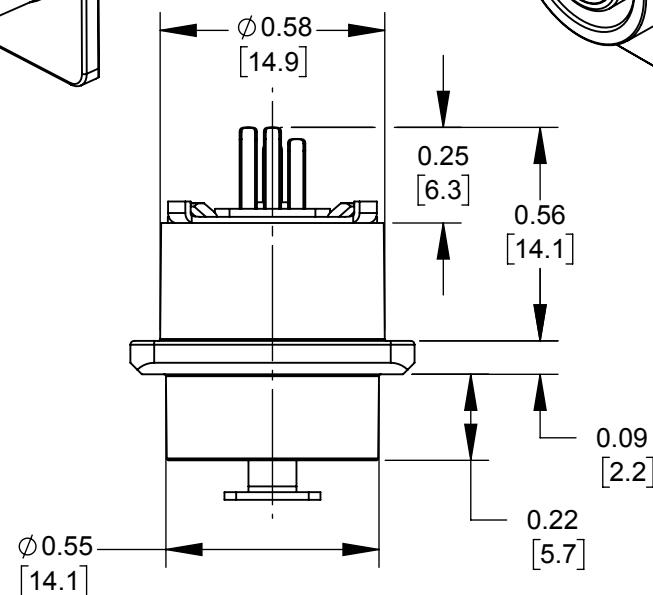
TY3FPC
3 PIN



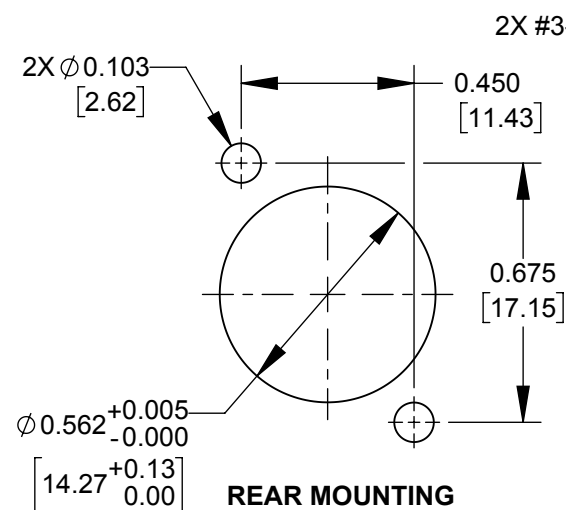
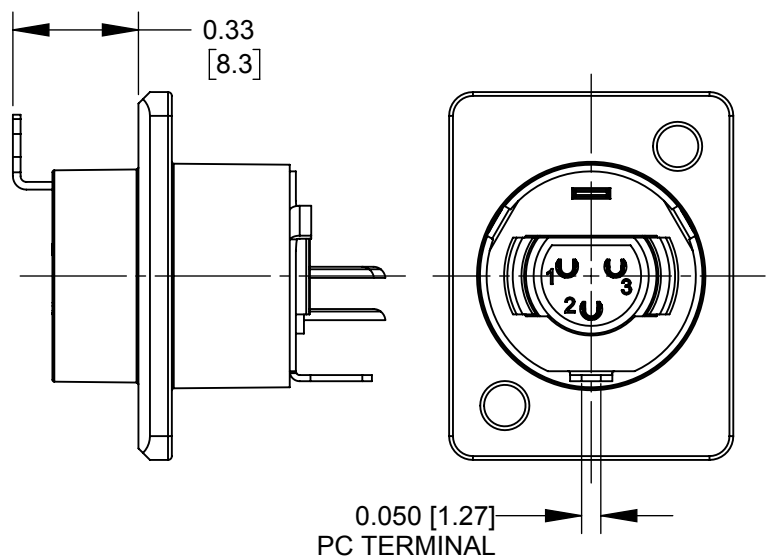
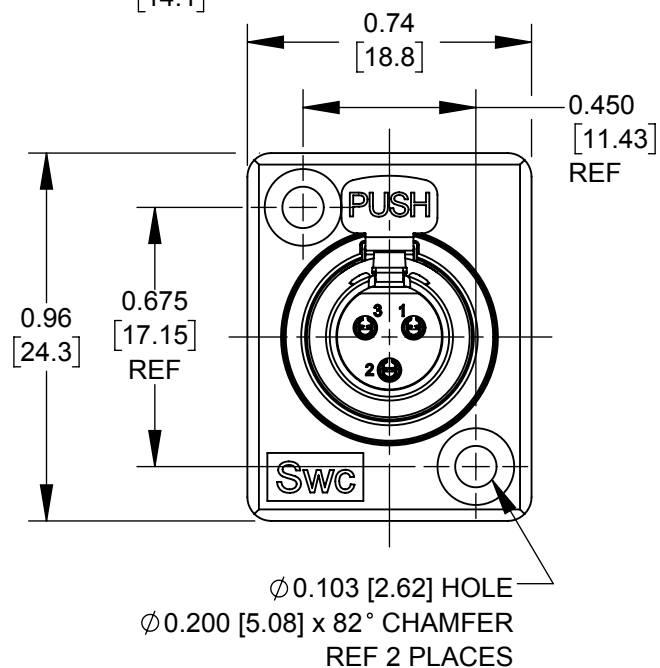
TY4FPC
4 PIN



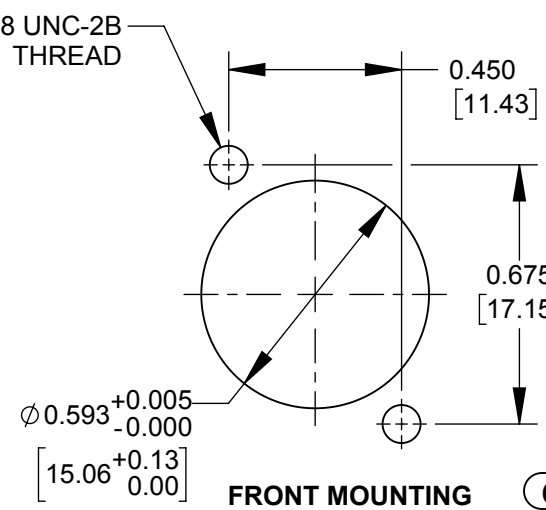
TY5FPC
5 PIN



RECOMMENDED PCB LAYOUT



REAR MOUNTING



FRONT MOUNTING

CUSTOMER DRAWING

NOTES:

1. MATERIALS:

- MOUNTING PLATE - ZINC ALLOY, NICKEL PLATED
- CONNECTOR HOUSING - COPPER ALLOY, NICKEL PLATED
- FRONT AND REAR INSERTS - THERMOPLASTIC, BROWN
- CONTACT PINS - COPPER ALLOY, SILVER PLATED
- LOCK RING - COPPER ALLOY, TIN PLATED
- LATCH - COPPER ALLOY, NICKEL PLATED
- RELEASE LEVER - STEEL, NICKEL PLATED
- LEVER RETURN SPRING, STAINLESS STEEL

2. THIS PRODUCT IS RoHS COMPLIANT.

REV	ECO NUMBER	DATE	BY	APVD
F	REDRAWN 26739	04-06-11	PC	TJK
REVISIONS				

UNLESS OTHERWISE SPECIFIED

- 1. ALL DIMENSIONS IN INCHES [mm]
- TWO PLACE DECIMALS ±0.02 [0.5]
- THREE PLACE DECIMALS ±0.005 [0.13]

DO NOT SCALE DRAWING

THIS DRAWING DESCRIBES A DESIGN CONSIDERED PROPRIETARY IN NATURE, DEVELOPED AND MANUFACTURED BY SWITCHCRAFT INC. AND IS RELEASED ON A CONFIDENTIAL BASIS FOR IDENTIFICATION PURPOSES ONLY.

SIZE	WIDTH	MULT	LBS/M	TEMPER
FINISH			MATERIAL	
SPEC No.			SPEC No.	
FIRST USED ON		SCALE 2:1		
DATE DRAWN	BY	CHKD	APVD	
3-30-95	SG	SG	GHJ	
		5-1-95	5-1-95	
NAME			PART No.	REV
TINI QG SERIES, RoHS			TY_FPC_SERIES	F
SHEET 1 OF 1				