

Professional Termination Punch Tool For use with Switchcraft tip PT2B

Operating Instructions

Installing the blade tip:

1. Insert the assembled adapter and blade tool tip into the top of the tool as seen in Figure 1.
2. Rotate the blade clockwise until it falls in and snaps (locks) into place.

Attaching the Light:

1. Refer to Figure 1 and Figure 2.
2. Ensure the lock clip on the light module is in the up position as shown in Figure 2 "UNLOCKED" drawing.
3. Slide the light onto the mounting clip located on the bottom side of the tool as shown in Figure 1.
4. Press down on the lock clip to lock the light onto the mount as shown in Figure 2 "LOCKED" drawing.
5. To remove the light, lift the lock clip up and slide the light off the tool.

Installing or Replacing the Batteries in the Light:

1. Refer to Figure 2.
2. Ensure the lock clip on the light module is in the "UNLOCKED" position.
3. Rotate the back of the light module counter-clockwise. Pull the back off the module.
4. Install the batteries in the module in the direction shown in Figure 2. (Batteries used: Three LR44)

Turning Light ON and OFF:

1. Push the light switch back to turn light OFF, and forward to turn the light ON.

Pick, Wire Hook, and Spudger Applications:

1. Refer to Figure 3.
2. Use the Wire Hook to loop wires and feed through small access holes.
3. Use the Pick (sharpened tooth) to split bonded pairs, strip insulation off wires, pick debris from contacts, and slit the outer jacket off cables.
4. Use the spudger tip to scrape wire debris from IDC pins, or use as a screwdriver.

Termination Instructions

1. Refer to Figure 4.
2. Press to hold stranded or solid 22, 24, or 26 AWG wire into Switchcraft PPT IDC terminal.
3. Line up and insert PT2B tip blade into PPT pin.
4. Depress the tool handle until the impact mechanism punches down and terminates the wire into the contact. Verify the wire is fully seated.
5. Set "LO" for 24 and 26 AWG wires. Try the "HI" setting for 22 AWG wires.

Switchcraft, Inc.
5555 North Elston Avenue
Chicago, IL 60630
Tel 773.792.2700
Fax 773.792.2129
www.switchcraft.com

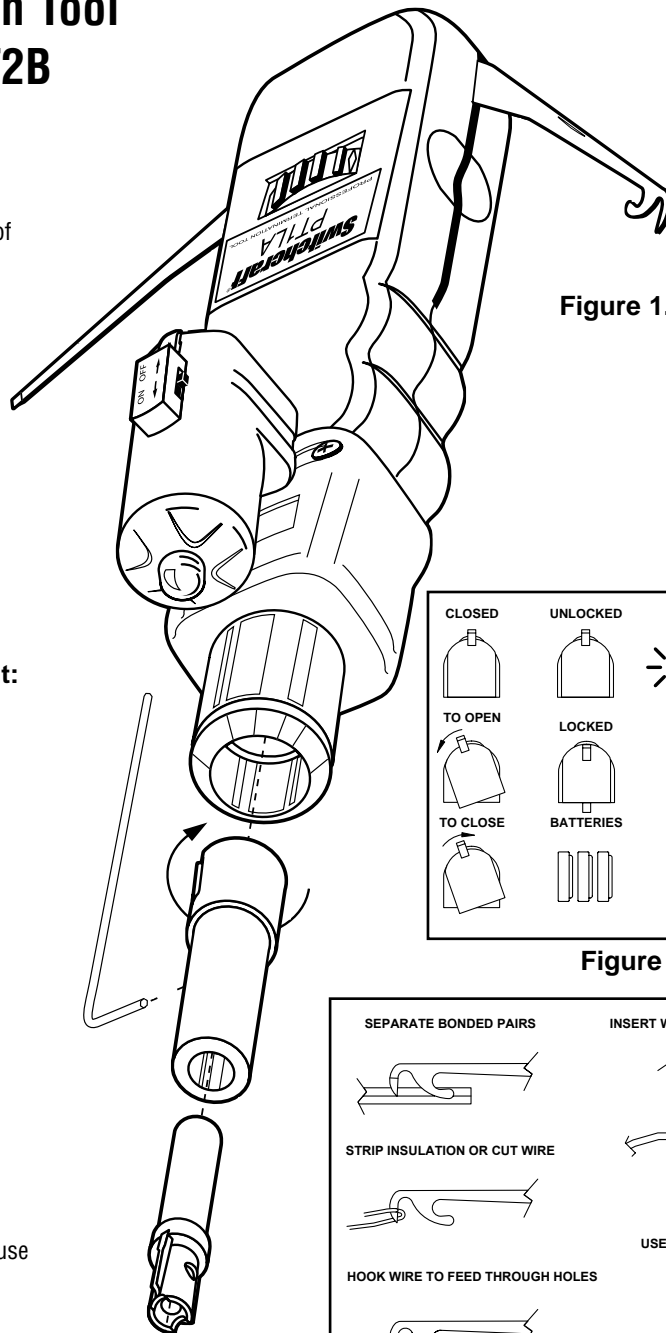


Figure 1.

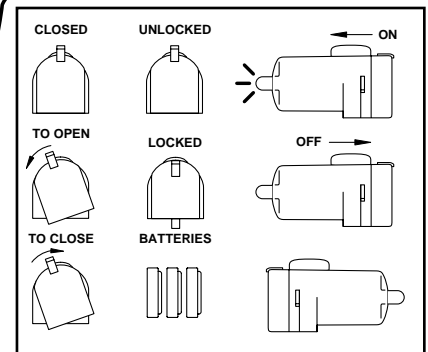


Figure 2

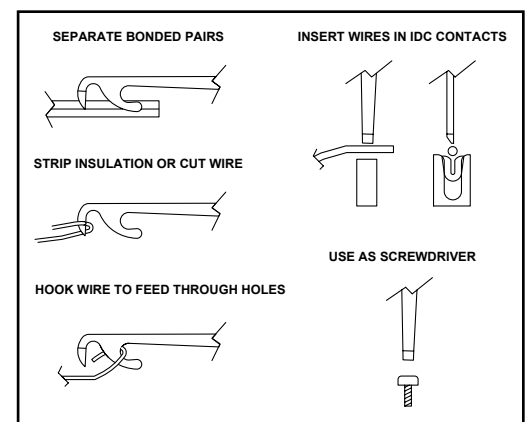
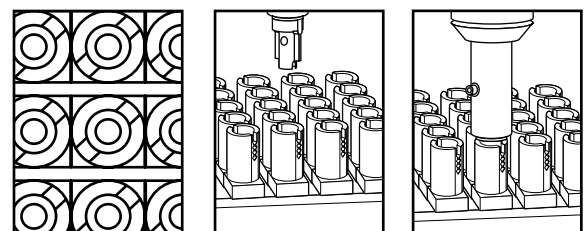


Figure 3.



Top View
of PPT

Figure 4.