

FIGURE 1
RECOMMENDED PANEL CUT-OUT

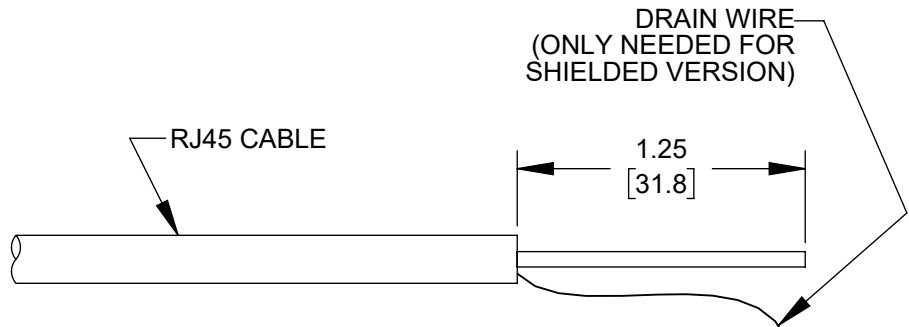


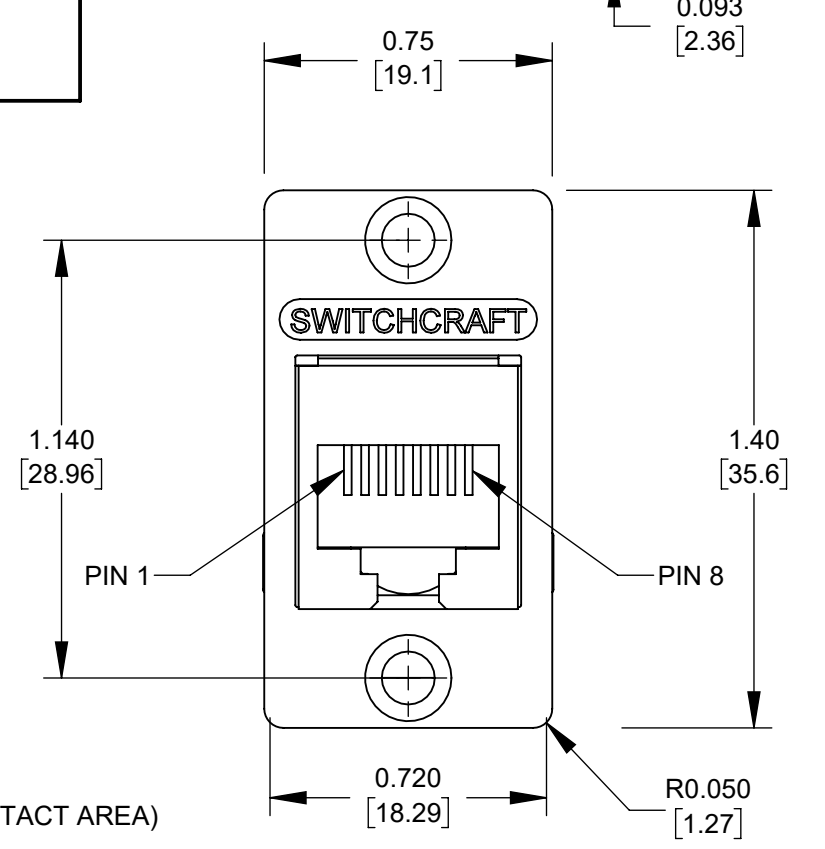
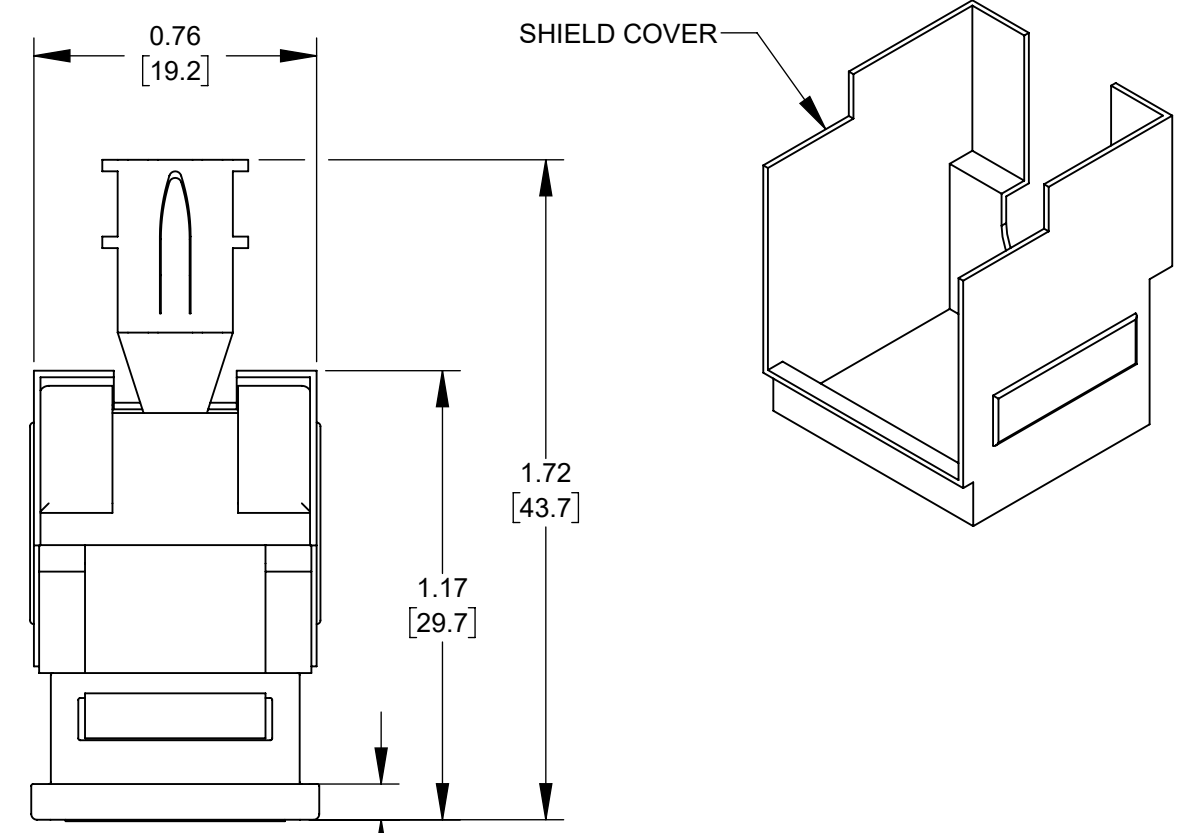
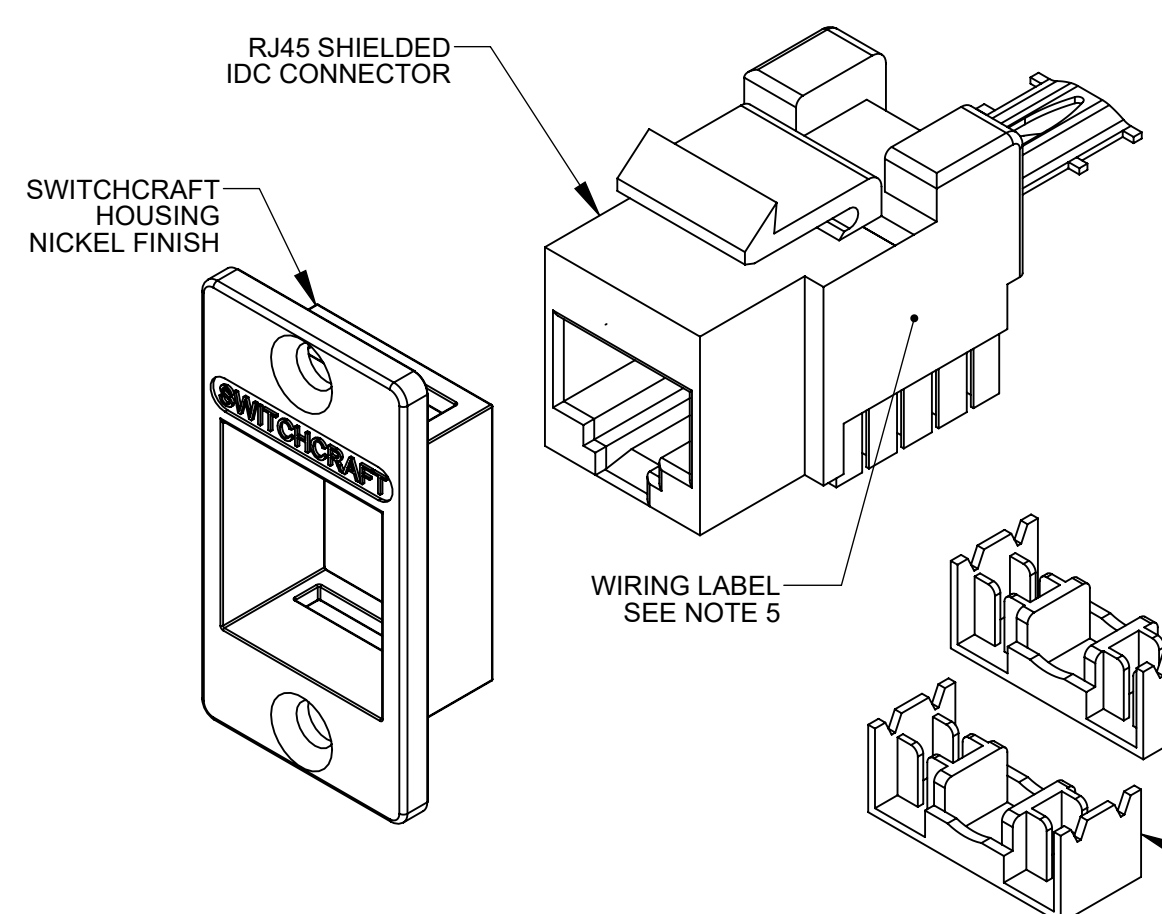
FIGURE 2
RECOMMENDED CABLE STRIPPING DETAIL
TYPICAL FOR ALL BREAKOUTS
SEE NOTE 4

ASSEMBLY INSTRUCTIONS:

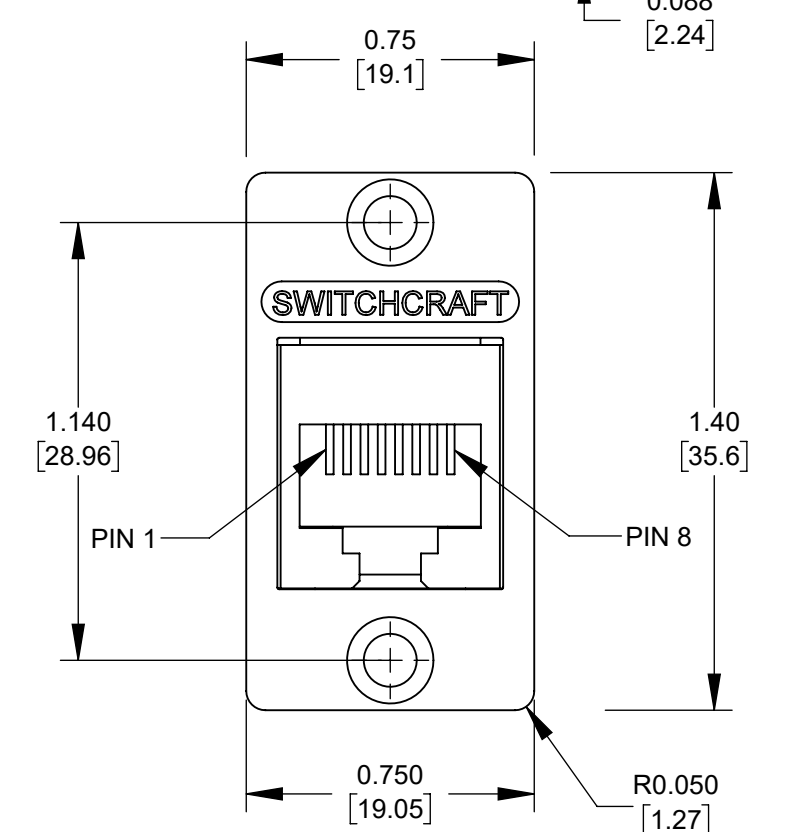
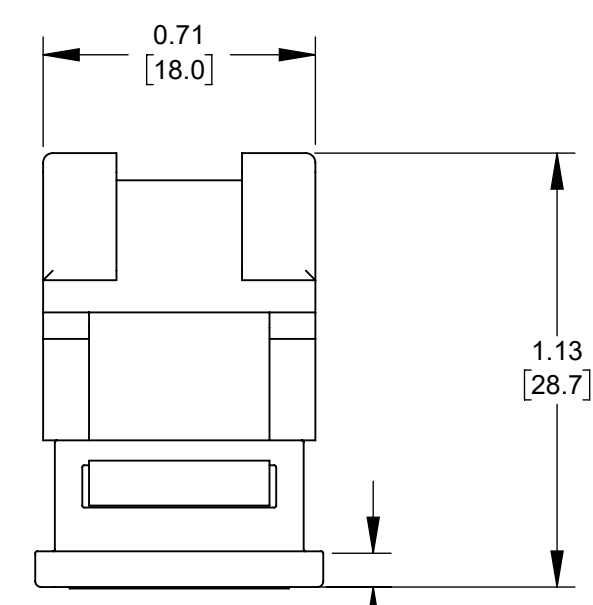
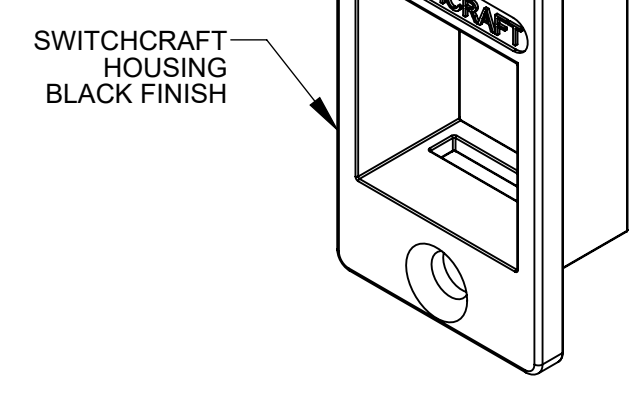
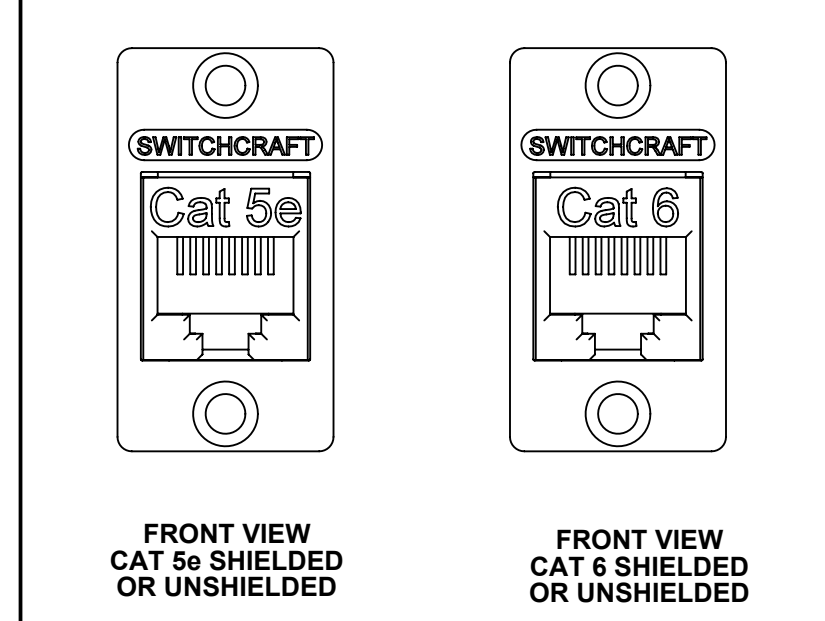
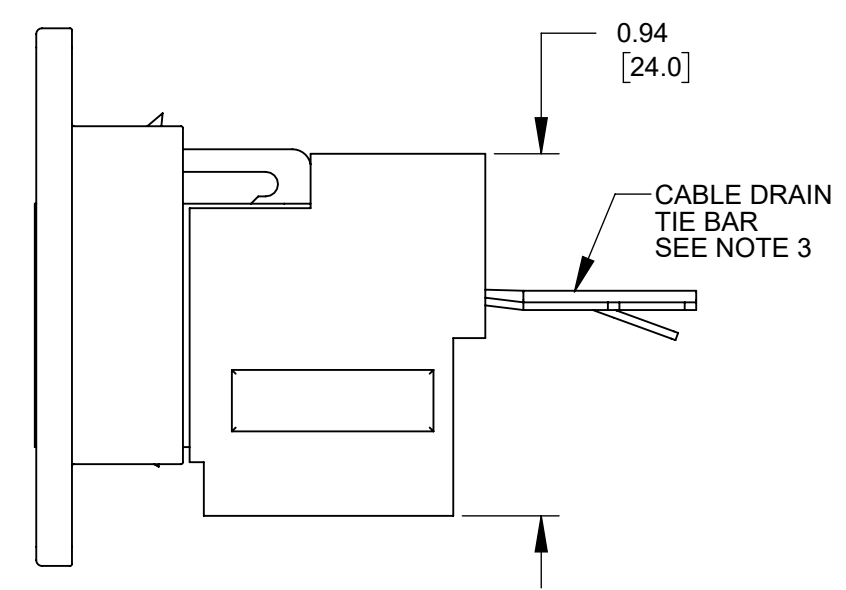
- INSTALL THE CABLE CONDUCTORS INTO THE RJ45 IDC CONNECTOR. SEE NOTE 5 AND FIGURE 2.
- TERMINATE THE CABLE USING A KRONE/110 PUNCHDOWN TOOL.
- (FOR SHIELDED VERSION)** WRAP THE DRAIN WIRE AROUND THE CABLE DRAIN TIE BAR. USE THE CABLE TIE (NOT SHOWN) TO SECURE THE CABLE TO THE BAR.
- SNAP THE IDC CAPS OVER THE IDC BLOCK.
- (FOR SHIELDED VERSION)** SLIDE THE SHIELDED COVER INTO PLACE.
- ASSEMBLE THE SWITCHCRAFT HOUSING ONTO THE FRONT OF THE PANEL USING THE RECOMMENDED PANEL CUT-OUT. SEE FIGURE 1.
- SNAP THE RJ45 IDC CONNECTOR INTO THE SWITCHCRAFT HOUSING FROM THE BACK OF THE PANEL.

PART NUMBER	RJ45 IDC CONNECTOR
NHRJ45D5ESIDC	CAT5e SHIELDED
NHRJ45D5EIDC	CAT5e UNSHIELDED
NHRJ45D6SIDC	CAT6 SHIELDED
NHRJ45D6IDC	CAT6 UNSHIELDED

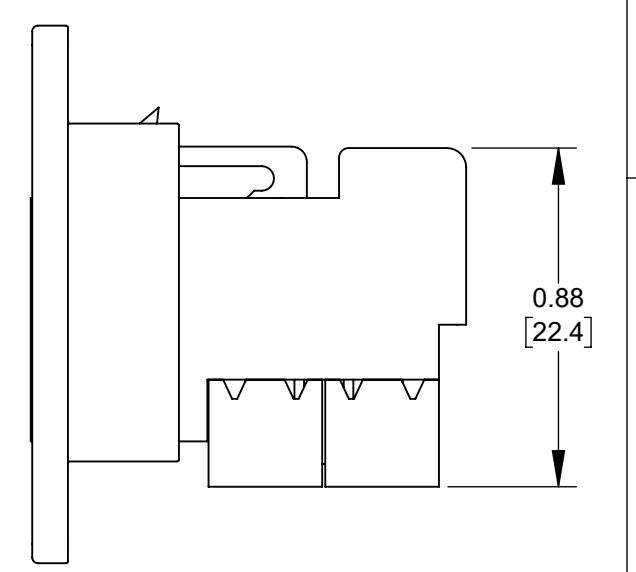
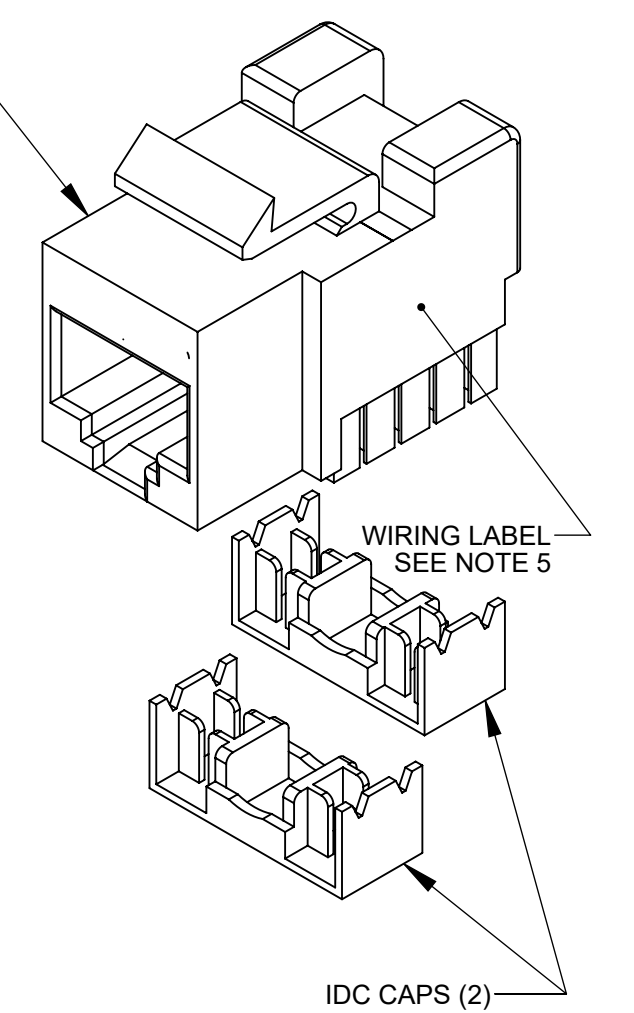
- NOTES:**
- THE RJ45 CAT 5e AND CAT 6 IDC CONNECTORS MEET TIA/EIA 568 B.2 STANDARD.
 - MATERIALS:**
 SWITCHCRAFT HOUSING - ZINC ALLOY.
 RJ45 IDC CONNECTOR
 INSULATOR BODY- THERMOPLASTIC, BLACK
 CONTACTS- COPPER ALLOY, GOLD PLATED (CONTACT AREA)
 IDC TERMINALS- COPPER ALLOY, TIN PLATED
 IDC CAPS- THERMOPLASTIC, WHITE
(SHIELDED VERSION ONLY)
 SHIELD- COPPER ALLOY, NICKEL PLATED
 DRAIN WIRE TIE BAR - COPPER ALLOY, NICKEL PLATED
 - (SHIELDED VERSION ONLY)** FOR SHIELDING, TIE SHIELD/DRAIN WIRE TO THE TIE BAR AND SECURE WITH CABLE TIE PROVIDED (NOT SHOWN).
 - 22-26 AWG STRANDED OR SOLID WIRE IS RECOMMENDED.
 - THE RJ45 CONNECTOR CONTAINS A WIRING LABEL FOR T568A & T568B WIRING.
 - THIS ASSEMBLY IS RoHS COMPLIANT.



SHEILED RJ45



UNSHIELDED RJ45



CUSTOMER DRAWING

UNLESS OTHERWISE SPECIFIED					THIS DRAWING DESCRIBES A DESIGN CONSIDERED PROPRIETARY IN NATURE, DEVELOPED AND MANUFACTURED BY SWITCHCRAFT INC. AND IS RELEASED ON A CONFIDENTIAL BASIS FOR IDENTIFICATION PURPOSES ONLY.				
SIZE	WIDTH	MULT	LBS/M	TEMPER	FINISH	MATERIAL			
1. ALL DIMENSIONS IN INCHES [mm]					SPEC No.				
- TWO PLACE DECIMALS ±0.02 [0.5]					FIRST USED ON				
- THREE PLACE DECIMALS ±0.005 [0.13]					SCALE 2:1				
DATE DRAWN	BY	CHKD	NS	APVD					
7/30/21	NS	7/30/21	7/30/21	7/30/21					
DO NOT SCALE DRAWING					SHEET 1 OF 1				
NAME					PART No.				
NH SERIES RJ45 RA IDC, RoHS					NHRJ45D_IDC_SERIES				
REVISIONS					REV				
OA	P-21002A-1	7/30/21	NS	SRC	0A				