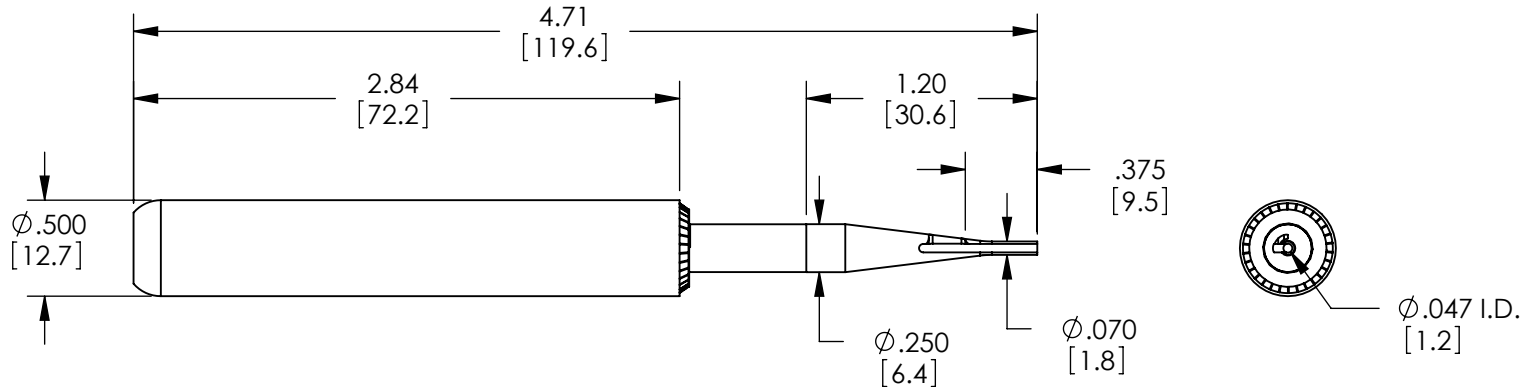
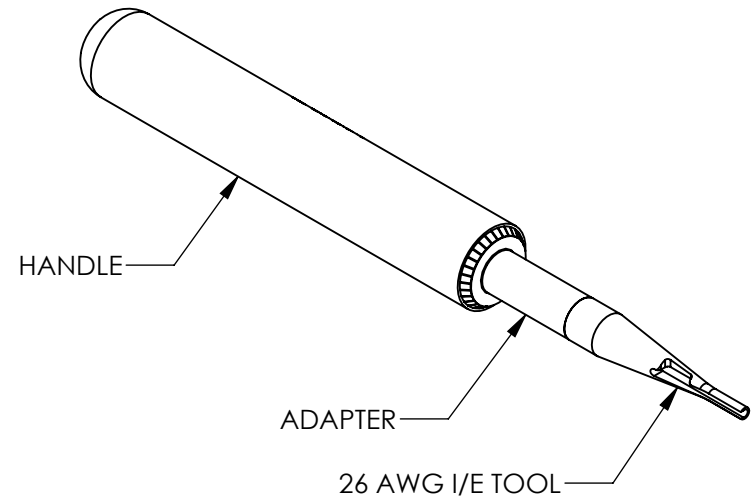


**NOTES:**

1. TOOL FOR EN3 MINI WEATHERTIGHT CONNECTOR 26 AWG "CRIMP VERSION".
2. SEE IN2027 FOR INSTRUCTIONS TO USE THIS TOOL.
3. TOOL MATERIAL:  
HANDLE - THERMOPLASTIC, BLACK COLOR  
ADAPTER - BRASS, NICKEL PLATED.  
26 AWG I/E TOOL - STEEL, CASE HARDENED, NICKEL PLATED.
4. ALL DIMENSIONS ARE FOR REFERENCE ONLY.
5. THIS PRODUCT IS RoHS COMPLIANT.



**CUSTOMER DRAWING**

					THIS DRAWING DESCRIBES A DESIGN CONSIDERED PROPRIETARY IN NATURE, DEVELOPED AND MANUFACTURED BY SWITCHCRAFT INC. AND IS RELEASED ON A CONFIDENTIAL BASIS FOR IDENTIFICATION PURPOSES ONLY.						
					SIZE *	WIDTH *	MULT *	LBS/M *	TEMPER *		
					FINISH (SEE NOTES)			MATERIAL (SEE NOTES)			
					SPEC No. *			SPEC No. *			
					FIRST USED ON *		SCALE 1:1				
					DATE DRAWN	BY	CHKD	APVD			
					10-30-06	PNK	PNK	SRC			
							05-28-08	05-28-08			
										SHEET 1 OF 1	
A	ECO# 25878	05-28-08	PNK	SRC	NAME INSERTION/EXTRACTION TOOL 26 AWG CRIMP CONTACT, RoHS					PART No. EN3INS26	REV A
REV	ECO NUMBER	DATE	BY	APVD	DO NOT SCALE DRAWING						
REVISIONS											