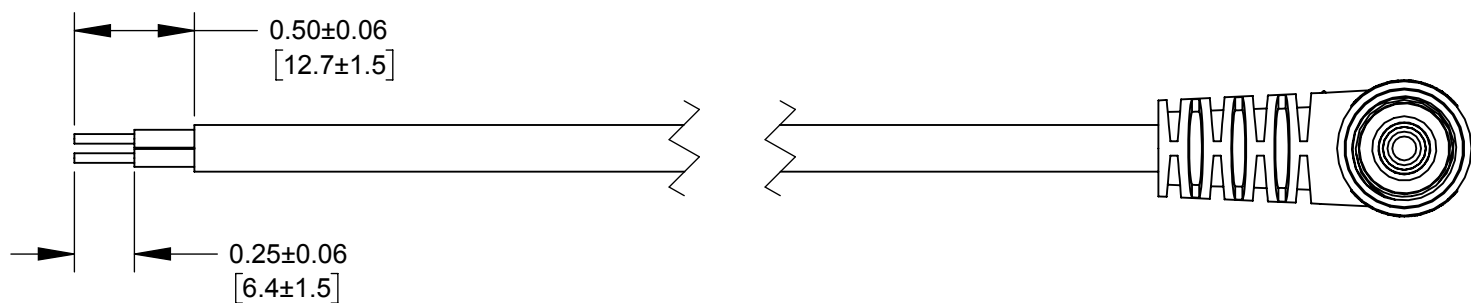
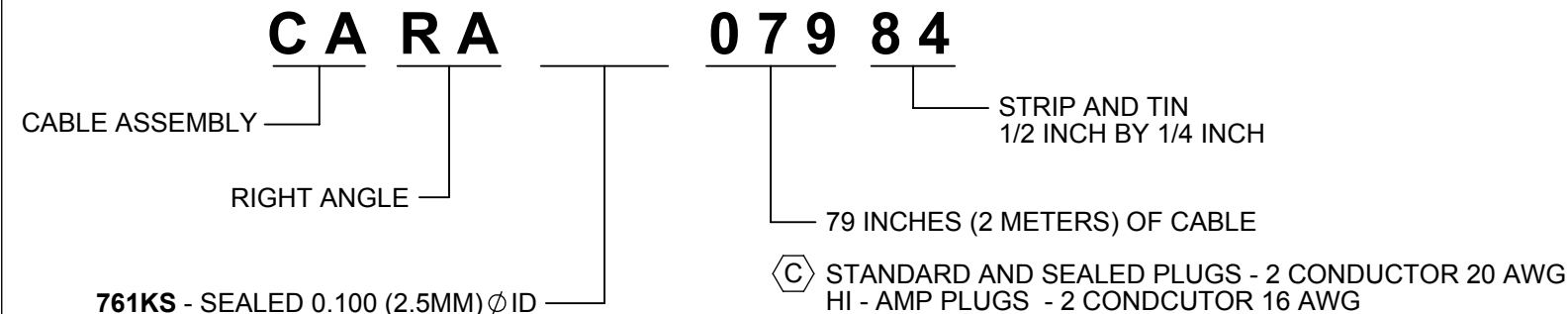


**STRIP AND TIN**



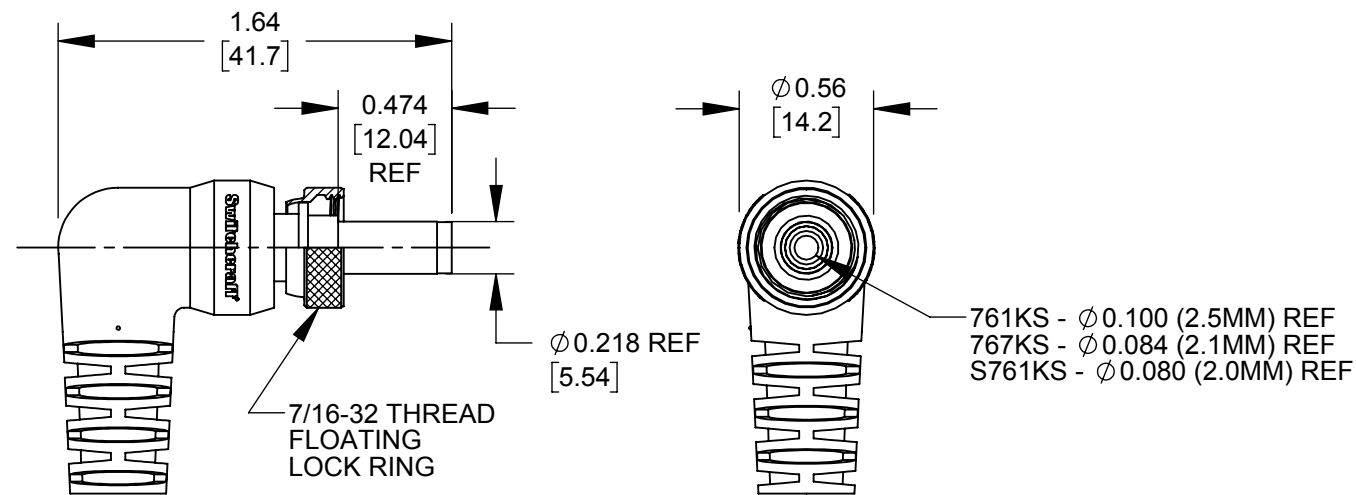
| WIRING TABLE |            |
|--------------|------------|
| POWER PLUG   | WIRE COLOR |
| TIP          | RED        |
| SLEEVE       | BLACK      |



- 761KS - SEALED 0.100 (2.5MM)  $\phi$  ID
- 767KS - SEALED 0.084 (2.1MM)  $\phi$  ID
- S761KS - SEALED 0.080 (2.0MM)  $\phi$  ID
- S10KS - HI AMP - SEALED 0.080(2.0MM)  $\phi$  ID
- S10 - HI AMP NON-SEALED - 0.080(2.0MM)  $\phi$  ID NON-LOCKING
- 760 - DC POWER PLUG 0.100 (2.5MM)  $\phi$  ID NON-LOCKING
- 762 - DC POWER PLUG 0.084 (2.1MM)  $\phi$  ID NON-LOCKING
- S760 - DC POWER PLUG 0.080 (2.0MM)  $\phi$  ID NON-LOCKING
- 760K - DC POWER PLUG 0.100 (2.5MM)  $\phi$  ID LOCKING
- 761K - DC POWER PLUG 0.100 (2.5MM)  $\phi$  ID LOCKING
- 762K - DC POWER PLUG 0.084 (2.1MM)  $\phi$  ID LOCKING
- 767K - DC POWER PLUG 0.084 (2.1MM)  $\phi$  ID LOCKING
- S760K - DC POWER PLUG 0.080 (2.0MM)  $\phi$  ID LOCKING
- S761K - DC POWER PLUG 0.080 (2.0MM)  $\phi$  ID LOCKING

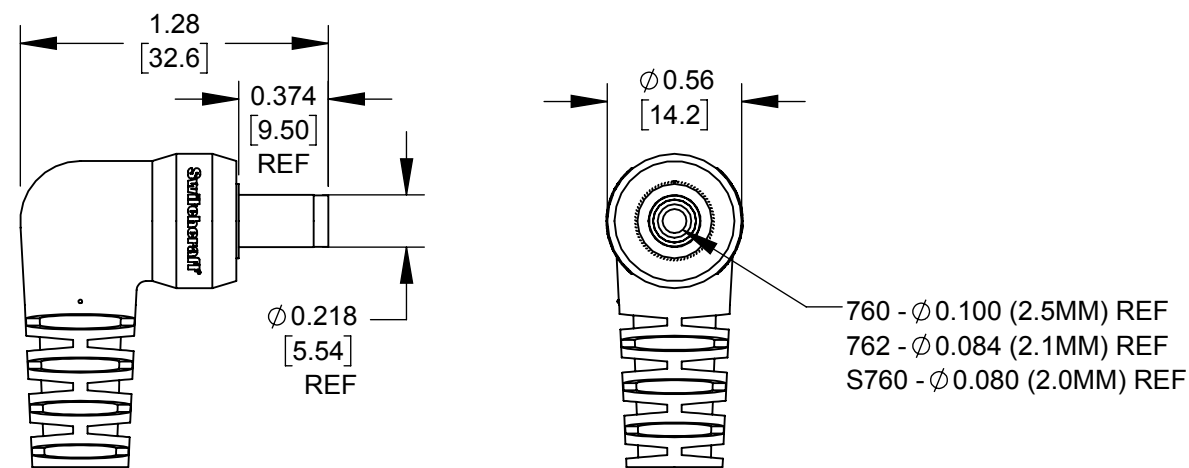
**CUSTOMER DRAWING**

|           |            |          |     |      |  |               |        |       |  |              |   |
|-----------|------------|----------|-----|------|--|---------------|--------|-------|--|--------------|---|
|           |            |          |     |      | THIS DRAWING DESCRIBES A DESIGN CONSIDERED PROPRIETARY IN NATURE, DEVELOPED AND MANUFACTURED BY SWITCHCRAFT INC. AND IS RELEASED ON A CONFIDENTIAL BASIS FOR IDENTIFICATION PURPOSES ONLY. |               |        |       |  |              |   |
|           |            |          |     |      | UNLESS OTHERWISE SPECIFIED   | SIZE          | WIDTH  | MULT  | LBS/M  | TEMPER       |   |
|           |            |          |     |      | 1. ALL DIMENSIONS IN INCHES [mm]   | FINISH        |        |       |  | MATERIAL     |   |
|           |            |          |     |      | - TWO PLACE DECIMALS $\pm 0.02$ [0.5]  | SPEC No.      |        |       |  | SPEC No.     |   |
|           |            |          |     |      | - THREE PLACE DECIMALS $\pm 0.005$ [0.13]  | FIRST USED ON |        | SCALE |  | Switchcraft® |   |
| C         | 27930      | 08-17-17 | PC  | TJK  |  |               | 1.25:1 |       |  |              |   |
| B         | 27615      | 11-30-15 | TO  | TJK  | DATE DRAWN   | BY            | CHKD   | APVD  | SHEET 1 OF 2   |              |   |
| A         | 27477      | 4/2/15   | TJK | TJK  | 3/19/15  | AB            | AB     | TJK   | PART No. CABLE ASSEMBLY - MOLDED RIGHT ANGLE POWER PLUGS, RoHS |              |   |
| REV       | ECO NUMBER | DATE     | BY  | APVD | DO NOT SCALE DRAWING   |               |        |       |  | REV          |   |
| REVISIONS |            |          |     |      |  |               |        |       |  | CARA_07984   | C |



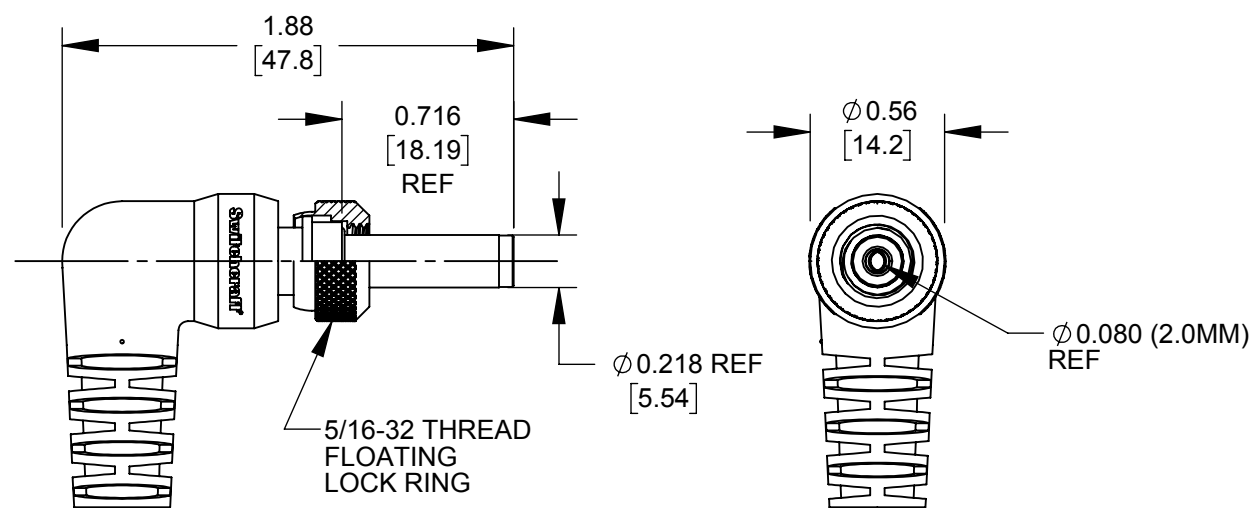
**761KS, 767KS, AND S761KS SERIES SEALED PLUGS**

761KS -  $\phi$ 0.100 (2.5MM) REF  
 767KS -  $\phi$ 0.084 (2.1MM) REF  
 S761KS -  $\phi$ 0.080 (2.0MM) REF



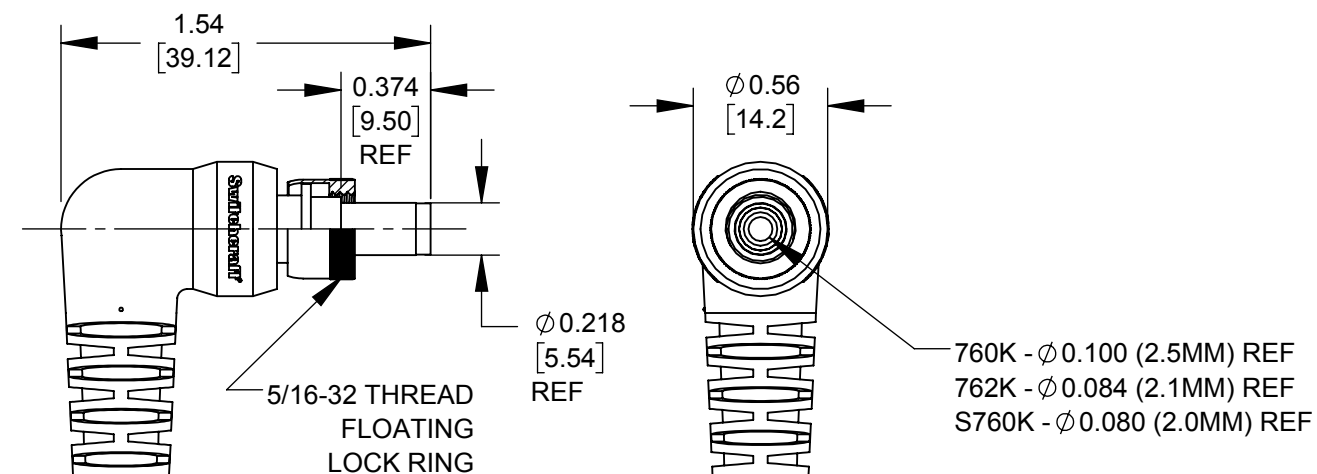
**760, 762, AND S760 SERIES NON-LOCKING POWER PLUGS**

760 -  $\phi$ 0.100 (2.5MM) REF  
 762 -  $\phi$ 0.084 (2.1MM) REF  
 S760 -  $\phi$ 0.080 (2.0MM) REF



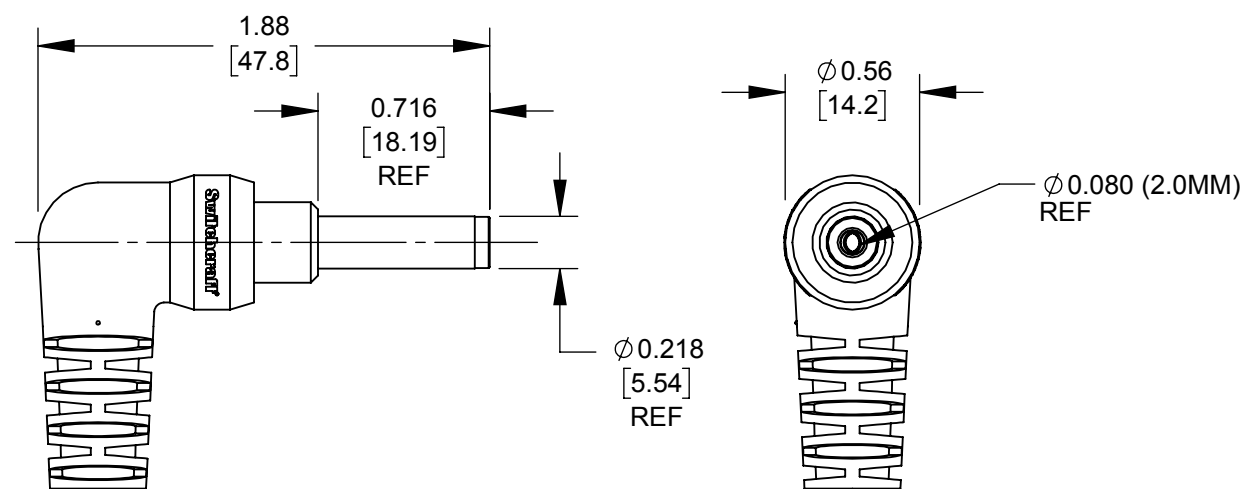
**S10KS SERIES SEALED HI-AMP PLUG**

$\phi$ 0.080 (2.0MM) REF



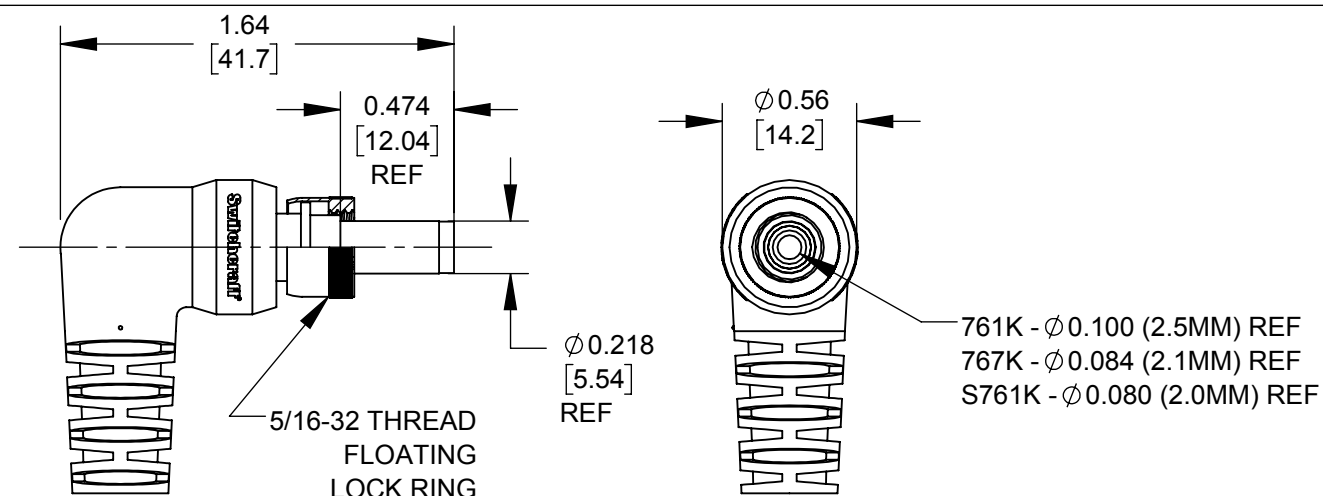
**760K, 762K, AND S760K SERIES LOCKING POWER PLUG**

760K -  $\phi$ 0.100 (2.5MM) REF  
 762K -  $\phi$ 0.084 (2.1MM) REF  
 S760K -  $\phi$ 0.080 (2.0MM) REF



**S10 SERIES NON-SEALED NON-LOCKING HI-AMP PLUG**

$\phi$ 0.080 (2.0MM) REF



**761K, 767K, AND S761K SERIES LOCKING POWER PLUGS** CUSTOMER DRAWING

761K -  $\phi$ 0.100 (2.5MM) REF  
 767K -  $\phi$ 0.084 (2.1MM) REF  
 S761K -  $\phi$ 0.080 (2.0MM) REF

|                        |                                 |          |
|------------------------|---------------------------------|----------|
| SCALE<br>1.25:1        | <b>Switchcraft</b> <sup>®</sup> |          |
| DATE DRAWN<br>08/02/17 |                                 |          |
| DRAWN BY<br>ALM        | PART No.<br>CARA 07984          | REV<br>C |