

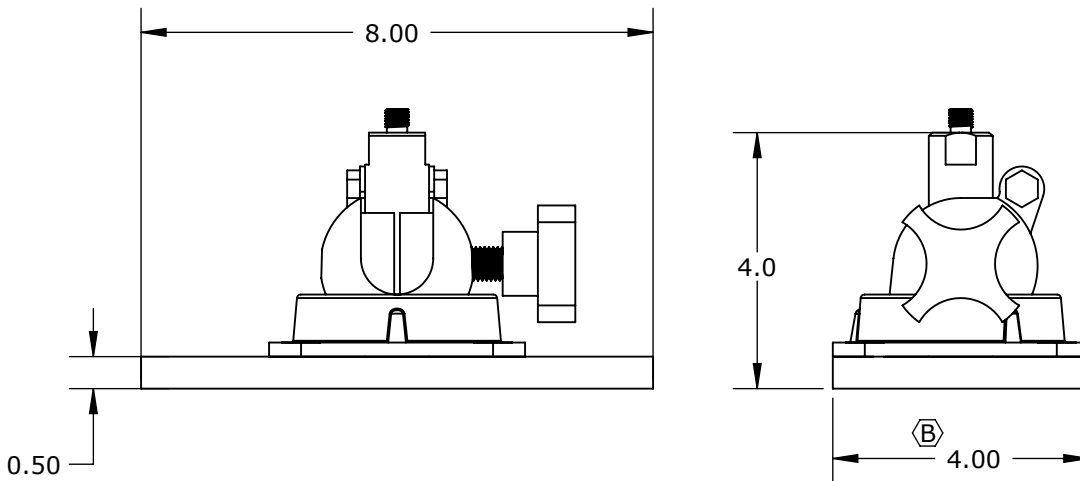
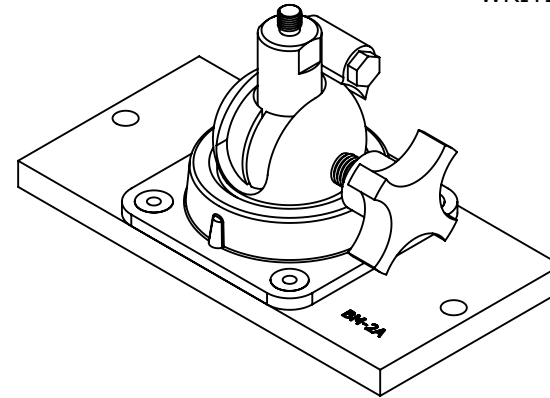
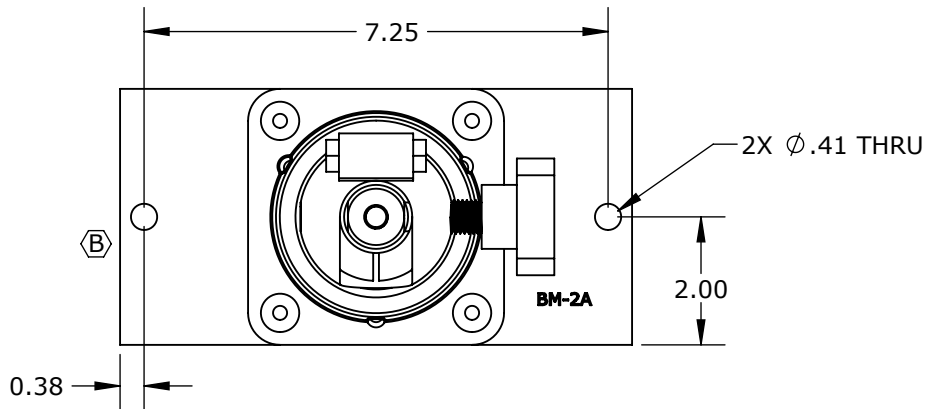
PART NUMBER: 359-3	MFG. ENG.	APPROVED BY:	DATE:	QA	APPROVED BY:	DATE:


NOTES:

1. VENDOR: DANIELS MANUFACTURING CORP.
2. VENDOR PART NO.: BM-2A
3. ALL DIMENSIONS REFERENCE ONLY
4. TO BE USED WITH PNEUMATIC CRIMPER, CXA P/N: 359-1

PROPRIETARY

THIS DOCUMENT CONTAINS CONFIDENTIAL INFORMATION PROPRIETARY TO CONXALL CORPORATION. ANY REPRODUCTION, DISCLOSURE, OR USE OF THIS DOCUMENT /INFORMATION IS EXPRESSLY PROHIBITED UNLESS AUTHORIZED IN WRITING BY CONXALL CORPORATION.



B	AN	09-01-16	VENDOR P/N WAS BM-2, UPDATED MODEL & DRAWING. PER ECR 9072	
A	BZ	01-30-09	DRAWING CREATED PER DOR 09-1201JS	
REV.	INIT.	DATE	DESCRIPTION	
<small>ALL INFORMATION ILLUSTRATED IS THE PROPERTY OF CONXALL CORPORATION. UNAUTHORIZED DUPLICATION OR DISTRIBUTION OF THIS DOCUMENT IS PROHIBITED.</small>			<small>ORIG. DRAWN BY:</small> BZ	<small>DATE:</small> 01-30-09
<small>ALL UNITS ARE IN FEET, INCHES, FRACTION OF INCHES AND DECIMALS.</small>			 601 E. WILDWOOD VILLA PARK, IL 60181	
<small>UNLESS OTHERWISE SPECIFIED TOLERANCES: 3 PLACE DECIMALS ±.005 ANGLES ±1° FRACTIONS ±1/16</small>				
<small>△ = CRITICAL CHARACTERISTIC FLAG PER SPEC. XXXX</small>			<small>CHECKED BY:</small> 	<small>TITLE:</small> ADJUSTABLE BASE MOUNT FOR PNEUMATIC CRIMPER
<small>APPROVED BY:</small> 			<small>SCALE</small> NTS	<small>SIZE</small> A
			<small>SHEET</small> 1 OF 1	<small>CUSTOMER:</small> STANDARD PRODUCT
			<small>FILE:</small> 359-3	<small>PART NUMBER:</small> 359-3
			<small>DIRECTORY:</small> SLW	<small>REV</small> B